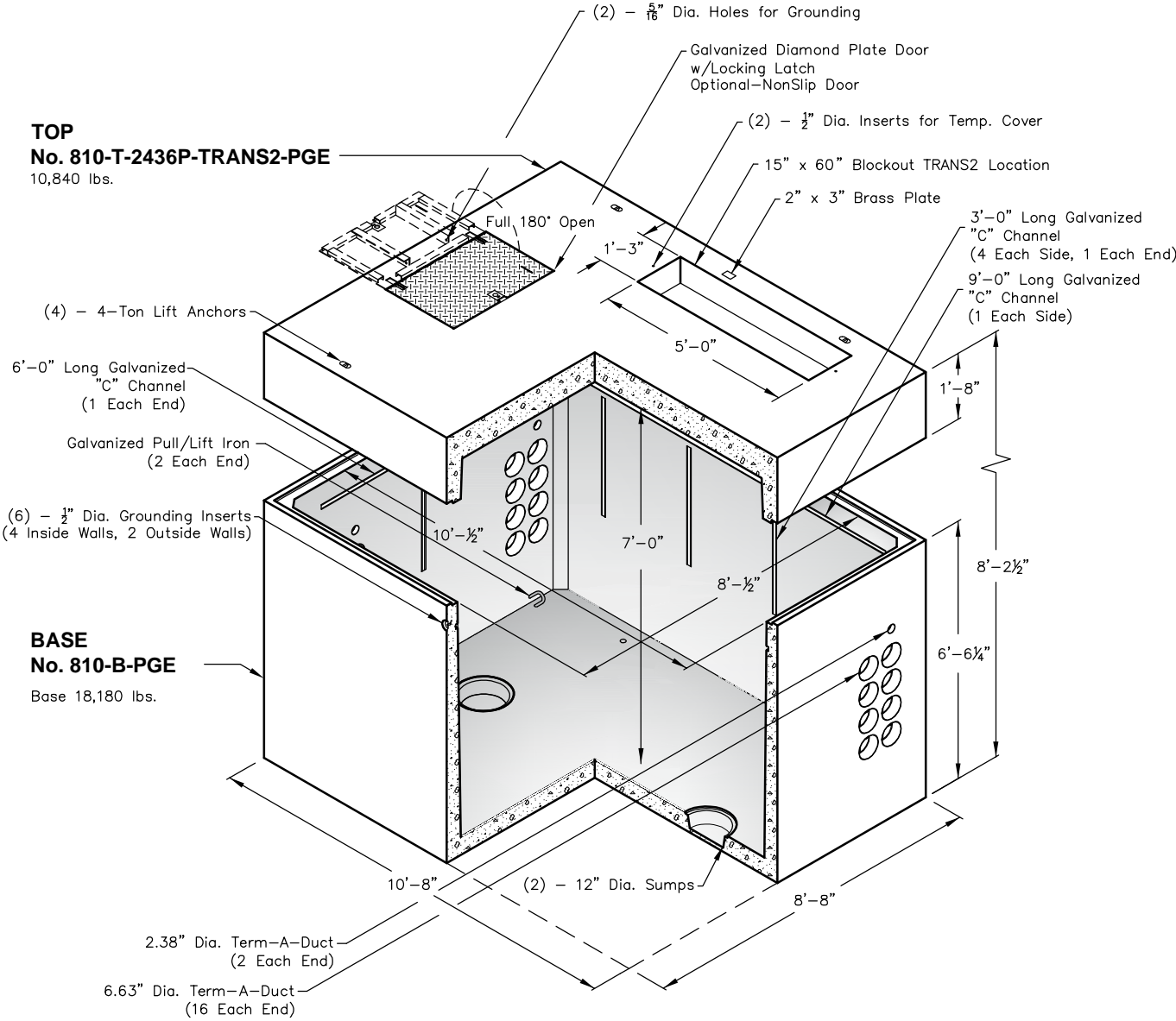



Three Phase Padmount Transformer Vault - 2000 & 2500 kVA



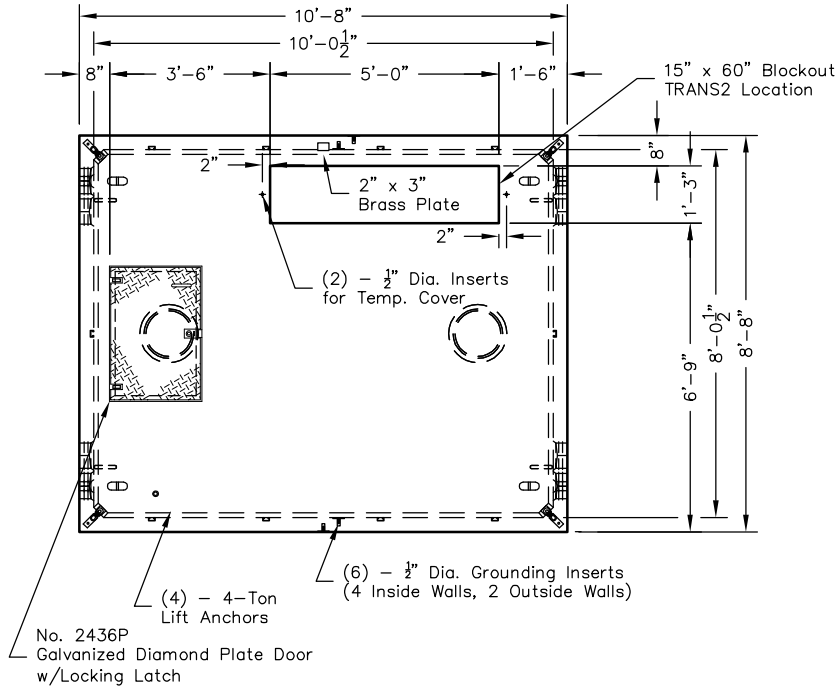
Note:
 - 6.63" to 4.5" diameter reducer bushings are available.

Note: Designed for 0 to 5'-0" of Cover

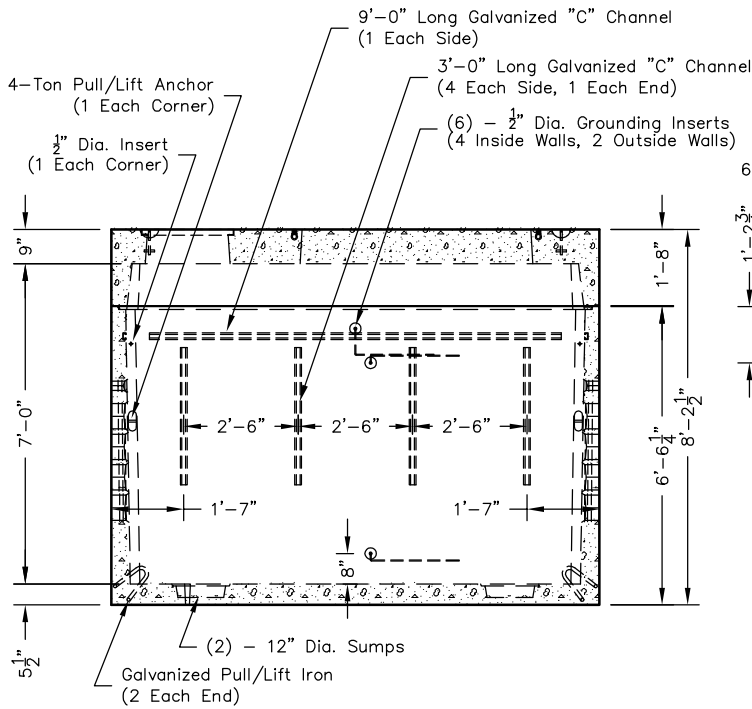
PGE L26100 1-5-12

 Oldcastle Precast® PO Box 323, Wilsonville, Oregon 97070-0323 Tel: (503) 682-2844 Fax: (503) 682-2657	810-PGE	810-PGE 104 x 128 x 99
	File Name: 020-810PGE	
	Issue Date: 2018	
	oldcastleprecast.com/wilsonville	

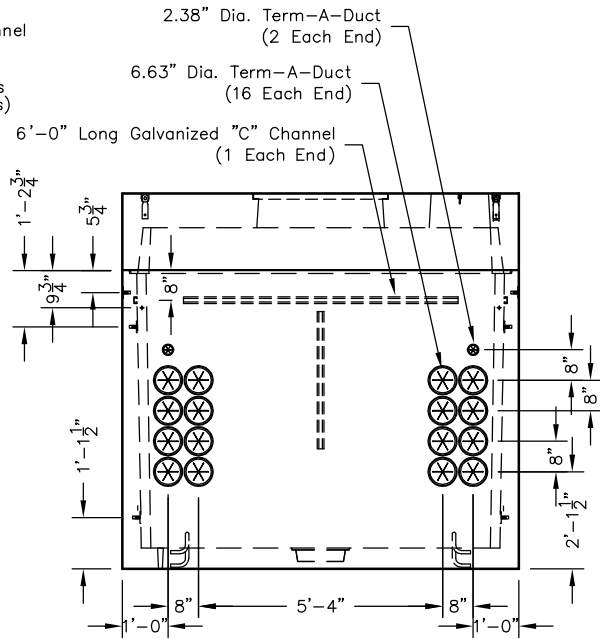
810-PGE



PLAN VIEW




SIDE VIEW



END VIEW

Note:
- 6.63" to 4.5" diameter
reducer bushings are available.

PGE L26100 1-5-12

 Oldcastle Precast® PO Box 323, Wilsonville, Oregon 97070-0323 Tel: (503) 682-2844 Fax: (503) 682-2657	810-PGE	810-PGE 104 x 128 x 99
	File Name: 020-810PGE	
	Issue Date: 2018	
	oldcastleprecast.com/wilsonville	