

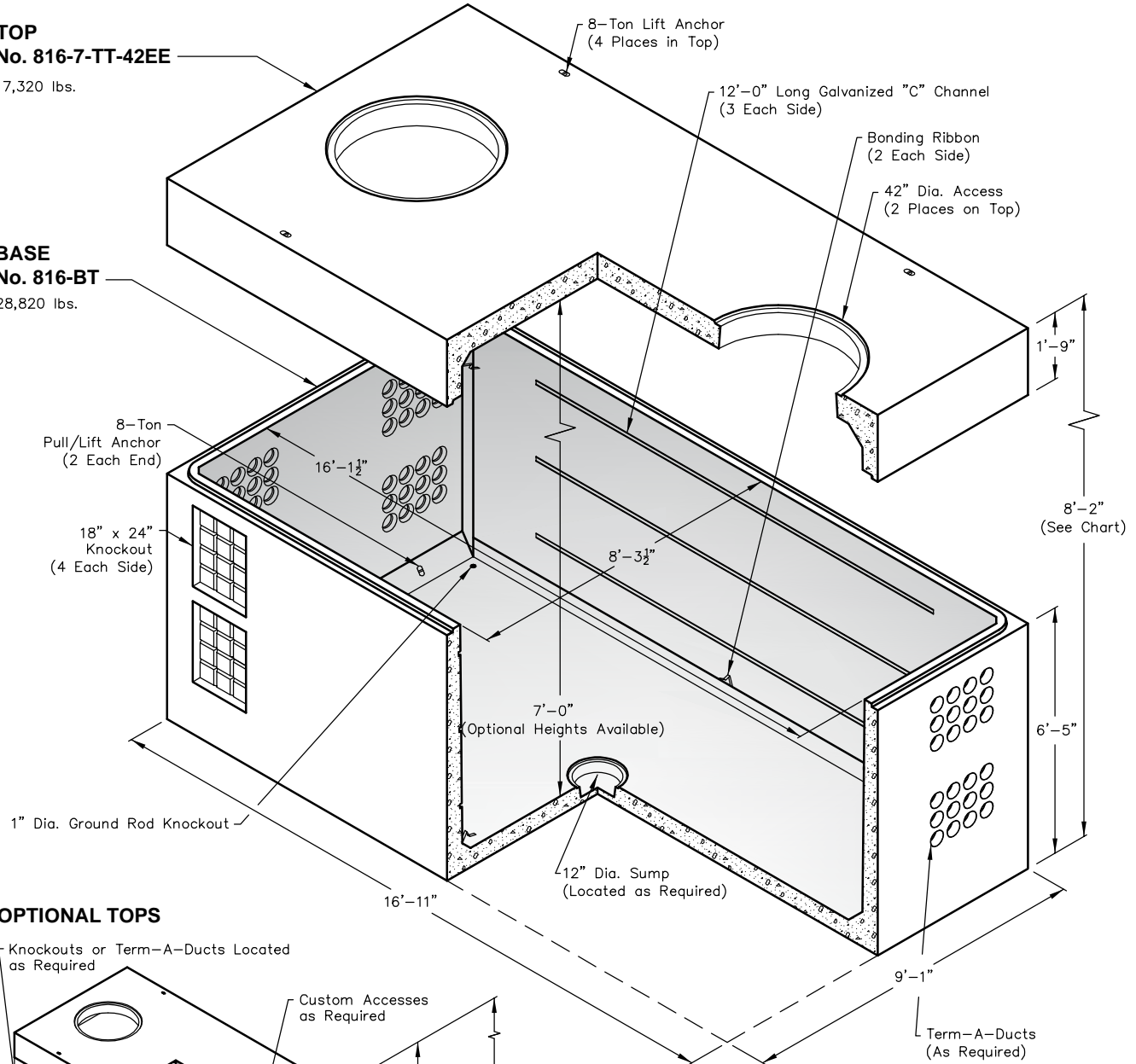
816-TA

TOP
No. 816-7-TT-42EE

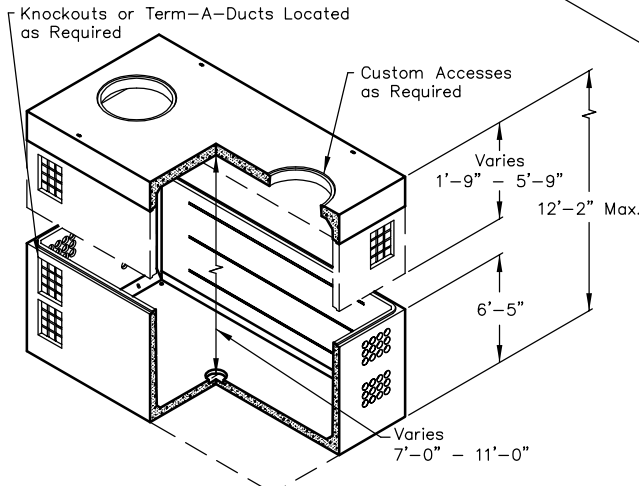
17,320 lbs.

BASE
No. 816-BT

28,820 lbs.



OPTIONAL TOPS




Note:
- Contractor is responsible for supplying crane to set and assemble vault.

VARIABLE HEIGHT CHART

Vault No.	Inside Height	Top Height	Overall Height	Max. Soil Cover
816-TA-7	7'-0"	1'-9"	8'-2"	5'-0"
816-TA-8	8'-0"	2'-9"	9'-2"	4'-0"
816-TA-9	9'-0"	3'-9"	10'-2"	3'-0"
816-TA-10	10'-0"	4'-9"	11'-2"	2'-0"
816-TA-11	11'-0"	5'-9"	12'-2"	1'-0"

Note: Designed for 0 to 5'-0" of Cover

 <p>PO Box 323, Wilsonville, Oregon 97070-0323 Tel: (503) 682-2844 Fax: (503) 682-2657</p>	<p>816-TA</p>	<p>816-TA 8 x 16 COMMUNICATIONS</p>
	File Name: 020-816TA	
	Issue Date: 2016	
	oldcastleprecast.com/wilsonville	

