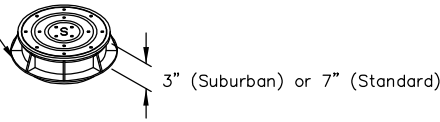


84" MANHOLE

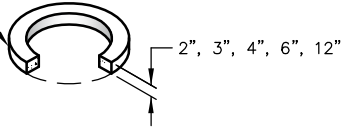
FRAME AND COVER

3" = 275 lbs.
7" = 350 lbs.



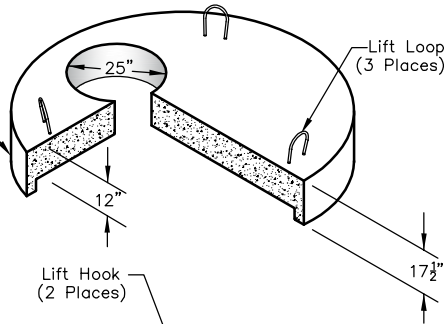
GRADE RING

2" = 80 lbs.
3" = 120 lbs.
4" = 165 lbs.
6" = 245 lbs.
12" = 490 lbs.



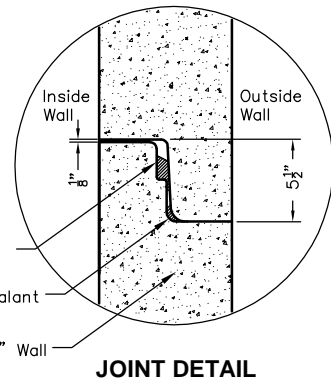
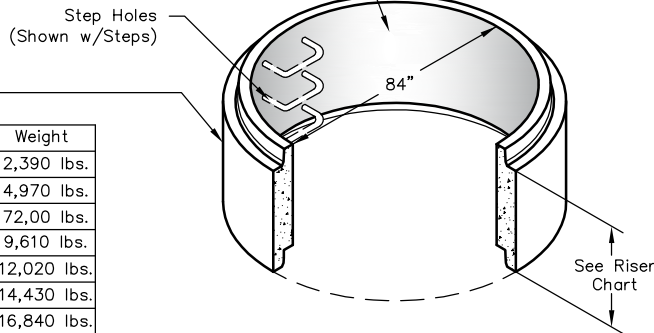
FLAT TOP

(Other Hole Sizes and Configurations Available)
7,030 lbs.



RISER

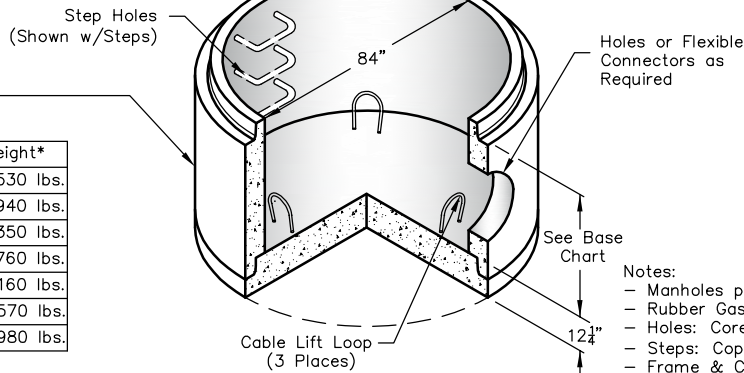
Outside Height	Weight
1'-0"	2,390 lbs.
2'-0"	4,970 lbs.
3'-0"	72,00 lbs.
4'-0"	9,610 lbs.
5'-0"	12,020 lbs.
6'-0"	14,430 lbs.
7'-0"	16,840 lbs.
8'-0"	19,250 lbs.



JOINT DETAIL

BASE

Nominal Height	Weight*
2'-0"	12,530 lbs.
3'-0"	14,940 lbs.
4'-0"	17,350 lbs.
5'-0"	19,760 lbs.
6'-0"	22,160 lbs.
7'-0"	24,570 lbs.
8'-0"	26,980 lbs.



- Notes:
- Manholes per Specification: ASTM C478
 - Rubber Gasket: ASTM C443
 - Holes: Cored or Cast as Required.
 - Steps: Copolymer Polypropylene Plastic w/#4 Bar in Center.
 - Frame & Cover: Gray Cast Iron ASTM A48 Class 30, Watertight/Tamperproof Cover Available.
 - Optional Extended Base Available.



PO Box 323, Wilsonville, Oregon 97070-0323
Tel: (503) 682-2844 Fax: (503) 682-2657

84" MANHOLE

File Name: 020-84MH

Issue Date: 2016

oldcastleprecast.com/wilsonville

84" MANHOLE