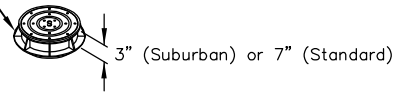


# 96" MANHOLE

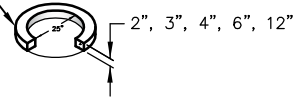
## FRAME AND COVER

3" = 275 lbs.  
7" = 350 lbs.



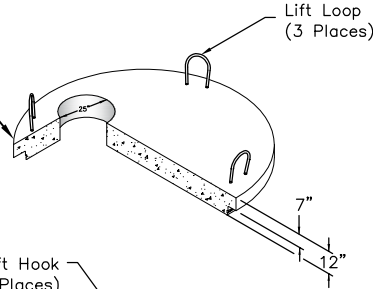
## GRADE RING

2" = 80 lbs.  
3" = 120 lbs.  
4" = 165 lbs.  
6" = 245 lbs.  
12" = 490 lbs.



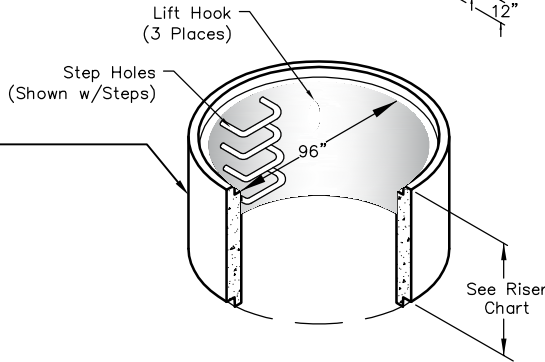
## FLAT TOP

(Other Hole Sizes and Configurations Available)  
9,360 lbs.



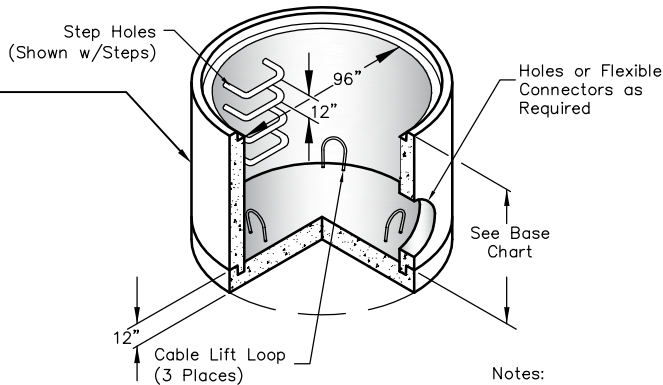
## RISER

Outside Height	Weight
2'-0"	6,160 lbs.
3'-0"	9,250 lbs.
4'-0"	12,340 lbs.
5'-0"	15,440 lbs.
6'-0"	18,530 lbs.
7'-0"	21,620 lbs.
8'-0"	24,710 lbs.



## BASE

Nominal Height	Weight*
2'-0"	15,620 lbs.
3'-0"	18,720 lbs.
4'-0"	21,810 lbs.
5'-0"	24,900 lbs.
6'-0"	27,990 lbs.
7'-0"	31,090 lbs.
8'-0"	34,180 lbs.



- Notes:
- Manholes per Specification: ASTM C478
  - Rubber Gasket: ASTM C443
  - Holes: Cored or Cast as Required.
  - Steps: Copolymer Polypropylene Plastic w/#4 Bar in Center.
  - Frame & Cover: Gray Cast Iron ASTM A48 Class 30, Watertight/Tamperproof Cover Available.
  - Optional Extended Base Available.



PO Box 323, Wilsonville, Oregon 97070-0323  
Tel: (503) 682-2844 Fax: (503) 682-2657

## 96" MANHOLE

File Name: 020-96MH

Issue Date: 2016

[oldcastleprecast.com/wilsonville](http://oldcastleprecast.com/wilsonville)

## 96" MANHOLE