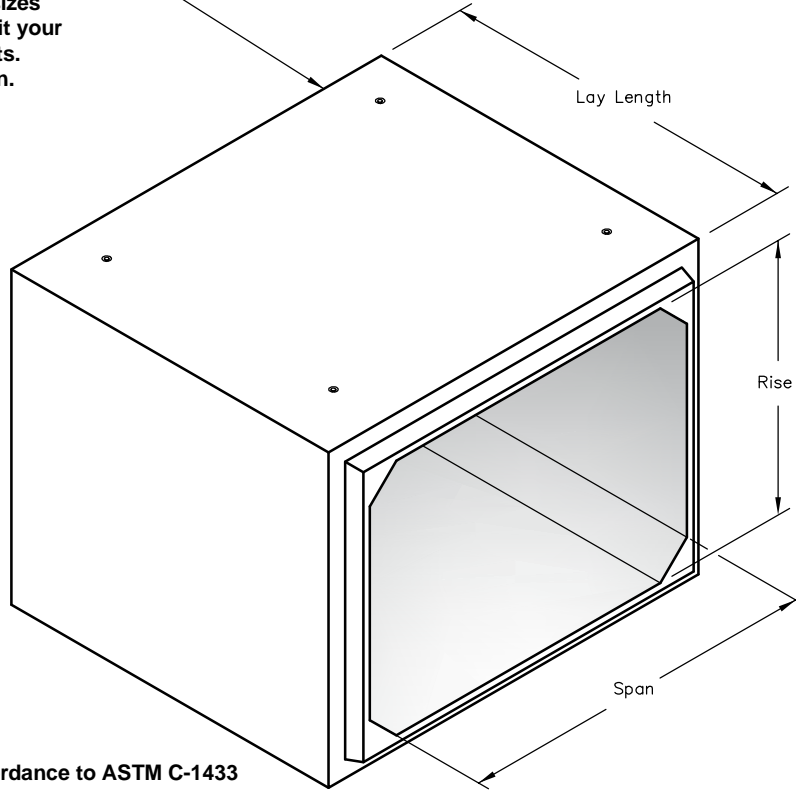


BOX CULVERT

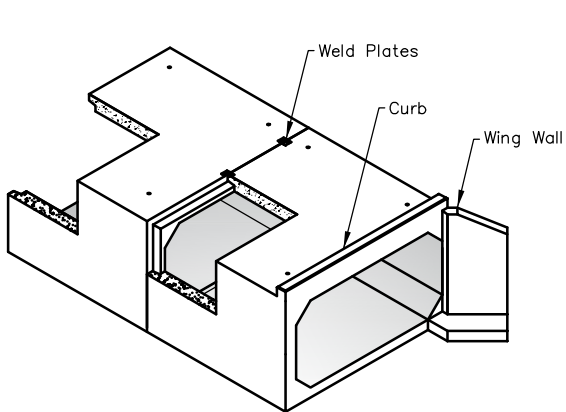
BOX CULVERT SECTION

- Available in many sizes and designed to suit your project requirements.
- Call for consultation.

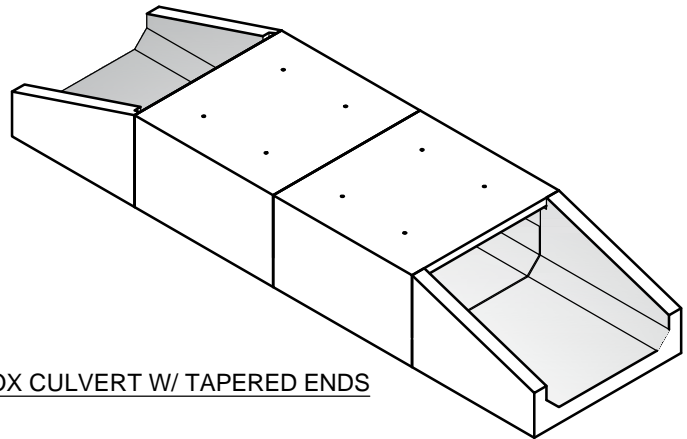


4-Sided Box Culvert


- Manufactured in accordance to ASTM C-1433



BOX CULVERT W/ END TREATMENT



BOX CULVERT W/ TAPERED ENDS

 Oldcastle Precast® PO Box 323, Wilsonville, Oregon 97070-0323 Tel: (503) 682-2844 Fax: (503) 682-2657	BOX CULVERT	BOX CULVERT
	File Name: 020-BOX-CULVERT	
	Issue Date: 2018	
	oldcastleprecast.com/wilsonville	