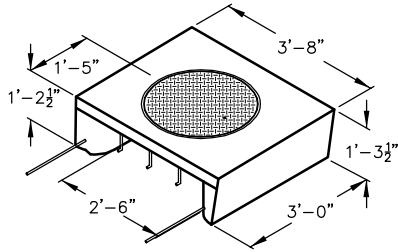
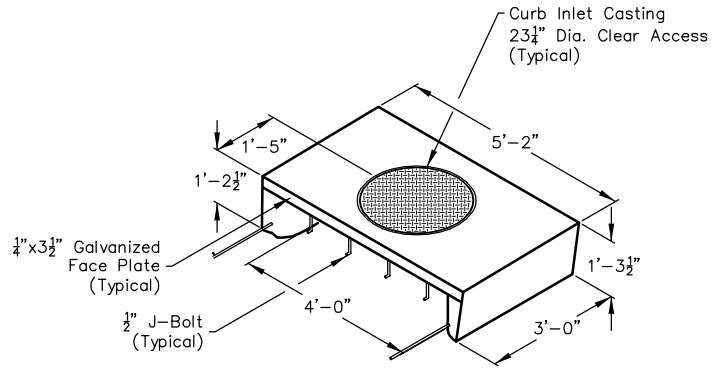


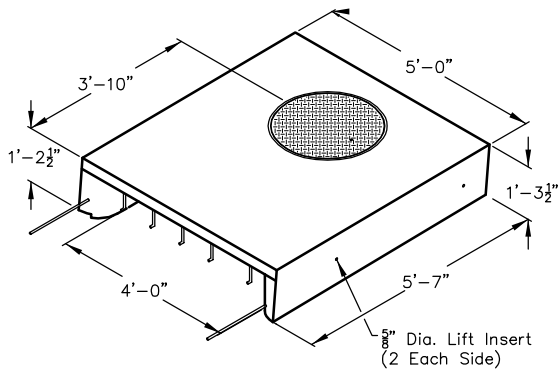
CURB INLET TOPS



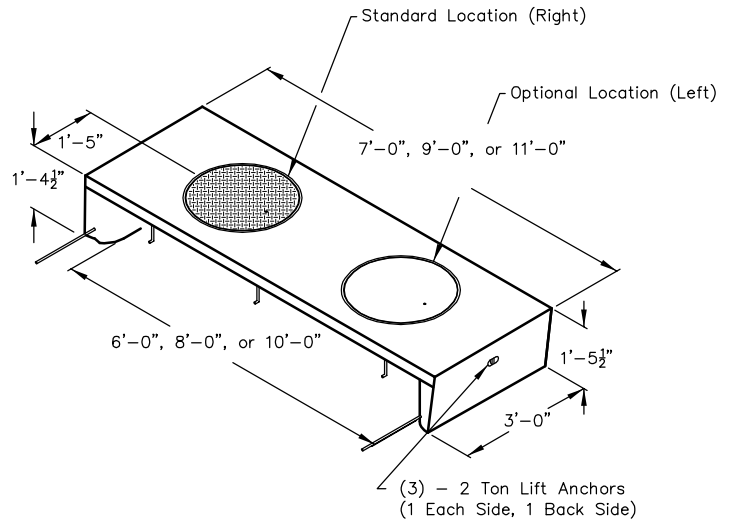
30"
No. CI-30-23FC
 1,075 lbs.



48"
No. CI-48-23FC
 1,375 lbs.



48" MH
No. CI-48MH-23FC
 2,375 lbs.



VARIABLE 6', 8', & 10' MH
No. CI-VARMH-23FC

- 6'-0" = 2,100 lbs.
- 8'-0" = 2,880 lbs.
- 10'-0" = 3,520 lbs.



PO Box 323, Wilsonville, Oregon 97070-0323
 Tel: (503) 682-2844 Fax: (503) 682-2657

CURB INLET TOPS

File Name: 020-CURB-INLETS

Issue Date: 2016

oldcastleprecast.com/wilsonville

CURB INLET TOPS