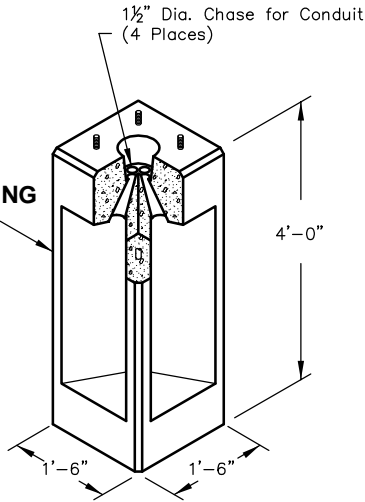


LAMP POLE FOOTINGS-PGE

LAMP POLE FOOTING No. 4-LB-PGE

1,080 lbs.

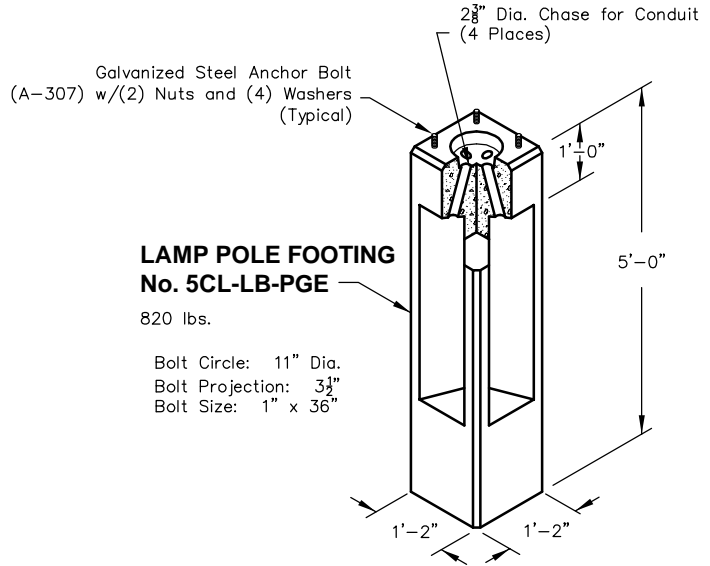
Bolt Circle: 8" Dia.
Bolt Projection: 2¼"
Bolt Size: ¾" x 30"



LAMP POLE FOOTING No. 5CL-LB-PGE

820 lbs.

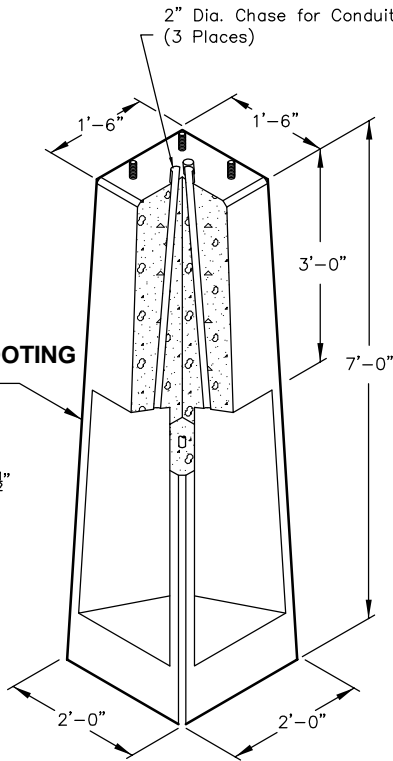
Bolt Circle: 11" Dia.
Bolt Projection: 3½"
Bolt Size: 1" x 36"



LAMP POLE FOOTING No. 7-LB-PGE

2,500 lbs.

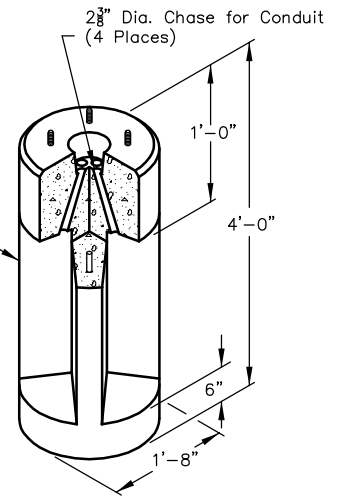
Bolt Circle: 11"
Bolt Projection: 3½"
Bolt Size: 1" x 36"



LAMP POLE FOOTING No. 20R-LB-PGE

870 lbs.

Bolt Circle: 11"
Bolt Projection: 3½"
Bolt Size: 1" x 36"



Note:

- Customer is responsible for setting lamp pole footing.



PO Box 323, Wilsonville, Oregon 97070-0323
Tel: (503) 682-2844 Fax: (503) 682-2657

L. POLE FOOTINGS-PGE

File Name: 020-LBPGE

Issue Date: 2018

oldcastleprecast.com/wilsonville

LAMP POLE FOOTINGS PGE