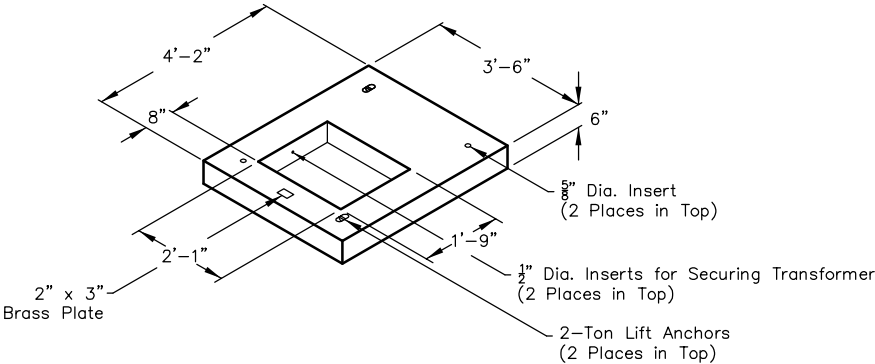


# PADMOUNTS-PGE

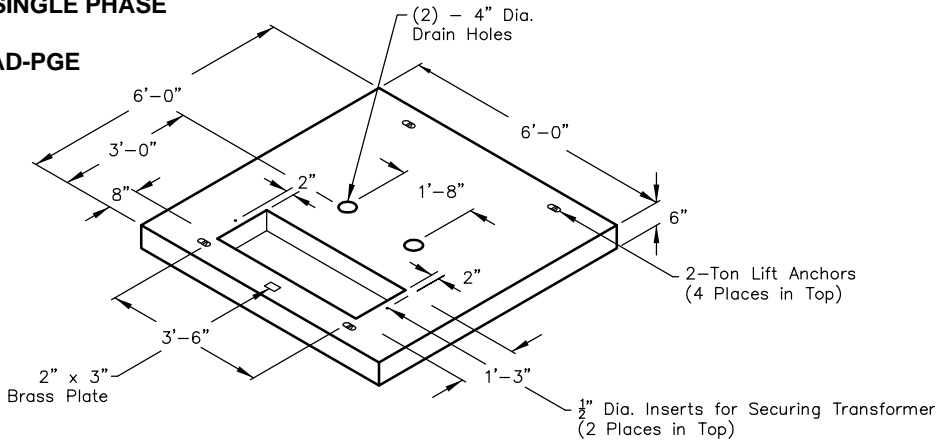


**TRANSFORMER PADMOUNT - SINGLE PHASE**

**25 - 75 kVA**

**No. 4250-2125-TRANSPAD-PGE**

810 lbs.

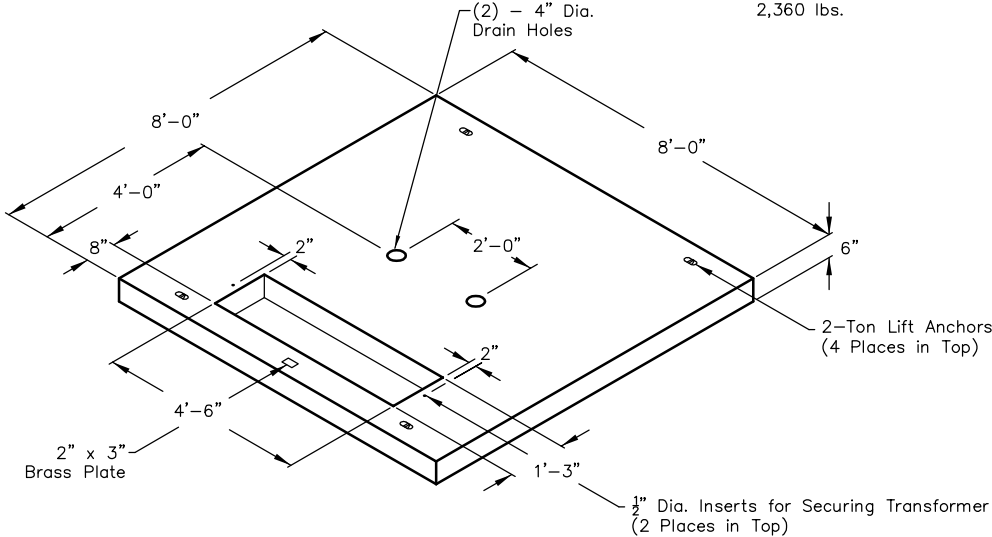


**TRANSFORMER PADMOUNT - THREE PHASE**

**75 - 300 kVA**

**No. 7272-1542-TRANSPAD-PGE**

2,360 lbs.




**TRANSFORMER PADMOUNT - THREE PHASE**

**500 - 1500 kVA**

**No. 9696-1554-TRANSPAD-PGE**

3,250 lbs.

PGE L26105 7-9-13

 <p>PO Box 323, Wilsonville, Oregon 97070-0323 Tel: (503) 682-2844 Fax: (503) 682-2657</p>	<p><b>PADMNTS.-PGE</b></p>	<p><b>PADMOUNTS-PGE</b></p>
	<p>File Name: 020-LBPGE</p>	
	<p>Issue Date: 2018</p>	
	<p><a href="http://oldcastleprecast.com/wilsonville">oldcastleprecast.com/wilsonville</a></p>	