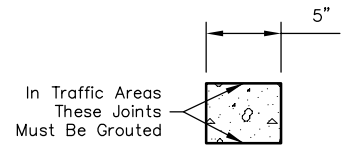
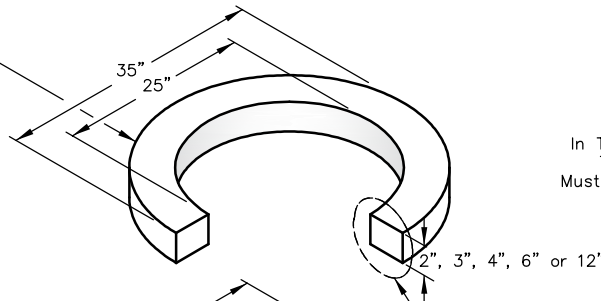


ROUND RISERS

25" DIAMETER RISER

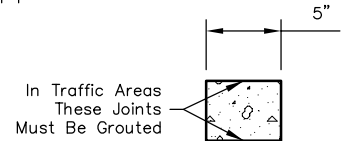
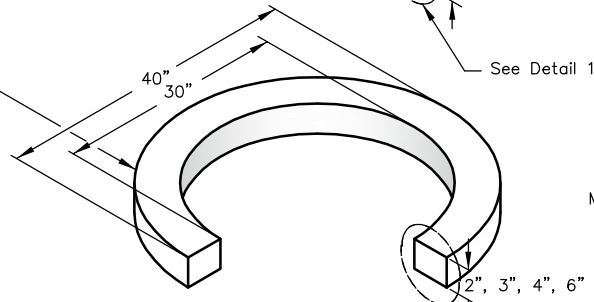
Catalog No.	Ht.	Wt.
No. 2502	2"	80 lbs.
No. 2503	3"	125 lbs.
No. 2504	4"	165 lbs.
No. 2506	6"	245 lbs.
No. 2512	12"	490 lbs.



Detail 1

30" DIAMETER RISER

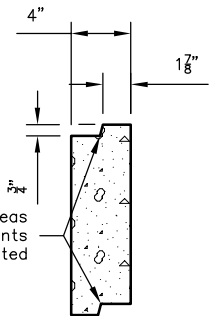
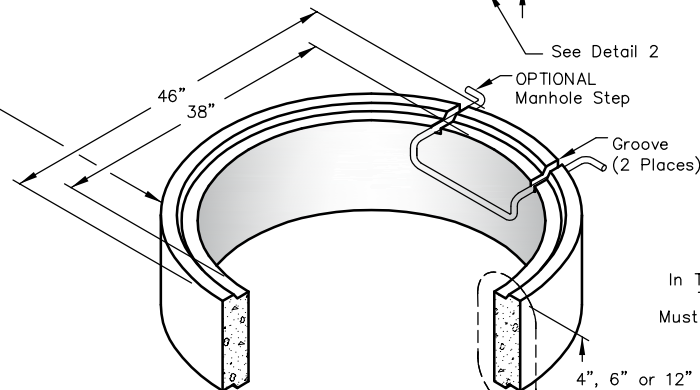
Catalog No.	Ht.	Wt.
No. 3002	2"	95 lbs.
No. 3003	3"	145 lbs.
No. 3004	4"	190 lbs.
No. 3006	6"	285 lbs.



Detail 2

38" DIAMETER RISER

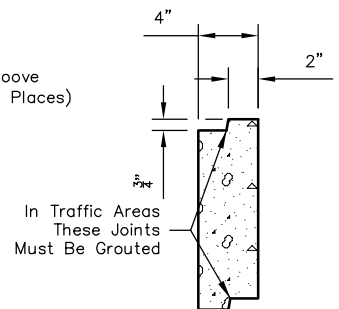
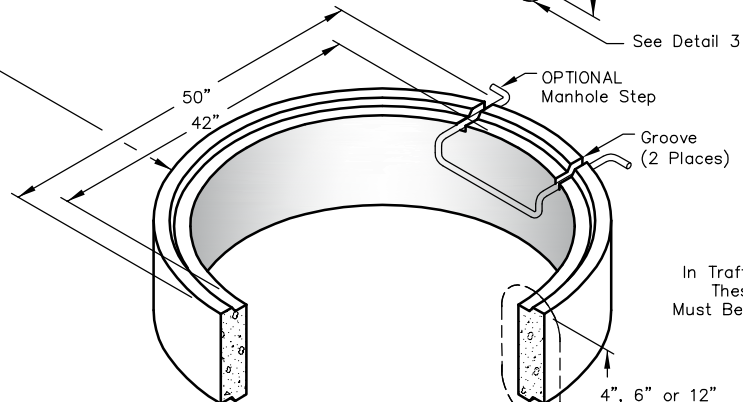
Catalog No.	Ht.	Wt.
No. 3804	4"	190 lbs.
No. 3806	6"	280 lbs.
No. 3812	12"	550 lbs.



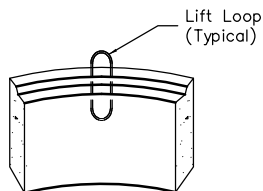
Detail 3

42" DIAMETER RISER


Catalog No.	Ht.	Wt.
No. 4204	4"	205 lbs.
No. 4206	6"	305 lbs.
No. 4212	12"	605 lbs.



Detail 4



Lift Loop Detail

 Oldcastle Precast® PO Box 323, Wilsonville, Oregon 97070-0323 Tel: (503) 682-2844 Fax: (503) 682-2657	ROUND RISERS	25" / 30" / 38" / 42" ROUND RISERS
	File Name: 020-RNDRSRS	
	Issue Date: 2016	
	oldcastleprecast.com/wilsonville	