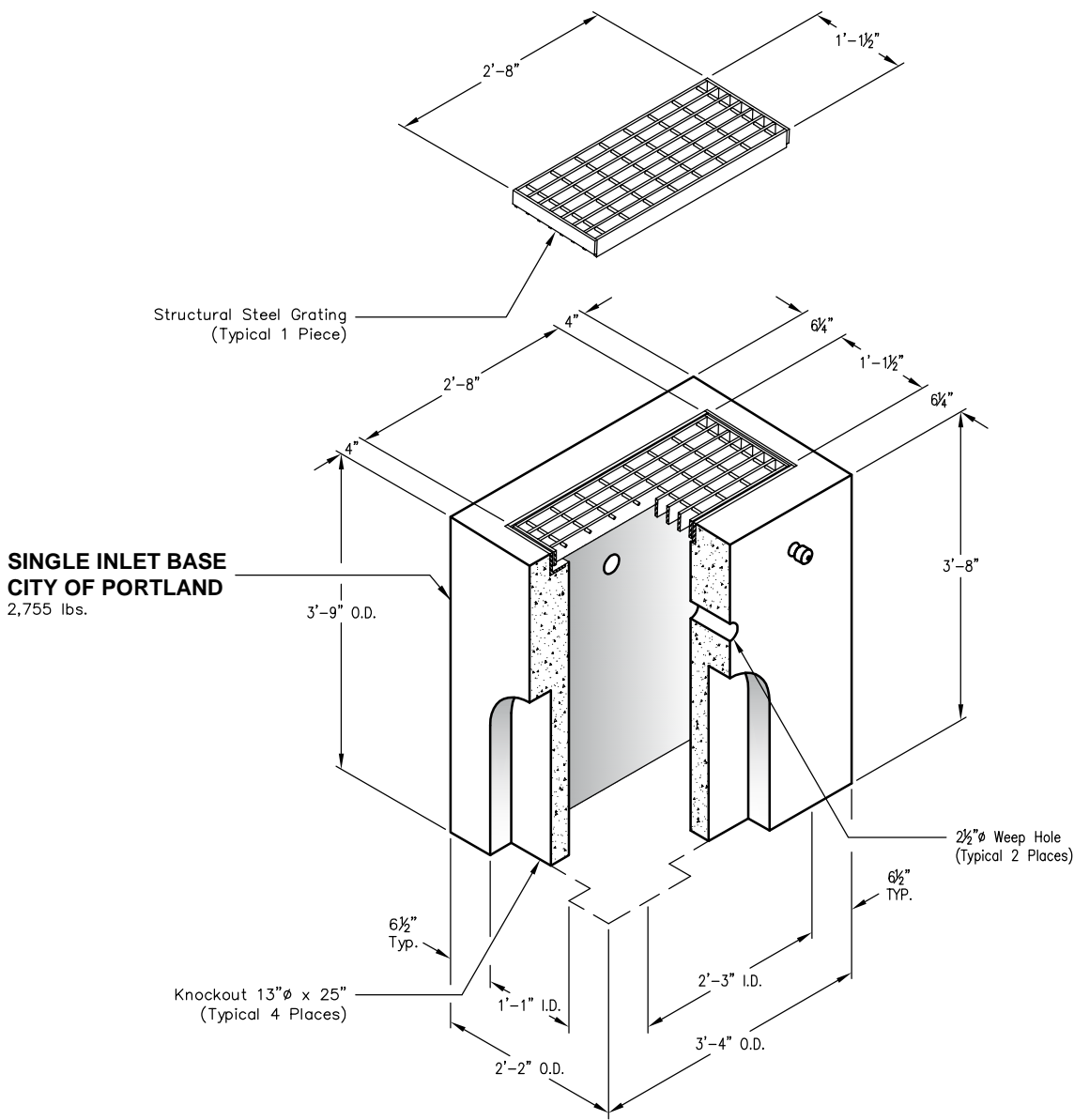



CITY OF PORTLAND SINGLE INLET



- NOTES:**
1. MEETS CITY OF PORTLAND STANDARD DETAIL NO. P-201.
 2. ALL DIMENSIONS SUBJECT TO ALLOWABLE SPECIFICATION TOLERANCES.

 <p>PO Box 323, Wilsonville, Oregon 97070-0323 Tel: (503) 682-2844 Fax: (503) 682-2657</p>	COP SINGLE INLET	CITY OF PORTLAND SINGLE INLET
	File Name: 020-SINGLE INLET	
	Issue Date: 2016	
	oldcastleprecast.com/wilsonville	