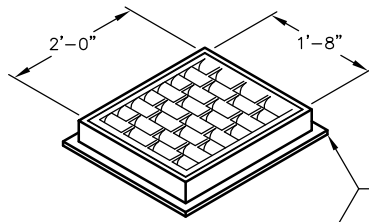
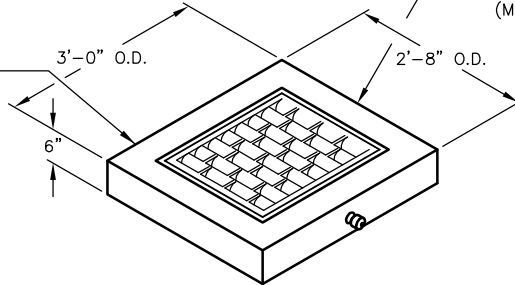


# WSDOT TYPE 1L

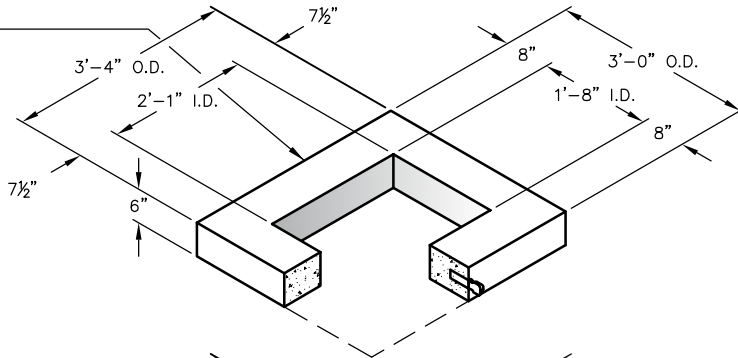


Frame and Grate Available Separately or  
w/ Frame Cast into 6" Concrete Slab  
(Meets Clark County, Wa. Specification)

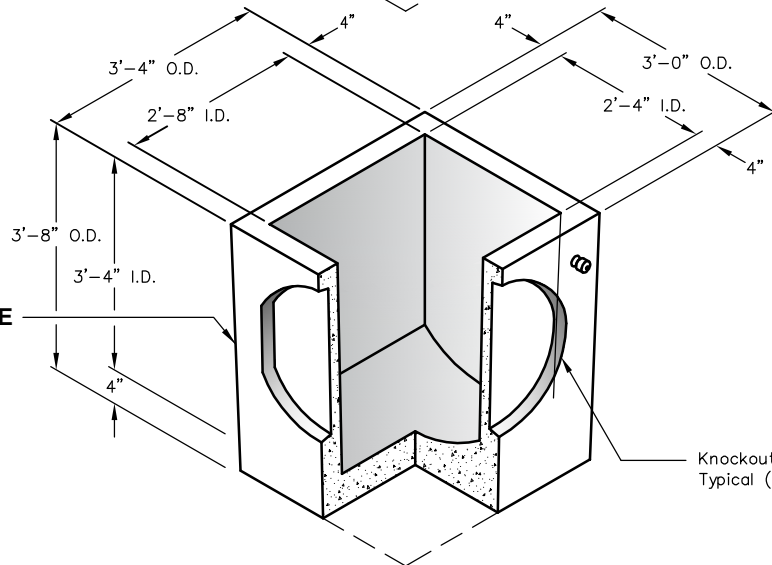
**WSDOT TYPE 1L TOP**  
400 lbs.



**WSDOT TYPE 1L RISER**  
490 lbs.




**WSDOT TYPE 1L BASE**  
2,480 lbs.



**NOTES:**

1. MEETS WSDOT SPECIFICATIONS STANDARD PLAN B-5.40-01.
2. ALL DIMENSIONS SUBJECT TO ALLOWABLE SPECIFICATION TOLERANCES.
3. REFER TO BACK PAGE FOR OPTIONAL TOP UNITS.

 <p>PO Box 323, Wilsonville, Oregon 97070-0323 Tel: (503) 682-2844 Fax: (503) 682-2657</p>	<b>WSDOT TYPE 1L</b>	<b>WSDOT TYPE 1L CATCH BASIN</b>
	File Name: 020-TYPE 1L-WSDOT	
	Issue Date: 2016	
	<a href="http://oldcastleprecast.com/wilsonville">oldcastleprecast.com/wilsonville</a>	