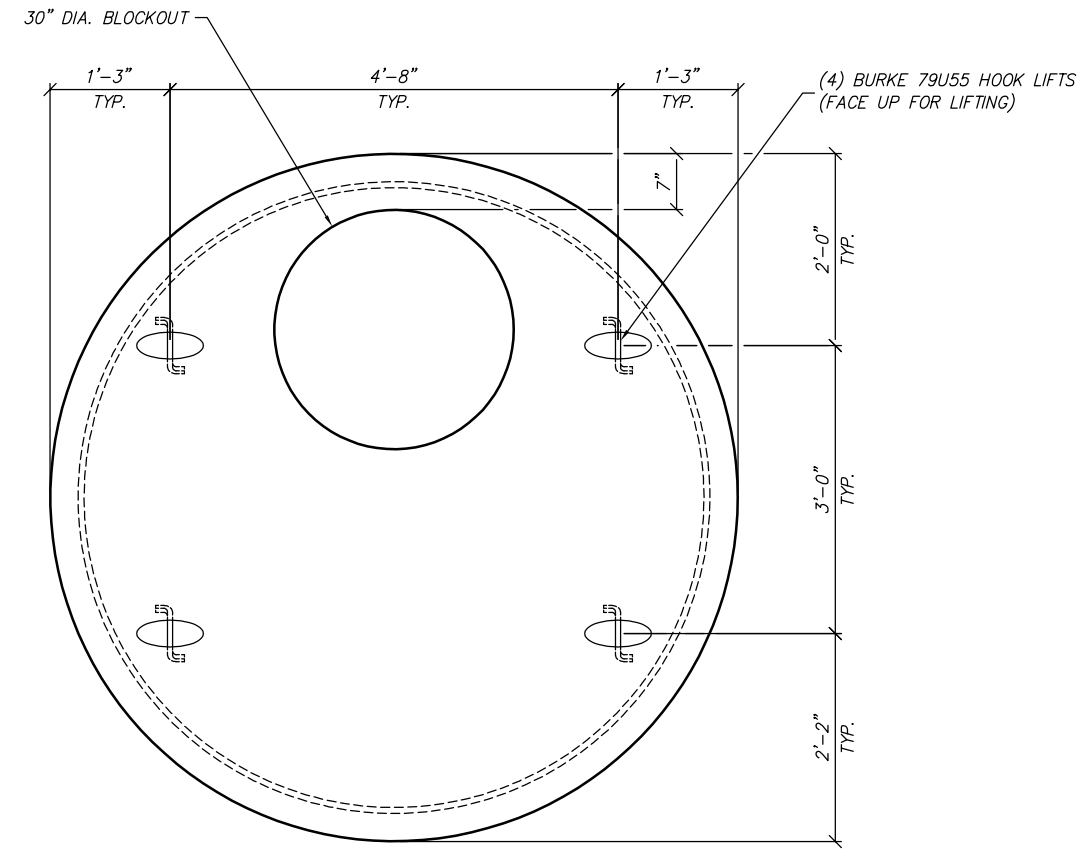
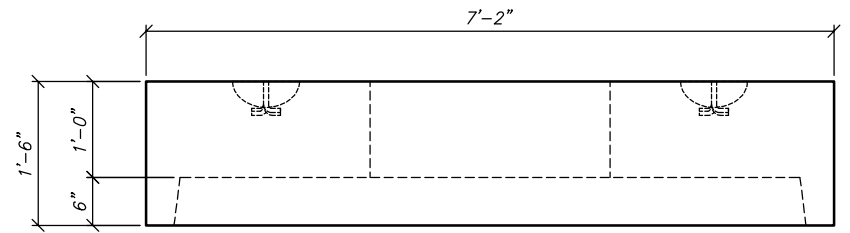


REV	DESCRIPTION	BY	DATE
A	NCS UPDATES	CP	7/6/17



PLAN VIEW
SCALE: 1/2" = 1'-0"



SIDE VIEW
SCALE: 1/2" = 1'-0"



THIS DOCUMENT IS THE PROPERTY OF OLDCASTLE PRECAST, INC. IT IS CONFIDENTIAL, SUBMITTED FOR REFERENCE PURPOSES ONLY, AND SHALL NOT BE USED IN ANY WAY INJURIOUS TO THE INTERESTS OF, OR WITHOUT THE WRITTEN PERMISSION OF OLDCASTLE PRECAST, INC. COPYRIGHT ©2017 OLDCASTLE PRECAST, INC ALL RIGHTS RESERVED

MH 72 FLAT TOP W/30 OPENING
72" SPECIAL / FLAT TOP

CUSTOMER
STANDARD

DATE	SALES	DRAWN	ENGINEER	CHECKED	SALES ORDER
7/30/13		AT			

WEIGHT	5,840	LBS.
VOLUME	1.44	YD ³

DRAWING NUMBER	REVISION	SHEET
040-072FT-001	REV DATE	1 OF 1