

48" $\phi$ SHAFT	
H	WEIGHT LBS.
12"	1060
15"	1325
18"	1590
21"	1855
24"	2121
27"	2386
30"	2651
33"	2916
36"	3181
39"	3446
42"	3711
45"	3976
48"	4241
51"	4506
54"	4771
57"	5036
60"	5301
63"	5566
66"	5831
69"	6096
72"	6362
75"	6627

IF STEPS ARE USED, STANDARD STEP VERTICAL SPACING IS 15" C-C.



**Oldcastle Precast®**

Southern California  
 Fontana ■ Lakeside ■ Perris ■ San Diego ■ Santa Paula  
 Phone: 800-626-3860 Fax: 877-797-0750

**48"  $\phi$  MH SHAFT**

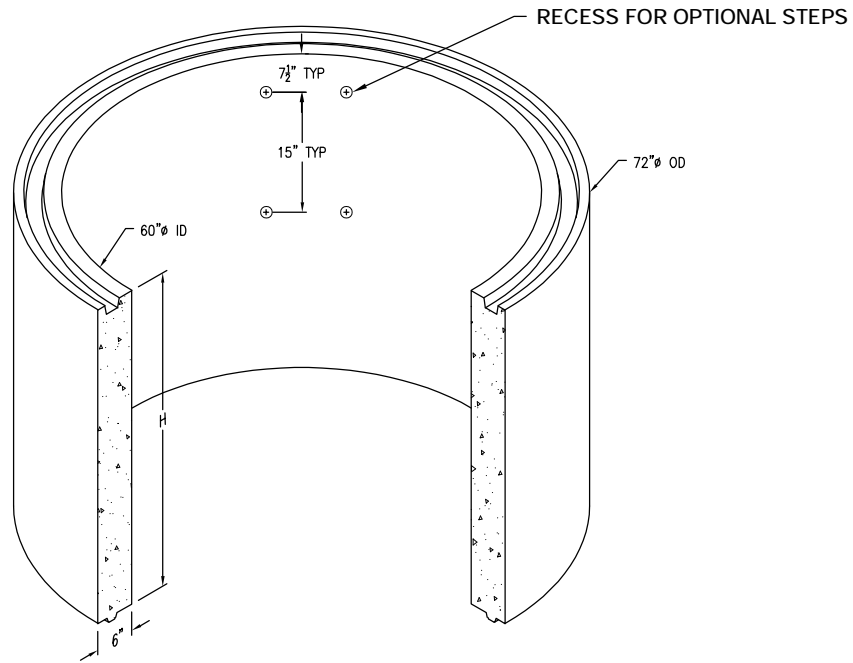
FILE NAME: 07048MHSHAFT.DWG

REVISED: Jan-18

[www.oldcastleprecast.com](http://www.oldcastleprecast.com)

**48"  $\phi$  MANHOLE SHAFT**

Copyright © 2018 Oldcastle Precast, Inc.®



60"Ø SHAFT	
H	WEIGHT LBS.
12"	1296
15"	1620
18"	1944
21"	2268
24"	2592
27"	2916
30"	3240
33"	3564
36"	3888
39"	4212
42"	4536
45"	4860
48"	5183
51"	5507
54"	5831
57"	6155
60"	6479

IF STEPS ARE USED, STANDARD STEP VERTICAL SPACING IS 15" C-C.



**Oldcastle Precast®**

Southern California  
 Fontana ■ Lakeside ■ Perris ■ San Diego ■ Santa Paula  
 Phone: 800-626-3860 Fax: 877-797-0750

**60"Ø MH SHAFT**

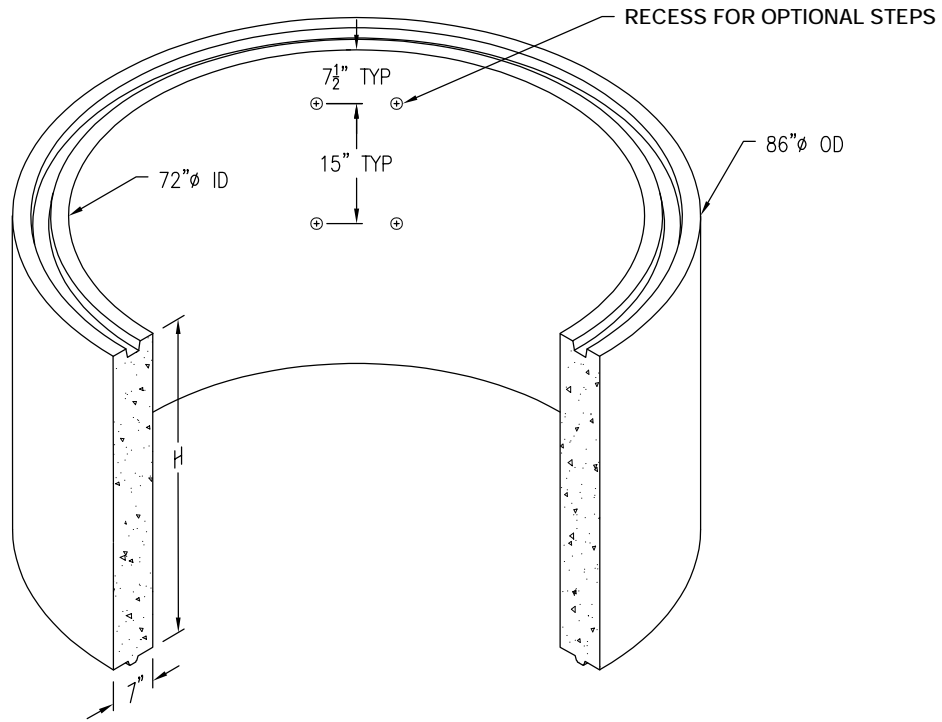
FILE NAME: 07060MHSHAFT.DWG

REVISED: Dec-17

[www.oldcastleprecast.com](http://www.oldcastleprecast.com)

**60"Ø MANHOLE SHAFT**

Copyright © 2017 Oldcastle Precast, Inc.®



72"Ø SHAFT	
H	WEIGHT LBS.
15"	2262
18"	2714
21"	3167
24"	3619
27"	4072
30"	4524
33"	4976
36"	5429
39"	5881
42"	6334
45"	6786
48"	7239
51"	7691
54"	8143
57"	8596
60"	9048
63"	9501
66"	9953
69"	10405
72"	10858
75"	11310

IF STEPS ARE USED, STANDARD STEP VERTICAL SPACING IS 15" C-C.



**Oldcastle Precast®**

Southern California  
 Fontana ■ Lakeside ■ Perris ■ San Diego ■ Santa Paula  
 Phone: 800-626-3860 Fax: 877-797-0750

**72"Ø MH SHAFT**

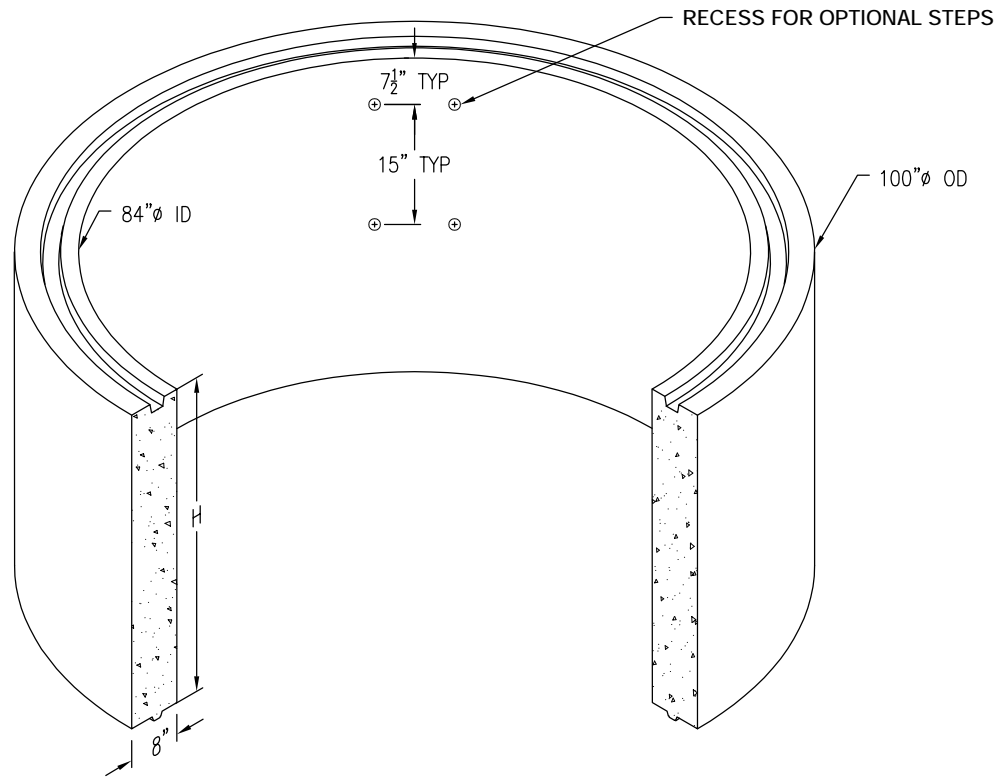
FILE NAME: 07072MHSHAFT.DWG

REVISED: Dec-17

[www.oldcastleprecast.com](http://www.oldcastleprecast.com)

**72"Ø MANHOLE SHAFT**

Copyright © 2017 Oldcastle Precast, Inc.®



84"Ø SHAFT	
H	WEIGHT LBS.
15"	3011
18"	3613
21"	4215
24"	4817
27"	5419
30"	6021
33"	6623
36"	7225
39"	7828
42"	8430
45"	9032
48"	9634
51"	10236
54"	10838
57"	11440
60"	12042

IF STEPS ARE USED, STANDARD STEP VERTICAL SPACING IS 15" C-C.



**Oldcastle Precast®**

Southern California  
 Fontana ■ Lakeside ■ Perris ■ San Diego ■ Santa Paula  
 Phone: 800-626-3860 Fax: 877-797-0750

**84"Ø MH SHAFT**

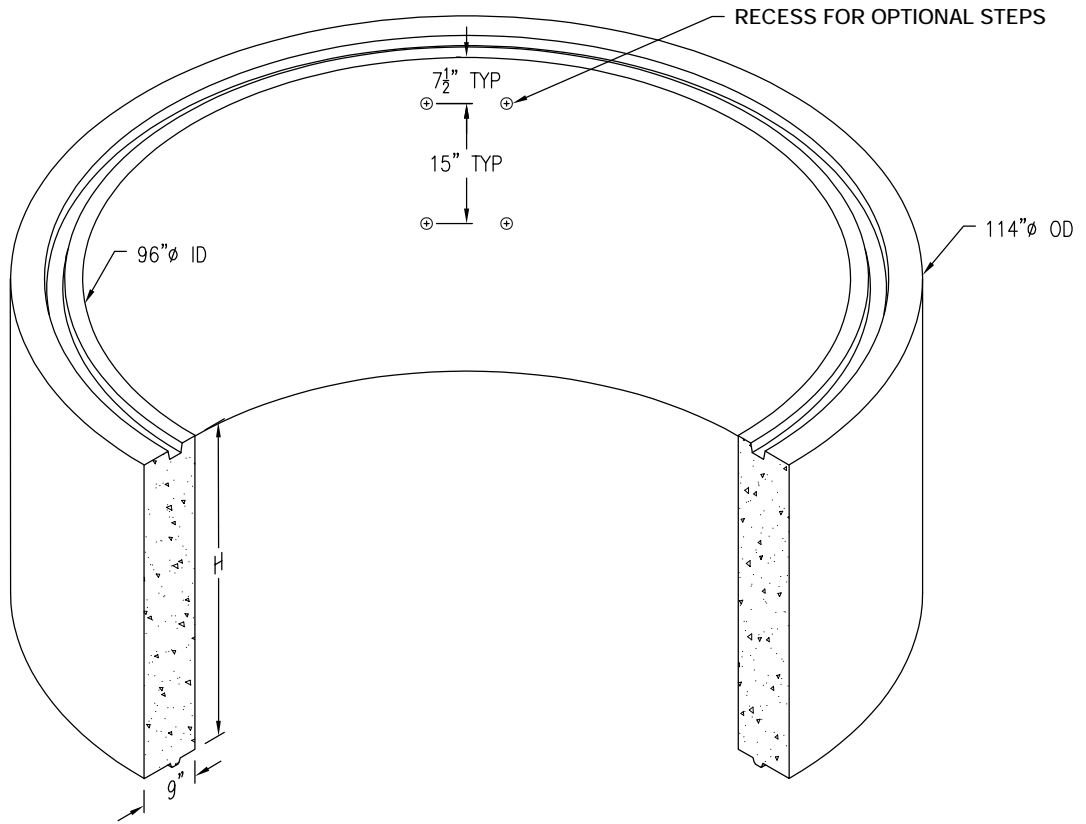
FILE NAME: 07084MHSHAFT.DWG

REVISED: Dec-17

[www.oldcastleprecast.com](http://www.oldcastleprecast.com)

**84"Ø MANHOLE SHAFT**

Copyright © 2017 Oldcastle Precast, Inc.®



96"Ø SHAFT	
H	WEIGHT LBS.
12"	3092
15"	3866
18"	4639
21"	5412
24"	6185
27"	6958
30"	7731
33"	8504
36"	9277
39"	10050
42"	10823
45"	11597
48"	12370
51"	13143
54"	13916
57"	14689
60"	15462

IF STEPS ARE USED, STANDARD STEP VERTICAL SPACING IS 15" C-C.



**Oldcastle Precast®**

Southern California  
 Fontana ■ Lakeside ■ Perris ■ San Diego ■ Santa Paula  
 Phone: 800-626-3860 Fax: 877-797-0750

**96"Ø MH SHAFT**

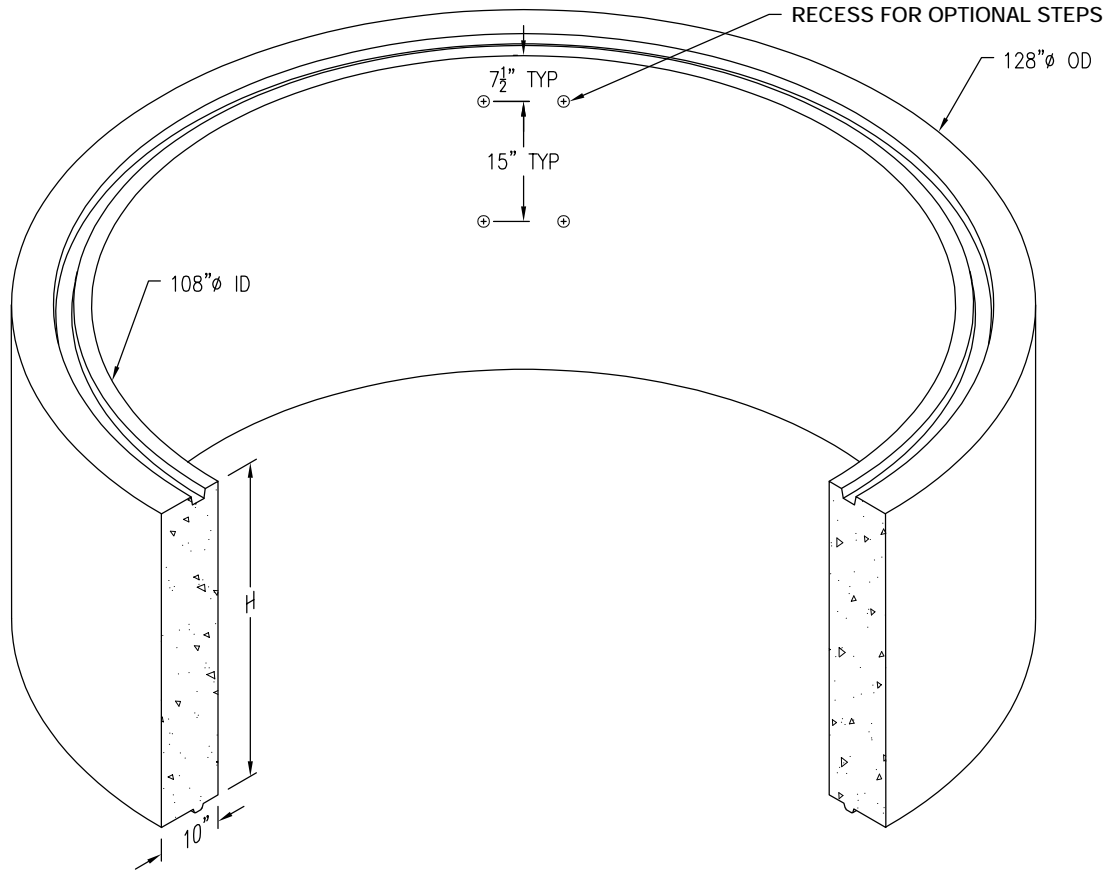
FILE NAME: 07096MHSHAFT.DWG

REVISED: Dec-17

[www.oldcastleprecast.com](http://www.oldcastleprecast.com)

**96"Ø MANHOLE SHAFT**

Copyright © 2017 Oldcastle Precast, Inc.®



108"Ø SHAFT	
H	WEIGHT LBS.
12"	3861
15"	4827
18"	5792
21"	6757
24"	7723
27"	8688
30"	9654
33"	10619
36"	11584
39"	12550
42"	13515
45"	14480
48"	15446
51"	16411
54"	17376
57"	18342
60"	19307

IF STEPS ARE USED, STANDARD STEP VERTICAL SPACING IS 15" C-C.



**Oldcastle Precast®**

Southern California  
 Fontana ■ Lakeside ■ Perris ■ San Diego ■ Santa Paula  
 Phone: 800-626-3860 Fax: 877-797-0750

**108"Ø MH SHAFT**

FILE NAME: 070108MHSHAFT.DWG

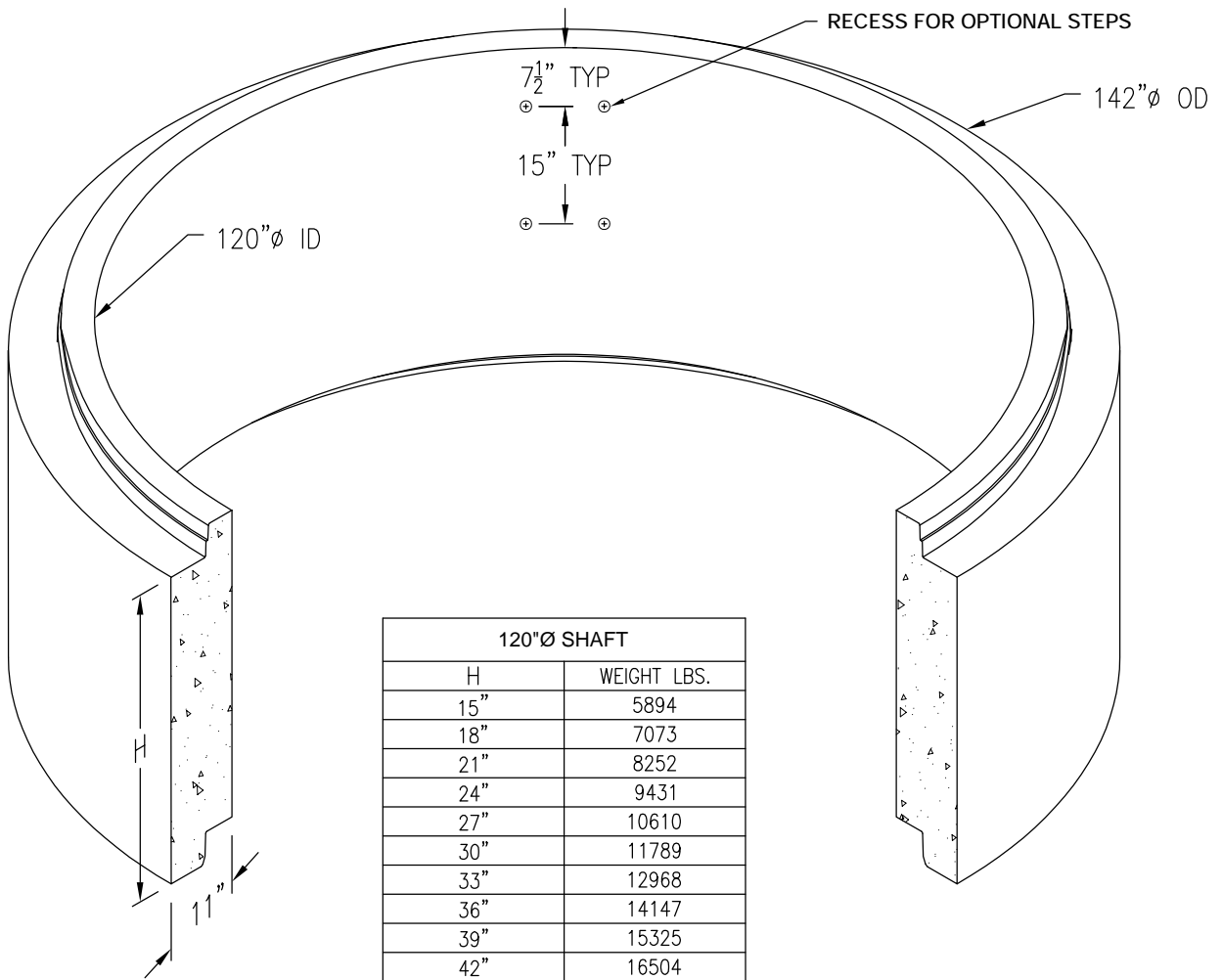
REVISED: Dec-17

[www.oldcastleprecast.com](http://www.oldcastleprecast.com)

**108"Ø MANHOLE SHAFT**

Copyright © 2017 Oldcastle Precast, Inc.®

SD-10.6



120"Ø SHAFT	
H	WEIGHT LBS.
15"	5894
18"	7073
21"	8252
24"	9431
27"	10610
30"	11789
33"	12968
36"	14147
39"	15325
42"	16504
45"	17683
48"	18862
51"	20041
54"	21220
57"	22399
60"	23578
63"	24756
66"	25935
69"	27114
72"	28293
75"	29472
78"	30651
81"	31830
84"	33009
87"	34188
90"	35366
93"	36545
96"	37724

IF STEPS ARE USED, STANDARD STEP VERTICAL SPACING IS 15" C-C.



**Oldcastle Precast®**

Southern California  
 Fontana ■ Lakeside ■ Perris ■ San Diego ■ Santa Paula  
 Phone: 800-626-3860 Fax: 877-797-0750

**120"Ø MH SHAFT**

FILE NAME: 070120MHSHAFT.DWG

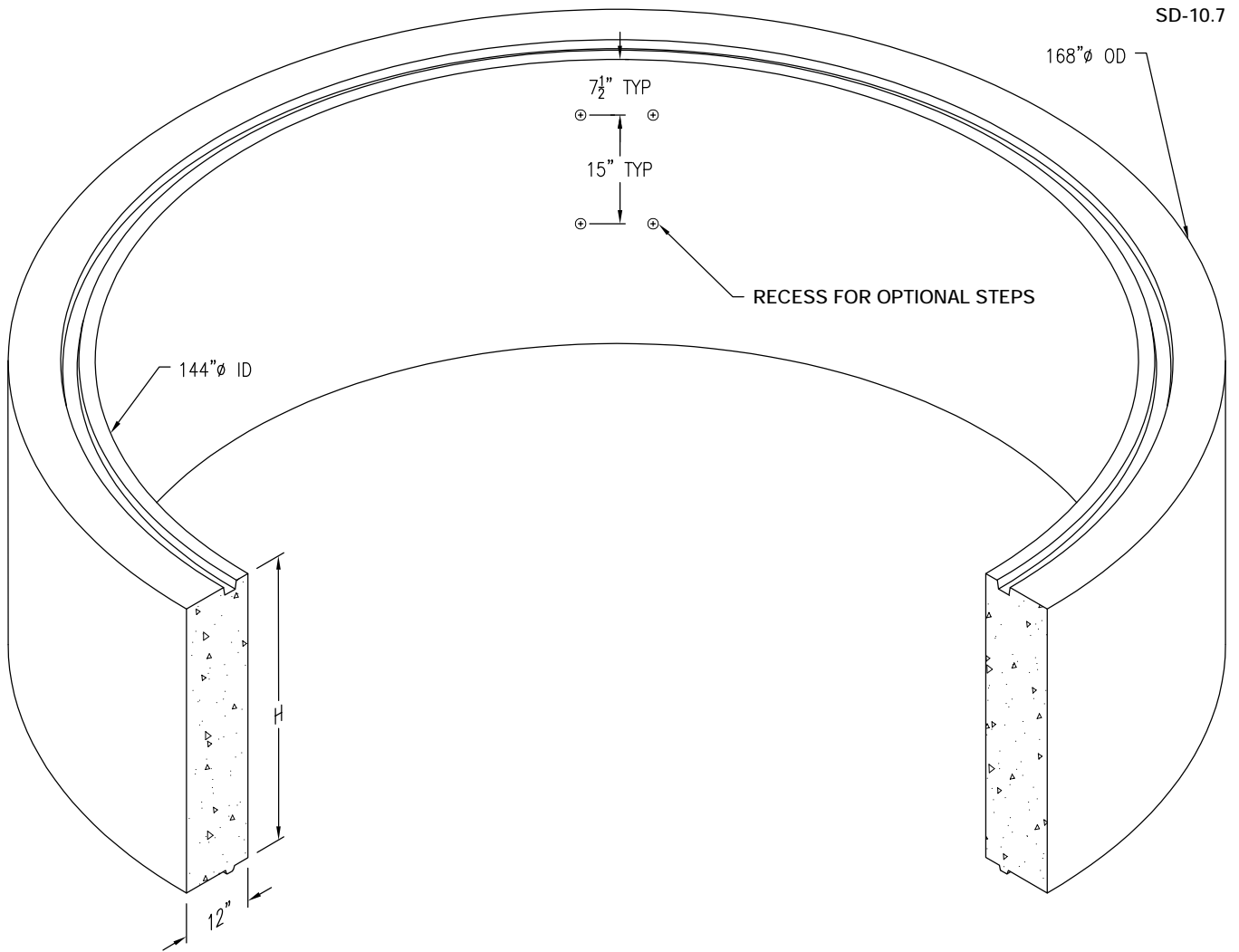
REVISED: Dec-17

[www.oldcastleprecast.com](http://www.oldcastleprecast.com)

**120"Ø MANHOLE SHAFT**

Copyright © 2017 Oldcastle Precast, Inc.®

SD-10.7



144"Ø SHAFT	
H	WEIGHT LBS.
15"	7657
18"	9189
21"	10720
24"	12252
27"	13783
30"	15315
33"	16846
36"	18378
39"	19909
42"	21441
45"	22972
48"	24504

IF STEPS ARE USED, STANDARD STEP VERTICAL SPACING IS 15" C-C.



**Oldcastle Precast®**

Southern California  
 Fontana ■ Lakeside ■ Perris ■ San Diego ■ Santa Paula  
 Phone: 800-626-3860 Fax: 877-797-0750

**144"Ø MH SHAFT**

FILE NAME: 070144MHSHAFT.DWG

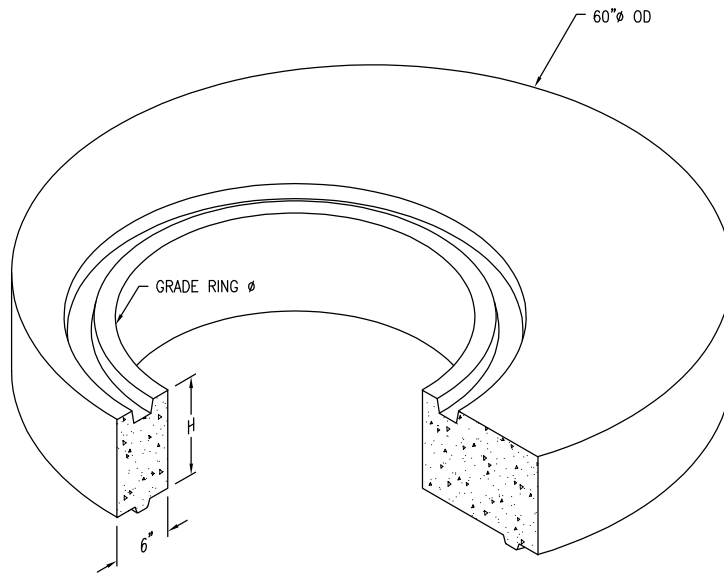
REVISED: Dec-17

[www.oldcastleprecast.com](http://www.oldcastleprecast.com)

**144"Ø MANHOLE SHAFT**

Copyright © 2017 Oldcastle Precast, Inc.®





48"Ø FLAT SLAB		
H	GRADE RING Ø	WEIGHT LBS.
6"	24"	1237
10"	24"	2062
10"	30"	1841
12"	30"	2209
10"	36"	1571



**Oldcastle Precast®**

Southern California  
 Fontana ■ Lakeside ■ Perris ■ San Diego ■ Santa Paula  
 Phone: 800-626-3860 Fax: 877-797-0750

**48"Ø FLAT SLAB**

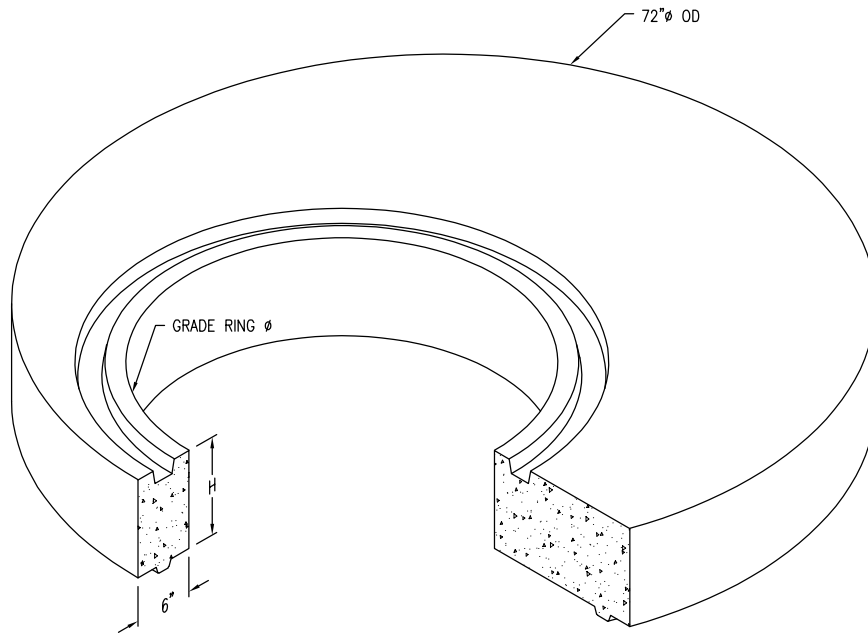
FILE NAME: 07048MHFLATSLAB.DWG

REVISED: Dec-17

[www.oldcastleprecast.com](http://www.oldcastleprecast.com)

**48"Ø ECCENTRIC  
 FLAT SLAB**

Copyright © 2017 Oldcastle Precast, Inc.®



60"Ø FLAT SLAB		
H	GRADE RING	WEIGHT LBS.
10"	24"	3142
10"	30"	2921
10"	36"	2651
12"	36"	3181
10"	48"	1963



**Oldcastle Precast®**

Southern California  
 Fontana ■ Lakeside ■ Perris ■ San Diego ■ Santa Paula  
 Phone: 800-626-3860 Fax: 877-797-0750

**60"Ø FLAT SLAB**

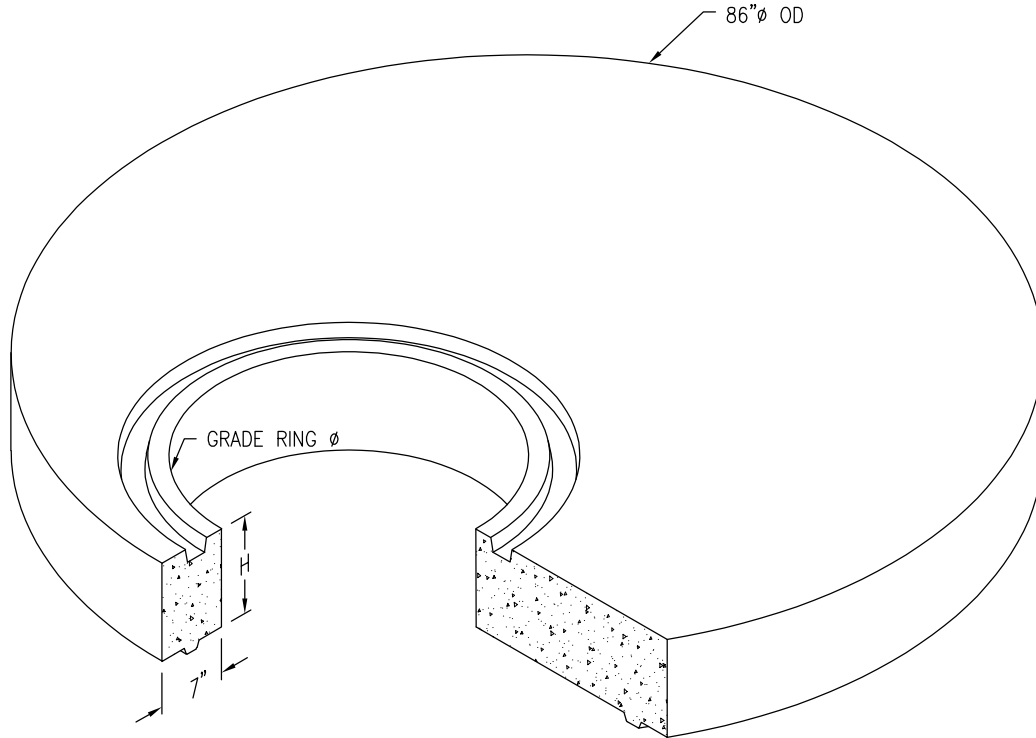
FILE NAME: 07060MHFLATSLAB.DWG

REVISED: Dec-17

[www.oldcastleprecast.com](http://www.oldcastleprecast.com)

**60"Ø ECCENTRIC  
 FLAT SLAB**

Copyright © 2017 Oldcastle Precast, Inc.®



72"Ø FLAT SLAB		
H	GRADE RING	WEIGHT LBS.
12"	24"	5579
12"	30"	5314
12"	36"	4990
12"	48"	4166



**Oldcastle Precast®**

Southern California  
 Fontana ■ Lakeside ■ Perris ■ San Diego ■ Santa Paula  
 Phone: 800-626-3860 Fax: 877-797-0750

**72"Ø FLAT SLAB**

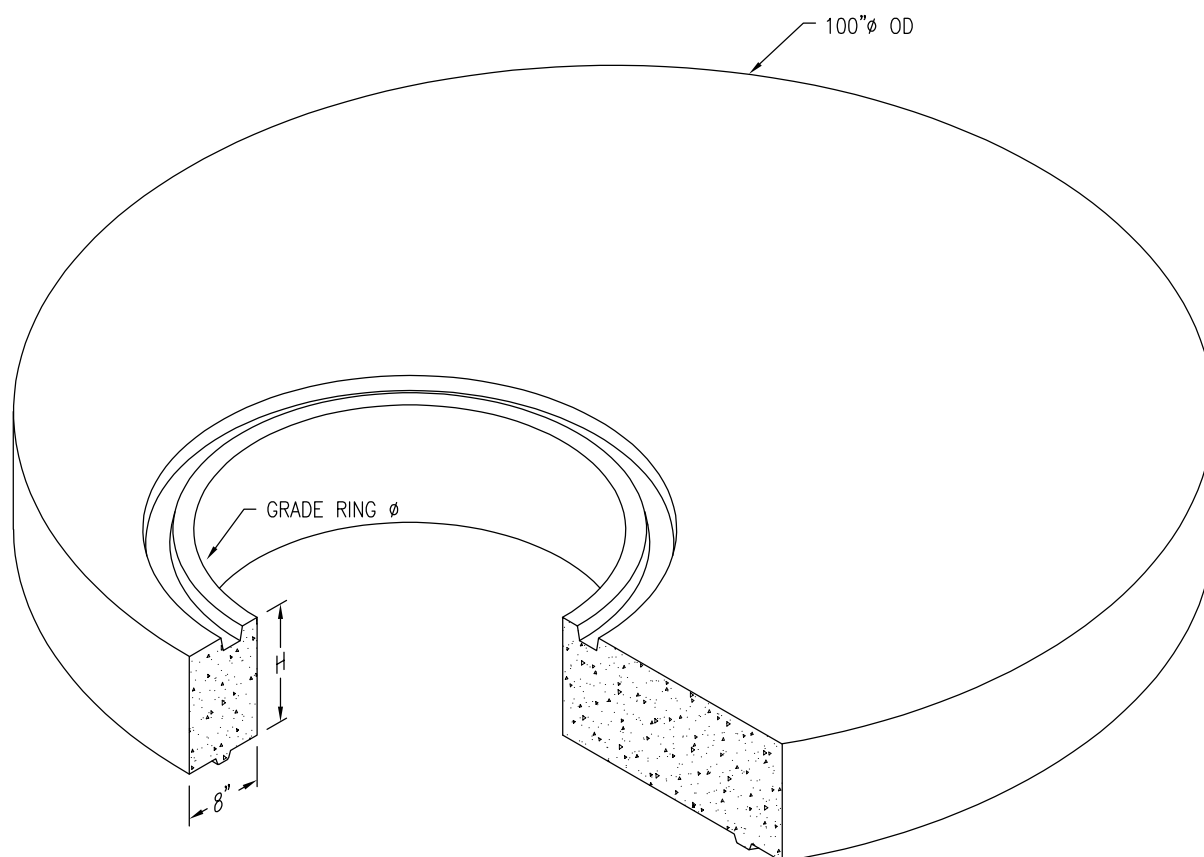
FILE NAME: 07072MHFLATSLAB.DWG

REVISED: Dec-17

[www.oldcastleprecast.com](http://www.oldcastleprecast.com)

**72"Ø ECCENTRIC  
 FLAT SLAB**

Copyright © 2017 Oldcastle Precast, Inc.®



84"Ø FLAT SLAB		
H	GRADE RING	WEIGHT LBS.
12"	24"	7710
12"	30"	7445
12"	36"	7121



**Oldcastle Precast®**

Southern California  
 Fontana ■ Lakeside ■ Perris ■ San Diego ■ Santa Paula  
 Phone: 800-626-3860 Fax: 877-797-0750

### 84"Ø FLAT SLAB

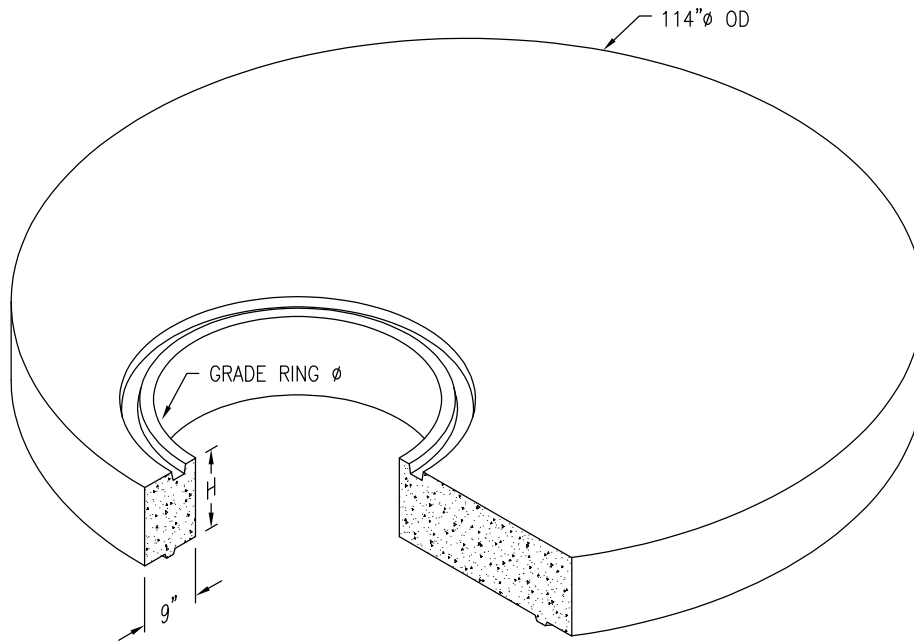
FILE NAME: 07084MHFLATSLAB.DWG

REVISED: Dec-17

[www.oldcastleprecast.com](http://www.oldcastleprecast.com)

### 84"Ø ECCENTRIC FLAT SLAB

Copyright © 2017 Oldcastle Precast, Inc.®



96"Ø FLAT SLAB		
H	GRADE RING	WEIGHT LBS.
12"	24"	10161
12"	30"	9896
12"	36"	9572



**Oldcastle Precast®**

Southern California  
 Fontana ■ Lakeside ■ Perris ■ San Diego ■ Santa Paula  
 Phone: 800-626-3860 Fax: 877-797-0750

**96"Ø FLAT SLAB**

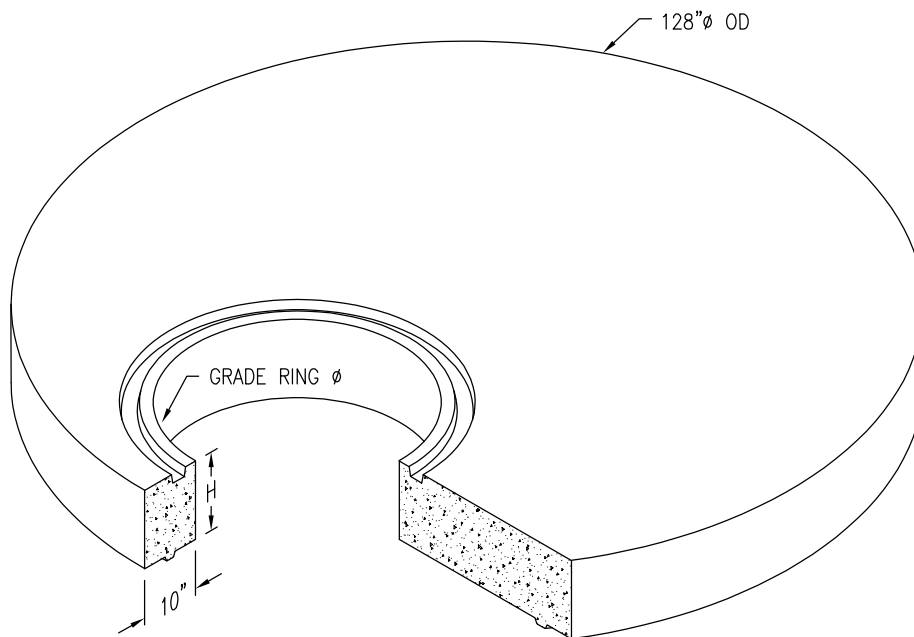
FILE NAME: 07096MHFLATSLAB.DWG

REVISED: Dec-17

[www.oldcastleprecast.com](http://www.oldcastleprecast.com)

**96"Ø ECCENTRIC  
 FLAT SLAB**

Copyright © 2017 Oldcastle Precast, Inc.®



108"Ø FLAT SLAB		
H	GRADE RING	WEIGHT LBS.
12"	24"	12933
12"	30"	12667
12"	36"	12343



**Oldcastle Precast®**

Southern California  
 Fontana ■ Lakeside ■ Perris ■ San Diego ■ Santa Paula  
 Phone: 800-626-3860 Fax: 877-797-0750

**108"Ø FLAT SLAB**

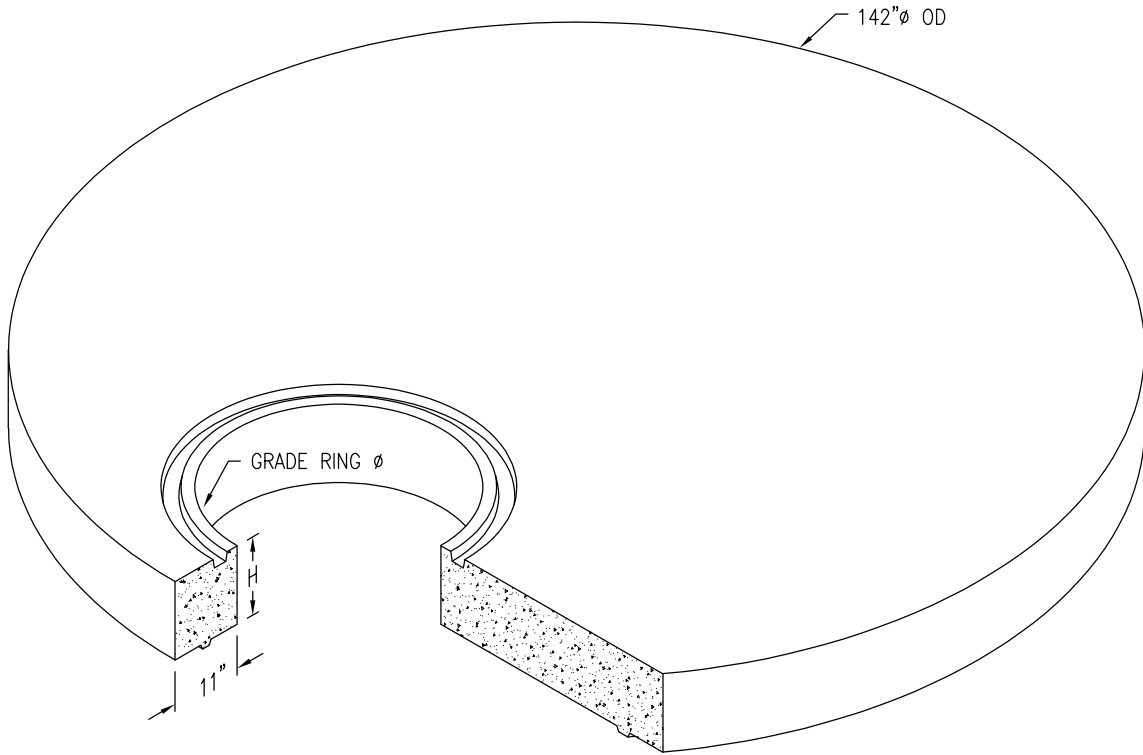
FILE NAME: 070108MHFLATSLAB.DWG

REVISED: Dec-17

[www.oldcastleprecast.com](http://www.oldcastleprecast.com)

**108"Ø ECCENTRIC  
 FLAT SLAB**

Copyright © 2017 Oldcastle Precast, Inc.®



120"Ø FLAT SLAB		
H	GRADE RING	WEIGHT LBS.
12"	24"	16025
12"	30"	15760
12"	36"	15436



**Oldcastle Precast®**

Southern California  
 Fontana ■ Lakeside ■ Perris ■ San Diego ■ Santa Paula  
 Phone: 800-626-3860 Fax: 877-797-0750

**120"Ø FLAT SLAB**

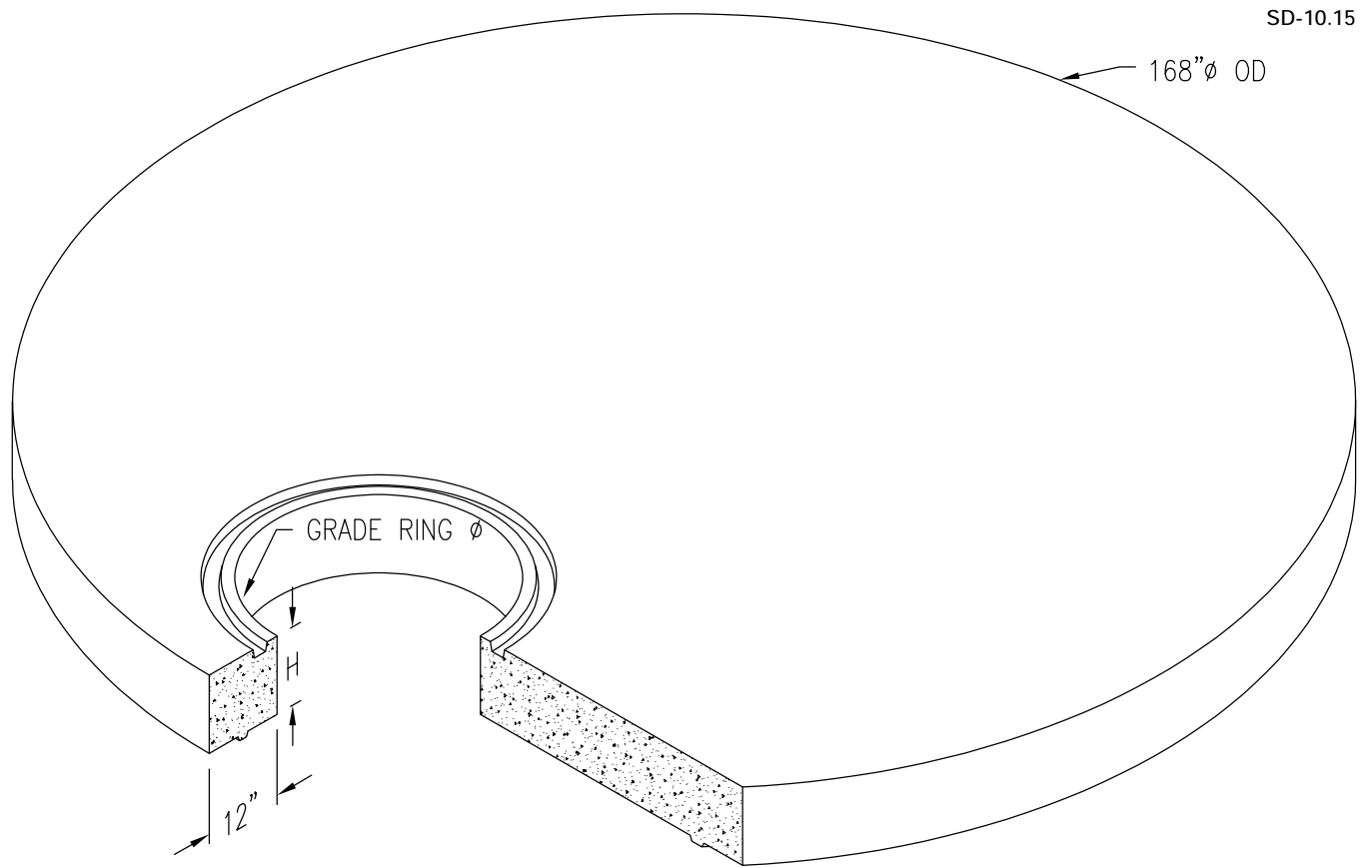
FILE NAME: 070120MHFLATSLAB.DWG

REVISED: Dec-17

[www.oldcastleprecast.com](http://www.oldcastleprecast.com)

**120"Ø ECCENTRIC  
 FLAT SLAB**

Copyright © 2017 Oldcastle Precast, Inc.®



144"Ø FLAT SLAB		
H	GRADE RING	WEIGHT LBS.
12"	24"	22619
12"	30"	22354
12"	36"	22030



**Oldcastle Precast®**

Southern California  
 Fontana ■ Lakeside ■ Perris ■ San Diego ■ Santa Paula  
 Phone: 800-626-3860 Fax: 877-797-0750

**144"Ø FLAT SLAB**

FILE NAME: 070144MHFLATSLAB.DWG

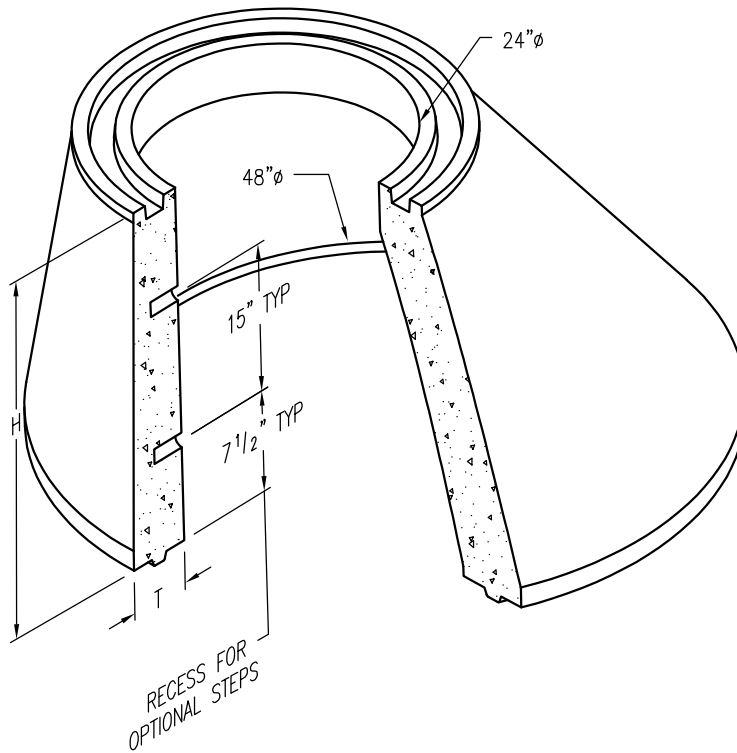
REVISED: Dec-17

[www.oldcastleprecast.com](http://www.oldcastleprecast.com)

**144"Ø ECCENTRIC  
 FLAT SLAB**

Copyright © 2017 Oldcastle Precast, Inc.®





48"X24" CONE		
H	T	WEIGHT LBS.
24"	6"	2102
30"	6"	2721
33"	6"	2927
36"	6"	2455
36"	5"	2299

IF STEPS ARE USED, STANDARD STEP VERTICAL SPACING IS 15" C-C.



**Oldcastle Precast®**

Southern California  
 Fontana ■ Lakeside ■ Perris ■ San Diego ■ Santa Paula  
 Phone: 800-626-3860 Fax: 877-797-0750

**48X24 CONE**

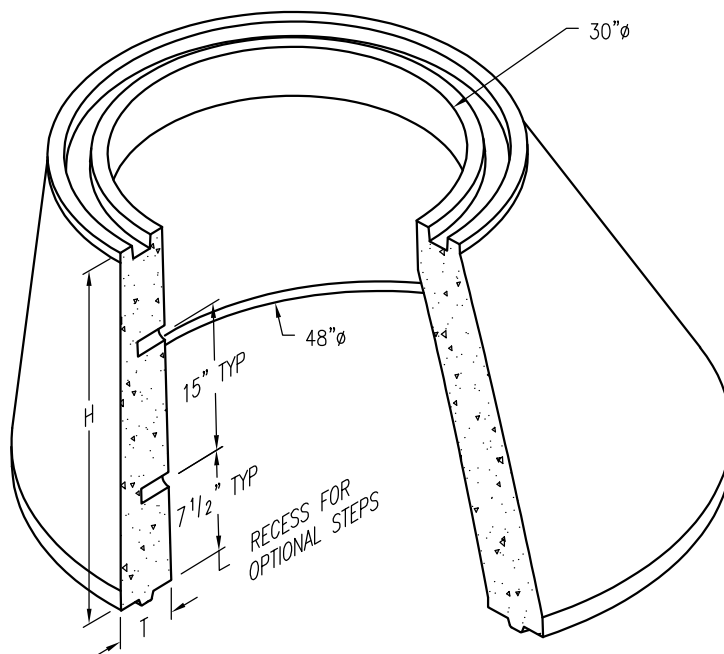
FILE NAME: 0704824MHCONE.DWG

REVISED: Dec-17

[www.oldcastleprecast.com](http://www.oldcastleprecast.com)

**48"Ø TO 24"Ø  
 ECCENTRIC CONE**

Copyright © 2017 Oldcastle Precast, Inc.®



48"X30" CONE		
H	T	WEIGHT LBS.
24"	6"	2000
27"	6"	2221
36"	6"	2885

IF STEPS ARE USED, STANDARD STEP VERTICAL SPACING IS 15" C-C.



**Oldcastle Precast®**

Southern California  
 Fontana ■ Lakeside ■ Perris ■ San Diego ■ Santa Paula  
 Phone: 800-626-3860 Fax: 877-797-0750

**48X30 CONE**

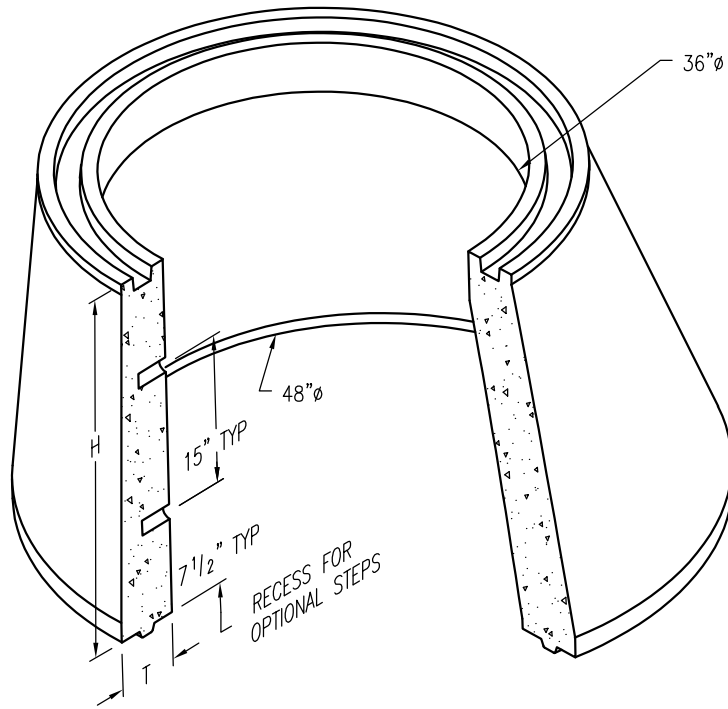
FILE NAME: 0704830MHCONE.DWG

REVISED: Dec-17

[www.oldcastleprecast.com](http://www.oldcastleprecast.com)

**48"Ø TO 30"Ø  
 ECCENTRIC CONE**

Copyright © 2017 Oldcastle Precast, Inc.®



48"X36" CONE		
H	T	WEIGHT LBS.
18"	6"	1574
24"	6"	2046
30"	6"	2721
33"	6"	2927
36"	6"	2990

IF STEPS ARE USED, STANDARD STEP VERTICAL SPACING IS 15" C-C.



**Oldcastle Precast®**

Southern California  
 Fontana ■ Lakeside ■ Perris ■ San Diego ■ Santa Paula  
 Phone: 800-626-3860 Fax: 877-797-0750

**48X36 CONE**

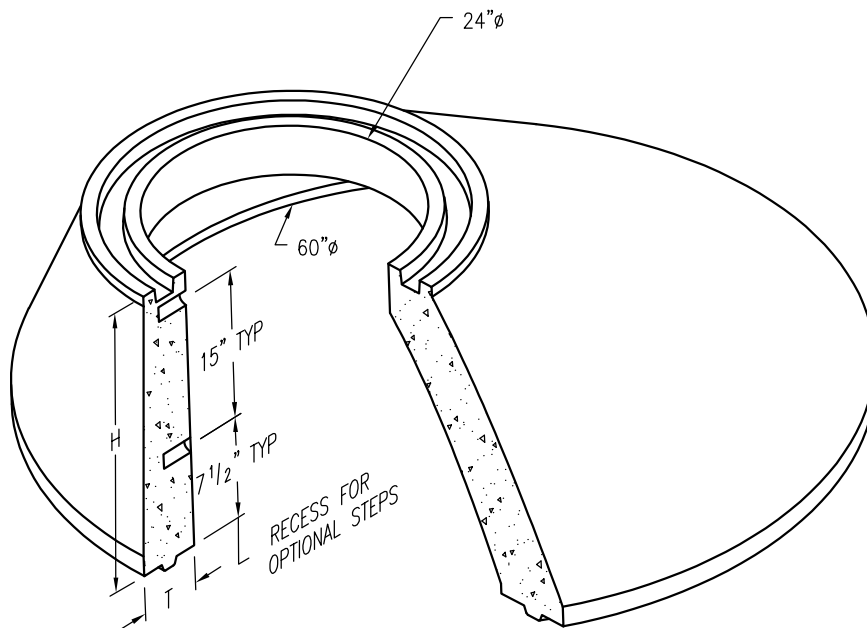
FILE NAME: 0704836MHCONCONE.DWG

REVISED: Dec-17

[www.oldcastleprecast.com](http://www.oldcastleprecast.com)

**48"Ø TO 36"Ø  
 ECCENTRIC CONE**

Copyright © 2017 Oldcastle Precast, Inc.®



60"X24" CONE		
H	T	WEIGHT LBS.
24"	6"	3328

IF STEPS ARE USED, STANDARD STEP VERTICAL SPACING IS 15" C-C.



**Oldcastle Precast®**

Southern California  
 Fontana ■ Lakeside ■ Perris ■ San Diego ■ Santa Paula  
 Phone: 800-626-3860 Fax: 877-797-0750

**60X24 CONE**

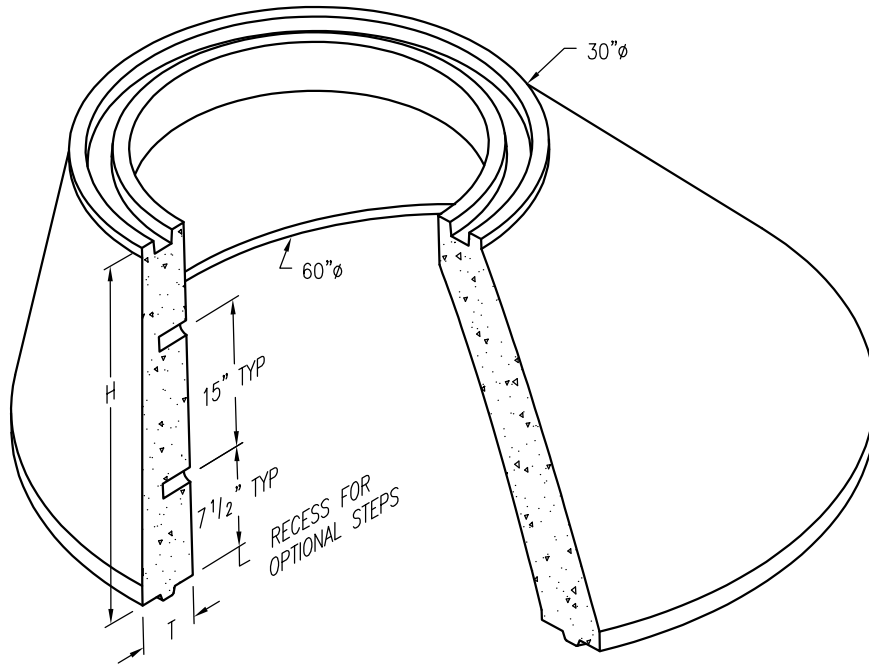
FILE NAME: 0706024MHCONE.DWG

REVISED: Dec-17

[www.oldcastleprecast.com](http://www.oldcastleprecast.com)

**60"Ø TO 24"Ø  
 ECCENTRIC CONE**

Copyright © 2017 Oldcastle Precast, Inc.®



60"X30" CONE		
H	T	WEIGHT LBS.
30"	6"	2952
36"	6"	3453

IF STEPS ARE USED, STANDARD STEP VERTICAL SPACING IS 15" C-C.



**Oldcastle Precast®**

Southern California  
 Fontana ■ Lakeside ■ Perris ■ San Diego ■ Santa Paula  
 Phone: 800-626-3860 Fax: 877-797-0750

**60X30 CONE**

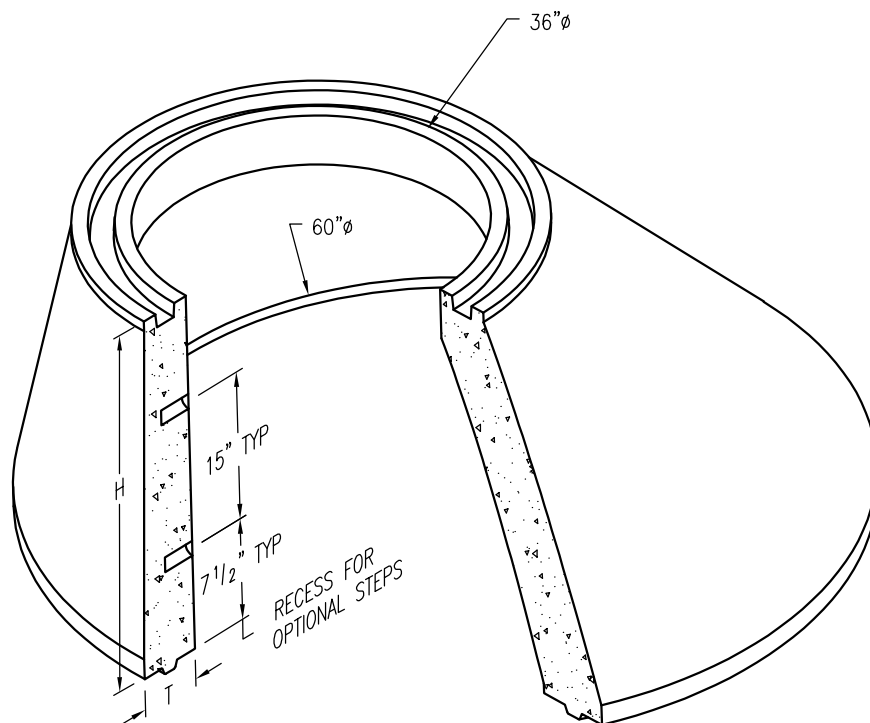
FILE NAME: 0706030MHCONE.DWG

REVISED: Dec-17

[www.oldcastleprecast.com](http://www.oldcastleprecast.com)

**60"Ø TO 30"Ø  
 ECCENTRIC CONE**

Copyright © 2017 Oldcastle Precast, Inc.®



60"X36" CONE		
H	T	WEIGHT LBS.
24"	6"	2501
36"	6"	3563

IF STEPS ARE USED, STANDARD STEP VERTICAL SPACING IS 15" C-C.



**Oldcastle Precast®**

Southern California  
 Fontana ■ Lakeside ■ Perris ■ San Diego ■ Santa Paula  
 Phone: 800-626-3860 Fax: 877-797-0750

**60X36 CONE**

FILE NAME: 0706036MHCONE.DWG

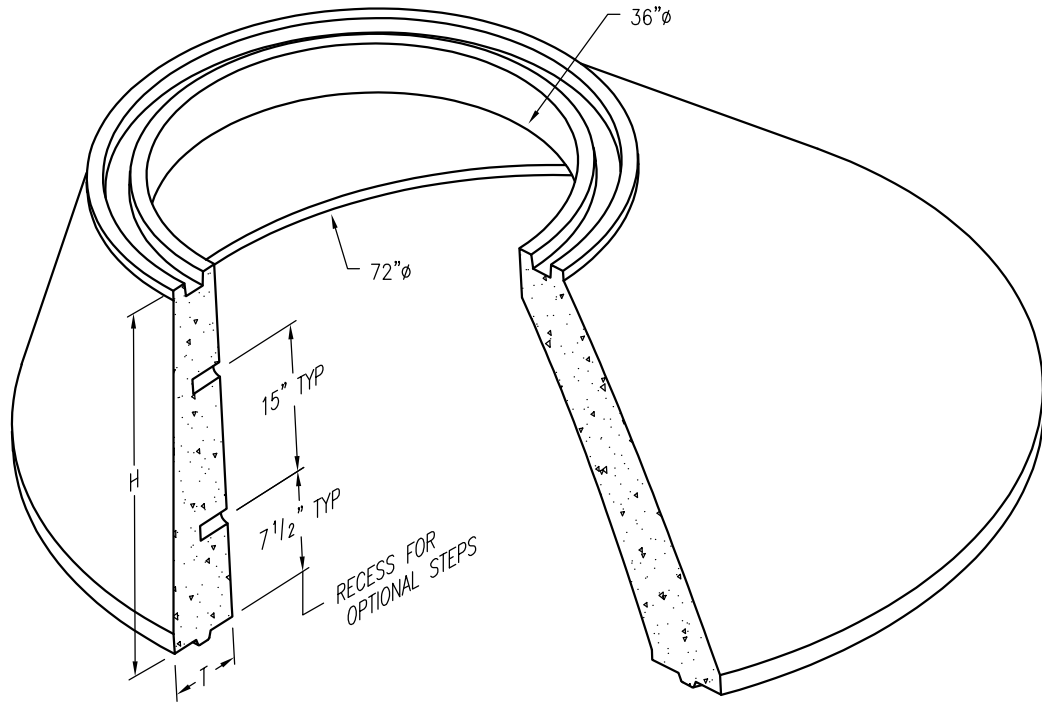
REVISED: Dec-17

[www.oldcastleprecast.com](http://www.oldcastleprecast.com)

**60"Ø TO 36"Ø  
 ECCENTRIC CONE**

Copyright © 2017 Oldcastle Precast, Inc.®

SD-10.22



72"X36" CONE		
H	T	WEIGHT LBS.
36"	7"	4842

IF STEPS ARE USED, STD. STEP VERT. SPACING IS 15" C-C.



**Oldcastle Precast®**

Southern California  
 Fontana ■ Lakeside ■ Perris ■ San Diego ■ Santa Paula  
 Phone: 800-626-3860 Fax: 877-797-0750

**SWU 72X36 CONE**

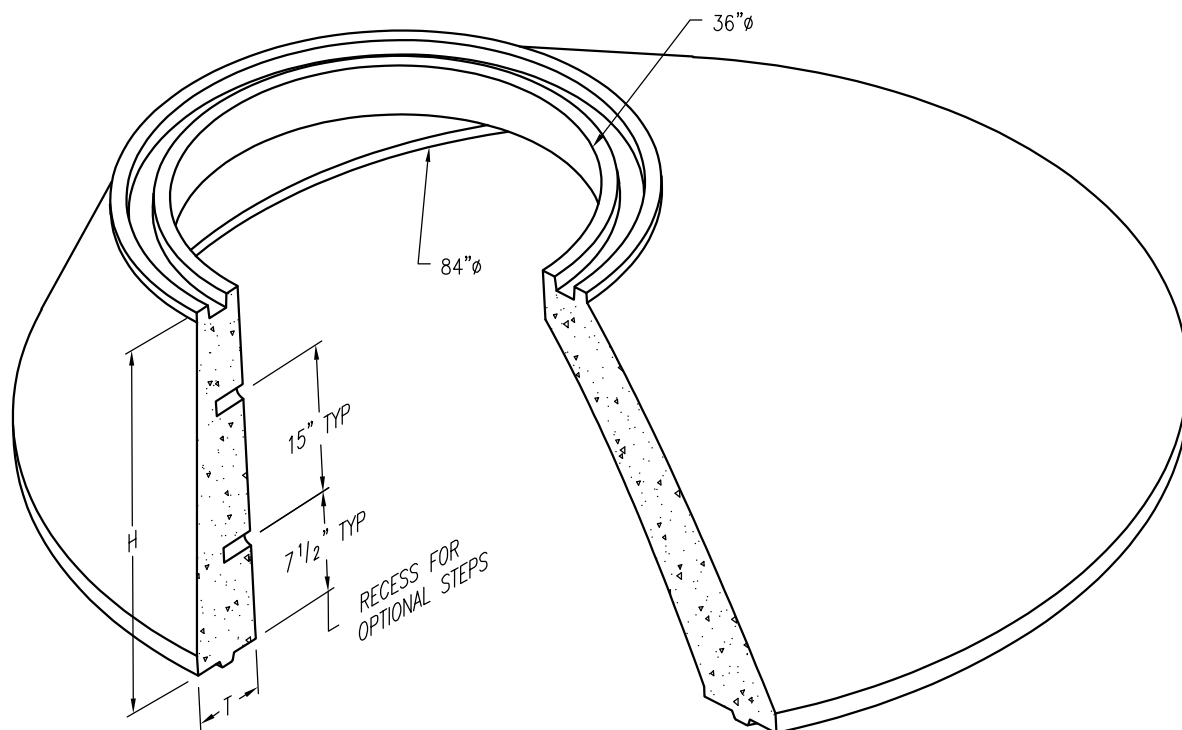
FILE NAME: 0707236MHCONCONE.DWG

REVISED: Dec-17

[www.oldcastleprecast.com](http://www.oldcastleprecast.com)

**SWU 72"Ø TO 36"Ø  
 ECCENTRIC CONE  
 STANDARD WET UTILITY**

Copyright © 2017 Oldcastle Precast, Inc.®



84"X36" CONE		
H	T	WEIGHT LBS.
36"	8"	8080

IF STEPS ARE USED, STANDARD STEP VERTICAL SPACING IS 15" C-C.



**Oldcastle Precast®**

Southern California  
 Fontana ■ Lakeside ■ Perris ■ San Diego ■ Santa Paula  
 Phone: 800-626-3860 Fax: 877-797-0750

**84X36 CONE**

FILE NAME: 0708436MHCONC.DWG

REVISED: Dec-17

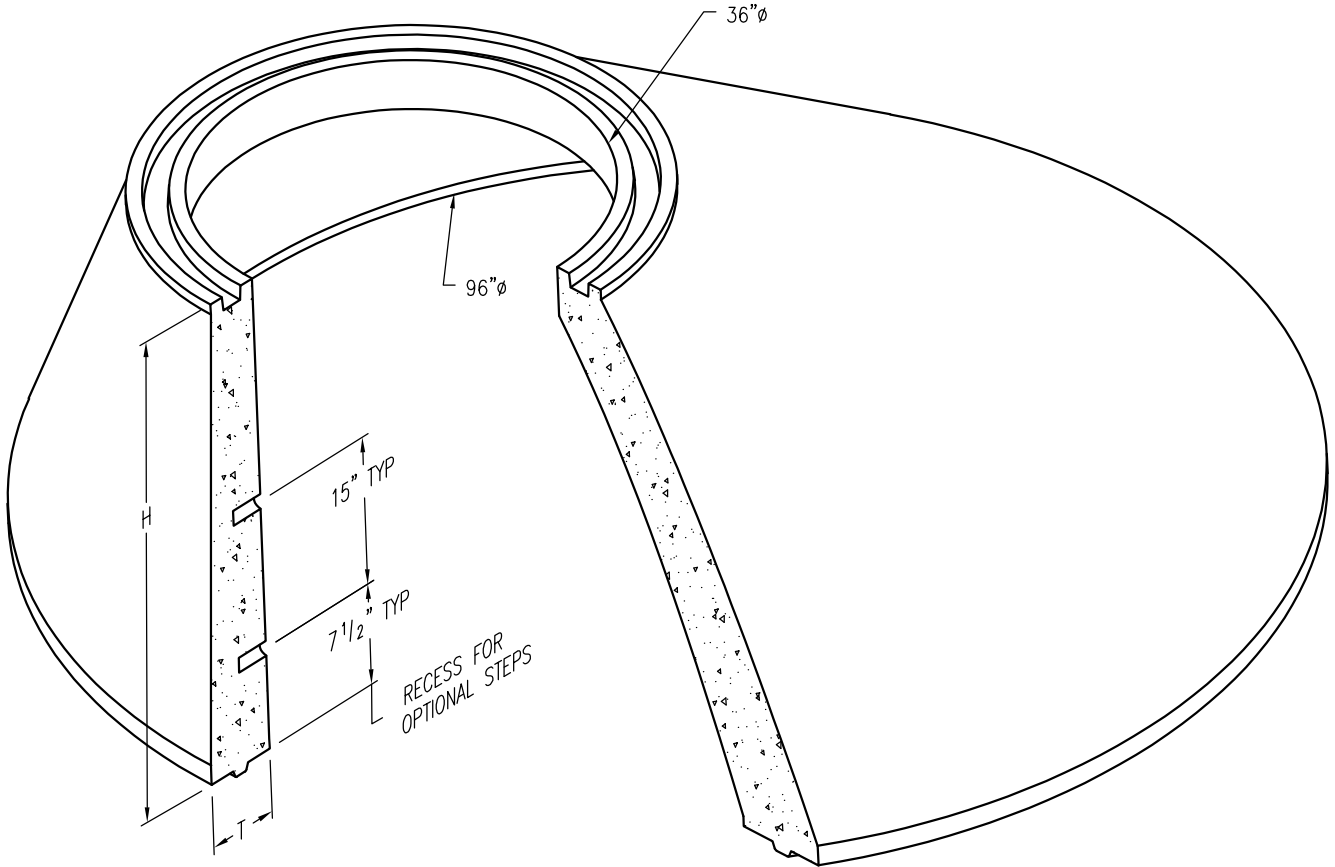
[www.oldcastleprecast.com](http://www.oldcastleprecast.com)

**84"Ø TO 36"Ø  
 ECCENTRIC CONE**

Copyright © 2017 Oldcastle Precast, Inc.®



SD-10.24



96"X36" CONE		
H	T	WEIGHT LBS.
48"	9"	10147

IF STEPS ARE USED, STANDARD STEP VERTICAL SPACING IS 15" C-C.



**Oldcastle Precast®**

Southern California  
 Fontana ■ Lakeside ■ Perris ■ San Diego ■ Santa Paula  
 Phone: 800-626-3860 Fax: 877-797-0750

**96X36 CONE**

FILE NAME: 0709636MHCONC.DWG

REVISED: Dec-17

[www.oldcastleprecast.com](http://www.oldcastleprecast.com)

**96"Ø TO 36"Ø  
 ECCENTRIC CONE**

Copyright © 2017 Oldcastle Precast, Inc.®