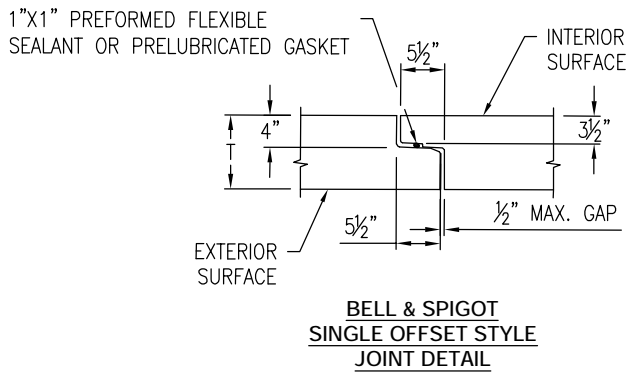
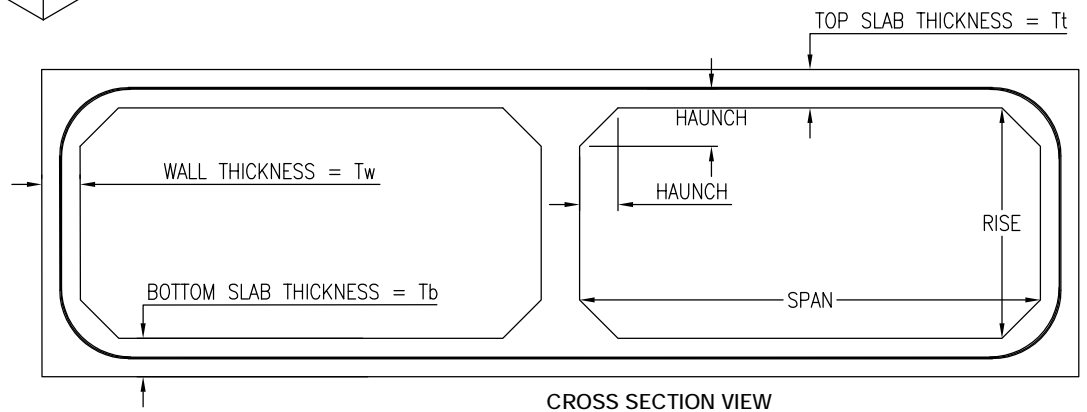
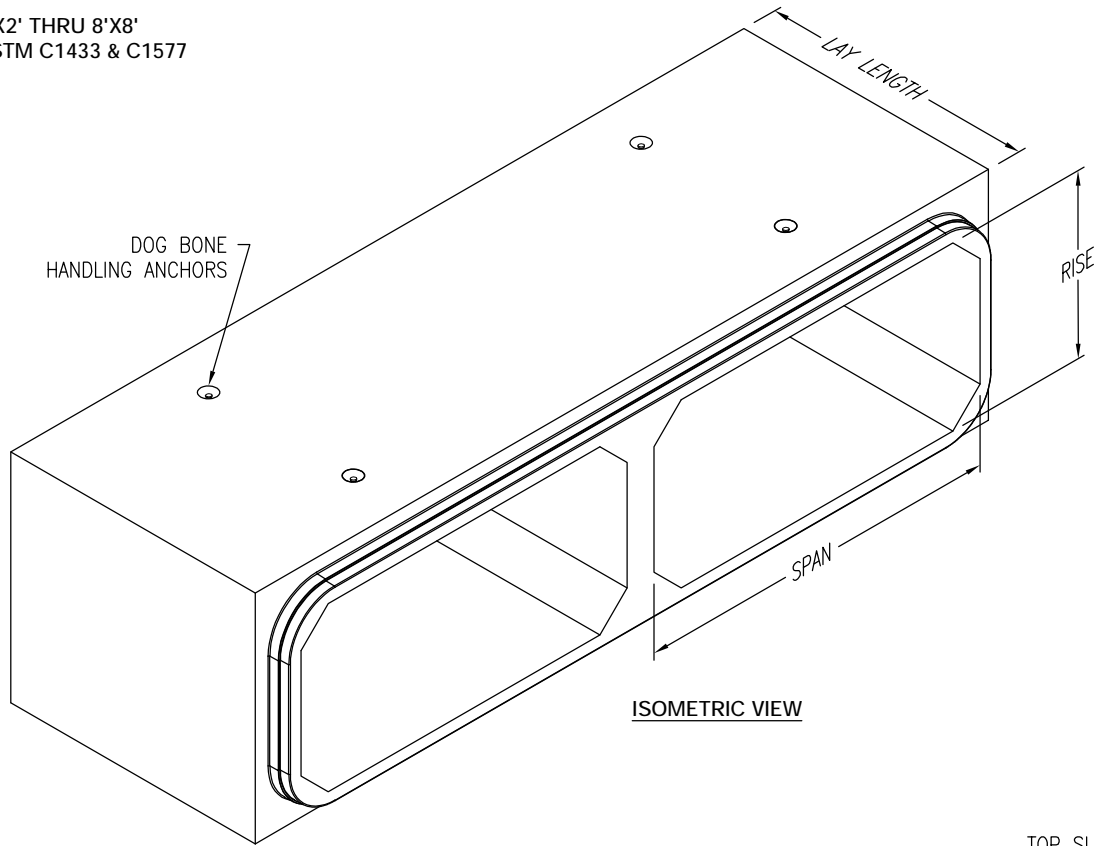


4'X2' THRU 8'X8'
ASTM C1433 & C1577

SD-13.0



Oldcastle Precast®

Southern California
Fontana ■ Lakeside ■ Perris ■ San Diego ■ Santa Paula
Phone: 800-626-3860 Fax: 877-797-0750

BOX CULVERT

FILE NAME: 070BOXCULVERTDC.DWG

REVISED: Jan-18

www.oldcastleprecast.com

**BOX CULVERT
DOUBLE CELL
STORM DRAIN**

Copyright © 2018 Oldcastle Precast, Inc.®