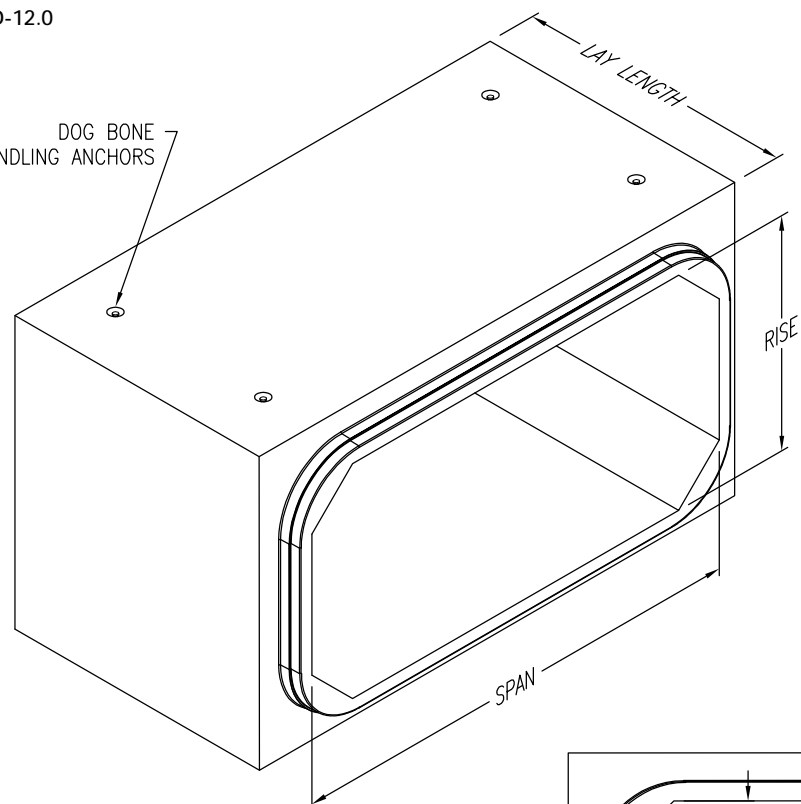


SD-12.0

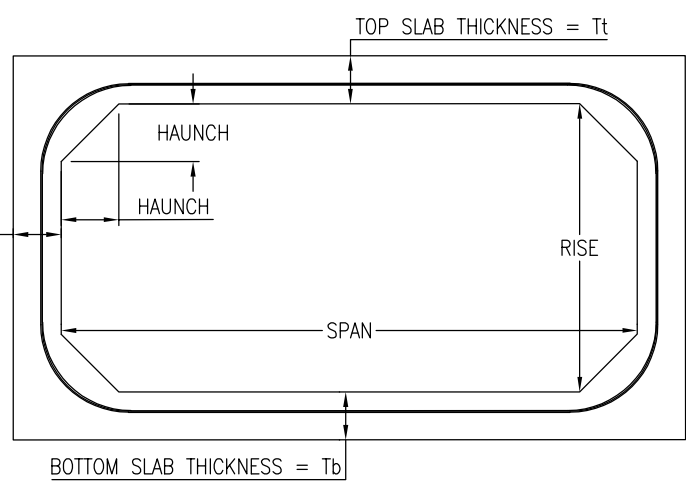
4'X2' THRU 12'X12'
ASTM C1433 & C1577

DOG BONE
HANDLING ANCHORS



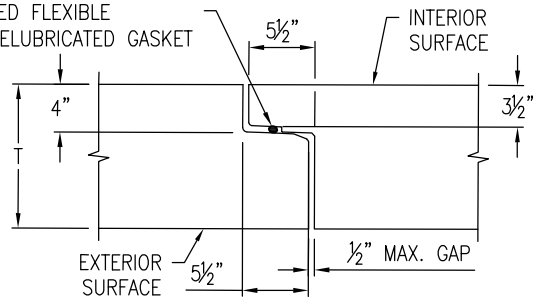
ISOMETRIC VIEW

WALL THICKNESS = T_w



CROSS SECTION VIEW

1"X1" PREFORMED FLEXIBLE
SEALANT OR PRELUBRICATED GASKET



BELL & SPIGOT
SINGLE OFFSET STYLE
JOINT DETAIL



Oldcastle Precast®

Southern California
Fontana ■ Lakeside ■ Perris ■ San Diego ■ Santa Paula
Phone: 800-626-3860 Fax: 877-797-0750

BOX CULVERT

FILE NAME: 070BOXCULVERTSC.DWG

REVISED: Jan-18

www.oldcastleprecast.com

BOX CULVERT
SINGLE CELL
STORM DRAIN

Copyright © 2018 Oldcastle Precast, Inc.®