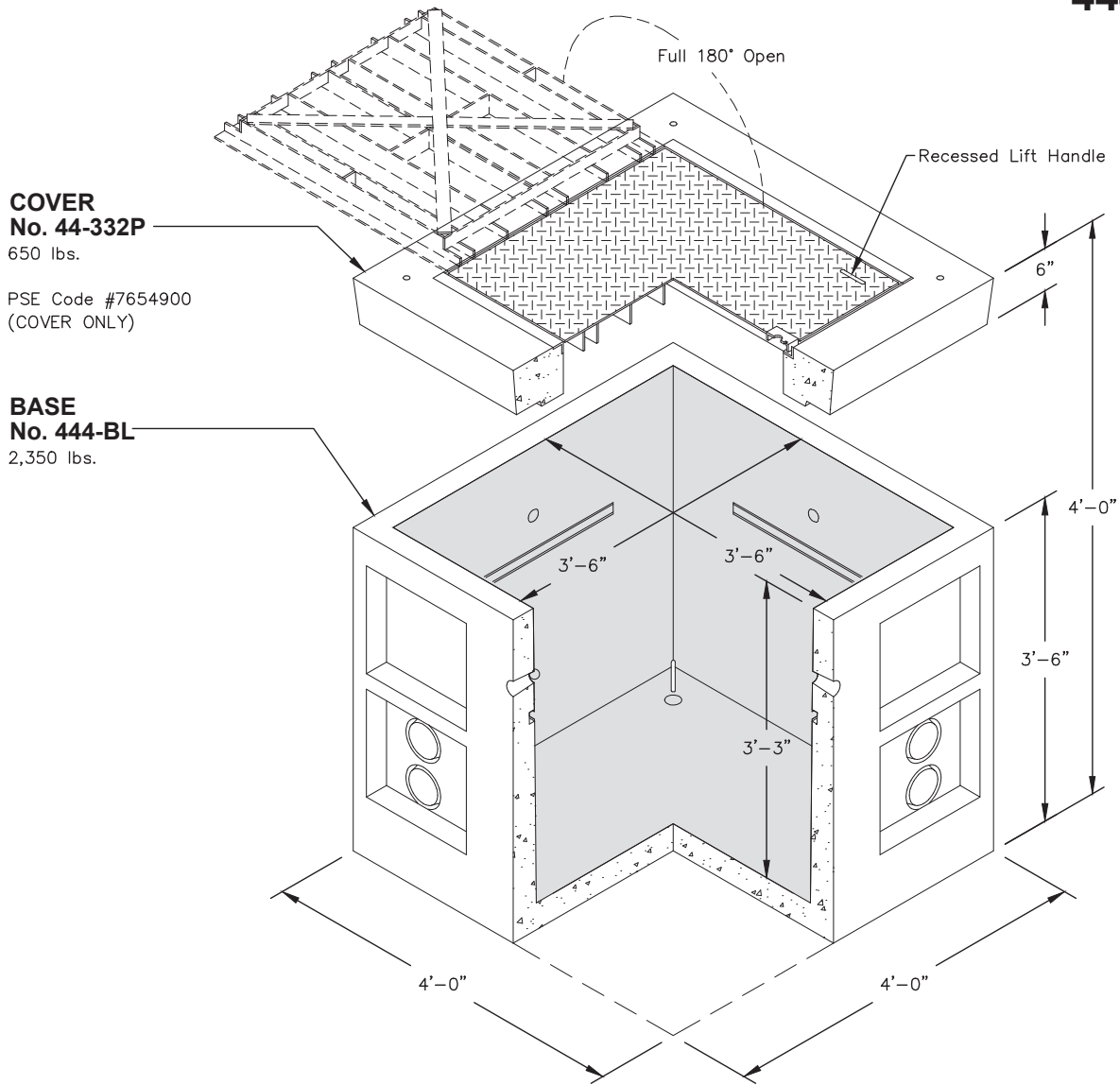
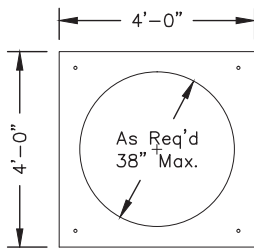


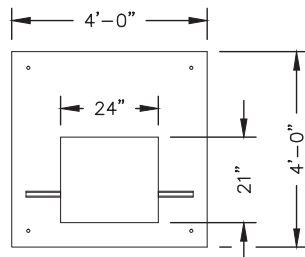
444-LA



OPTIONAL COVER SECTIONS



ROUND ACCESS
No. 44-38C (Shown)
600 lbs.



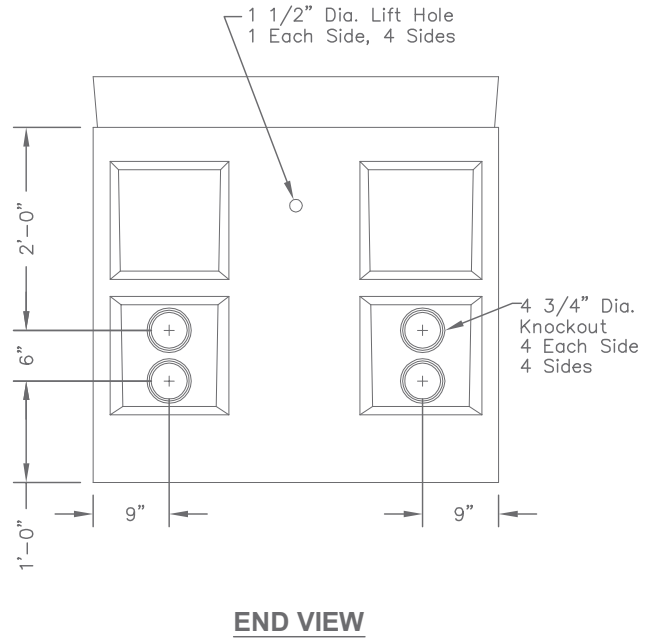
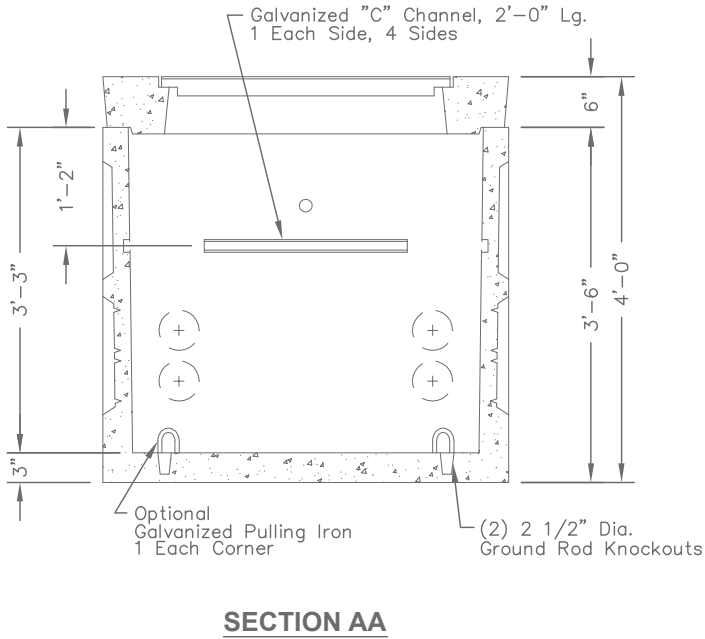
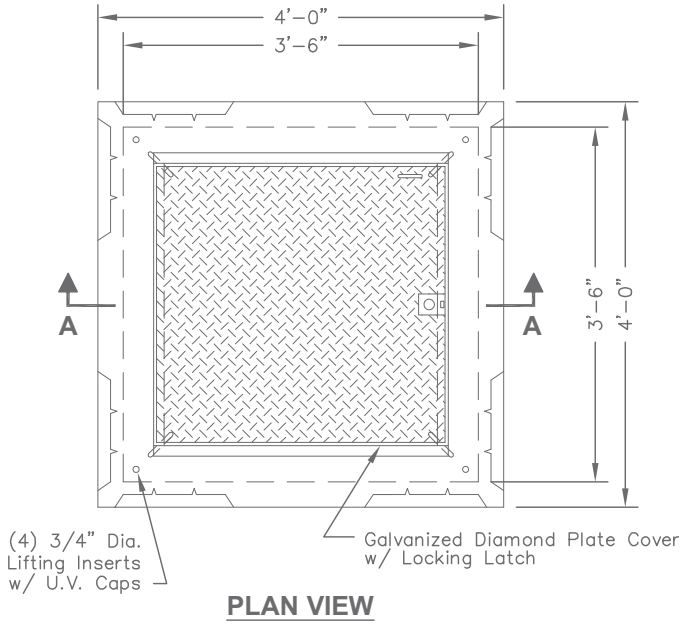
PADMOUNT
No. 44-2124
1,050 lbs.
PSE Code #7658400
(COVER ONLY)

Non Skid Covers Available

FOR DETAILS, SEE REVERSE>>

Items Shown Are Subject To Change Without Notice
Issue Date: April 2016

444-LA



SCALE: 1/2" = 1'-0"