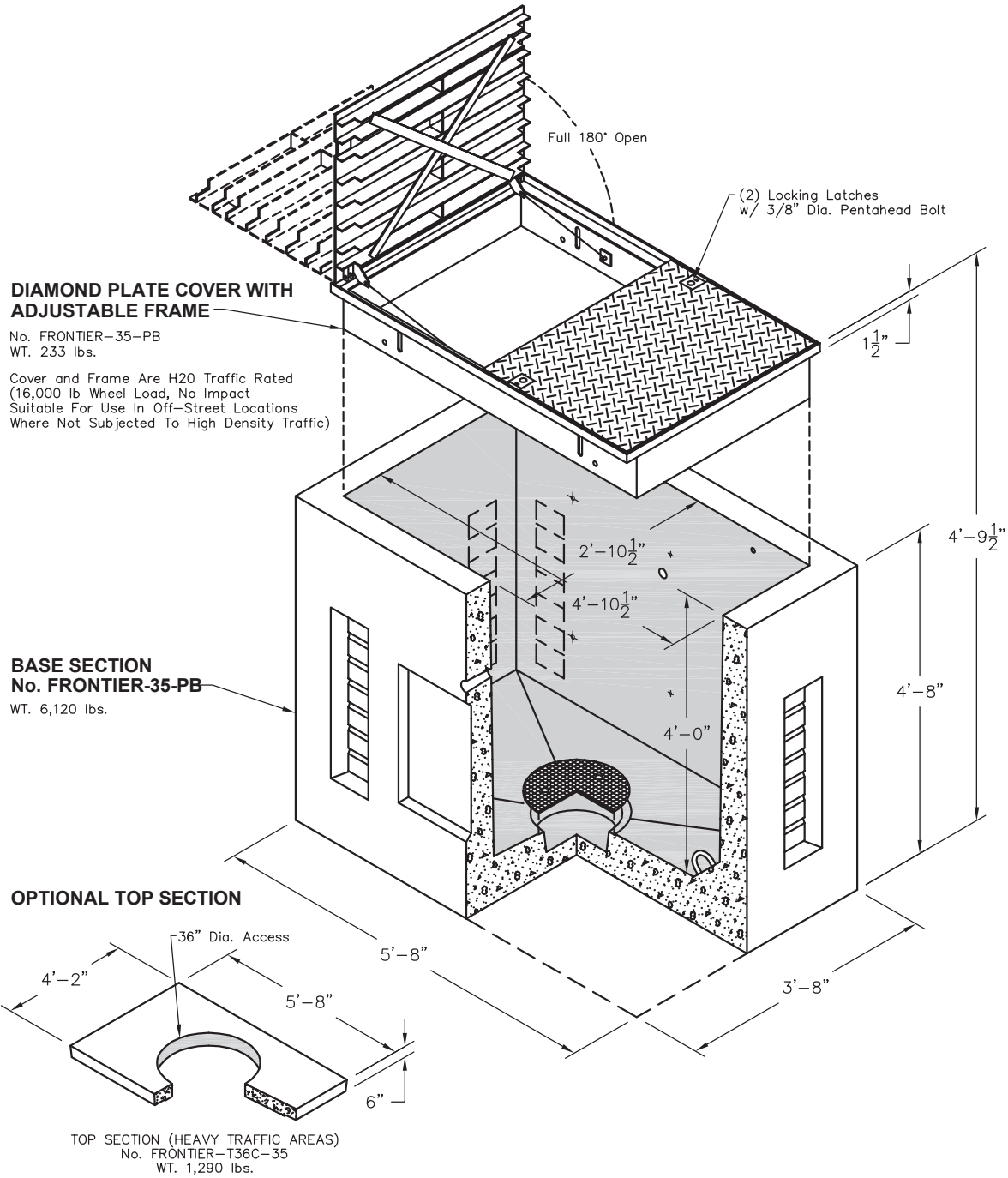


FRONTIER-35 PULLBOX

ITEM CODE: 180045

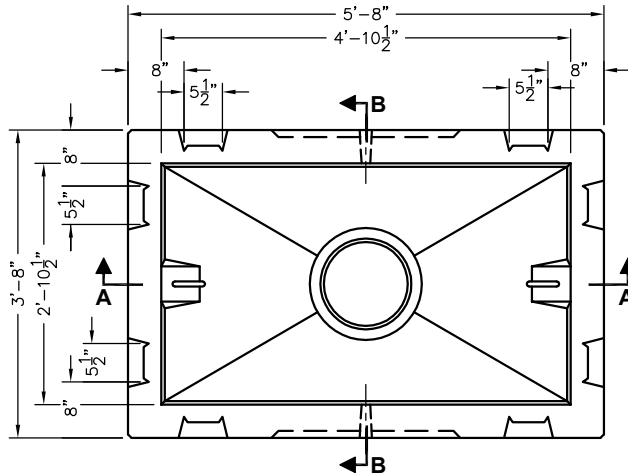


Non Skid Covers Available
FOR DETAILS, SEE REVERSE>>

Items Shown Are Subject To Change Without Notice
Issue Date: April 2016

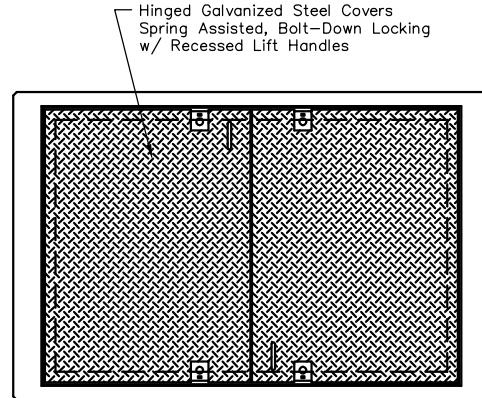
FRONTIER-35 PULLBOX

ITEM CODE: 180045

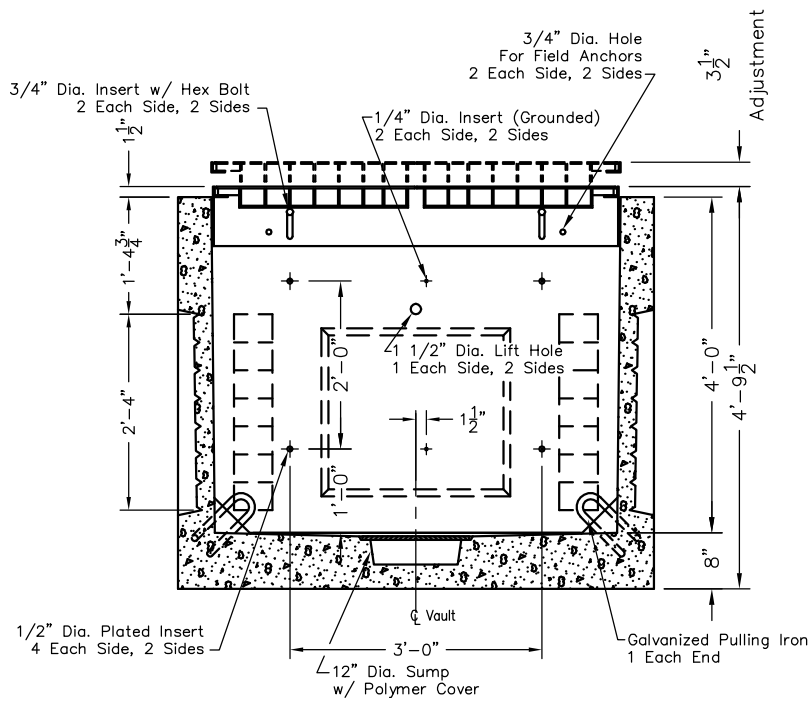


PLAN VIEW

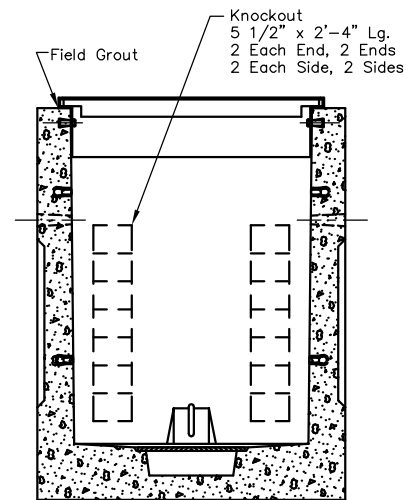
Access Cover Not Shown, See Cover Plan



COVER PLAN



SECTION AA



SECTION BB

SCALE: 1/2"=1'-0"