

FRONTIER-35 INTERCEPT
ITEM CODE: 180046

DIAMOND PLATE COVER WITH ADJUSTABLE FRAME

No. FRONTIER-35-INT
WT. 233 lbs.

Cover and Frame Are H20 Traffic Rated (16,000 lb Wheel Load, No Impact Suitable For Use In Off-Street Locations Where Not Subjected To High Density Traffic)

CENTER SECTION
No. FRONTIER-35-INT

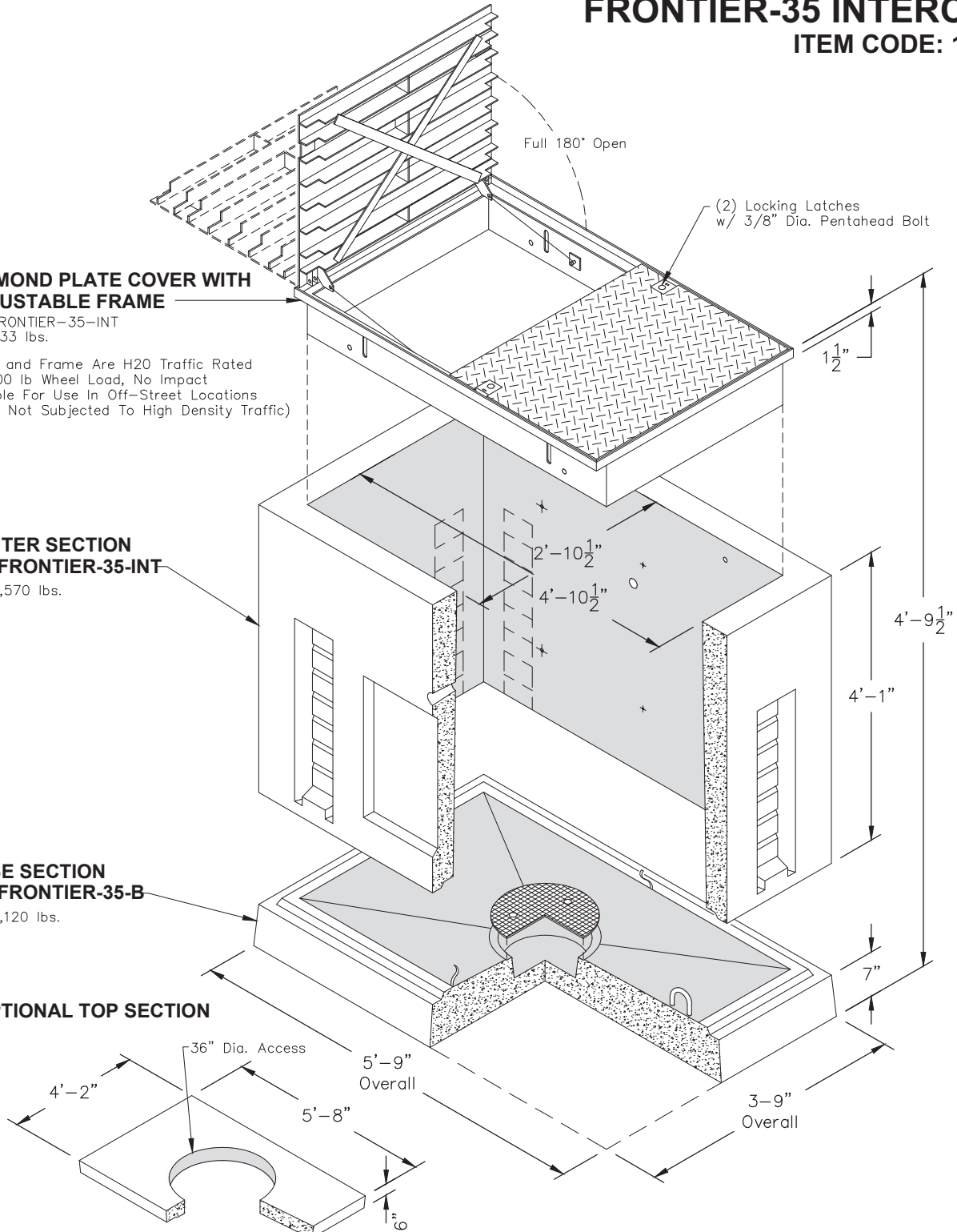
WT. 3,570 lbs.

BASE SECTION
No. FRONTIER-35-B

WT. 2,120 lbs.

OPTIONAL TOP SECTION

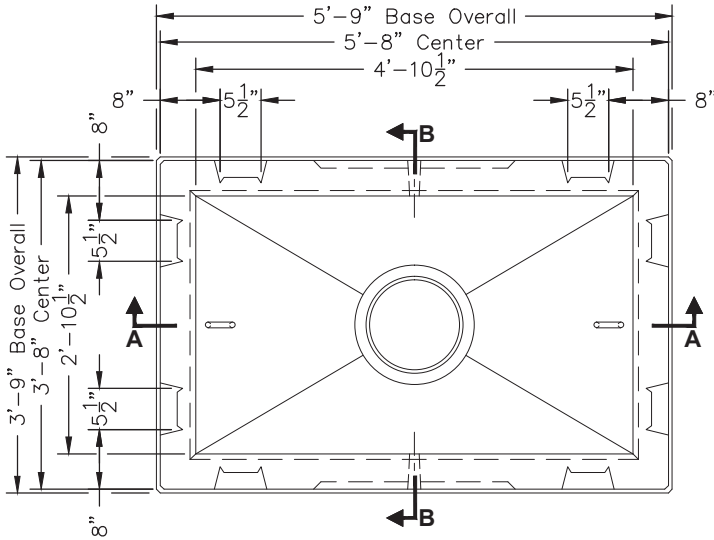
TOP SECTION (HEAVY TRAFFIC AREAS)
No. FRONTIER-T36C-35
WT. 1,290 lbs.



FOR DETAILS, SEE REVERSE>>

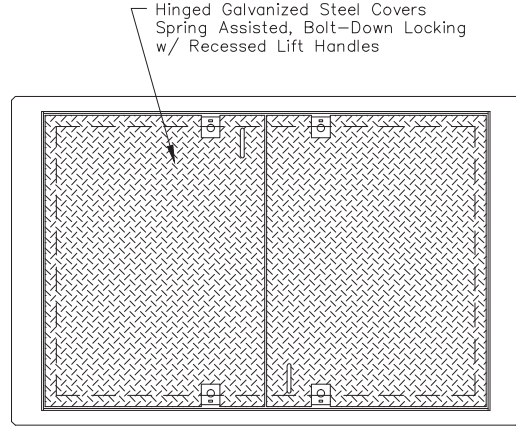
Items Shown Are Subject To Change Without Notice
Issue Date: April 2016

FRONTIER-35 INTERCEPT
ITEM CODE: 180046

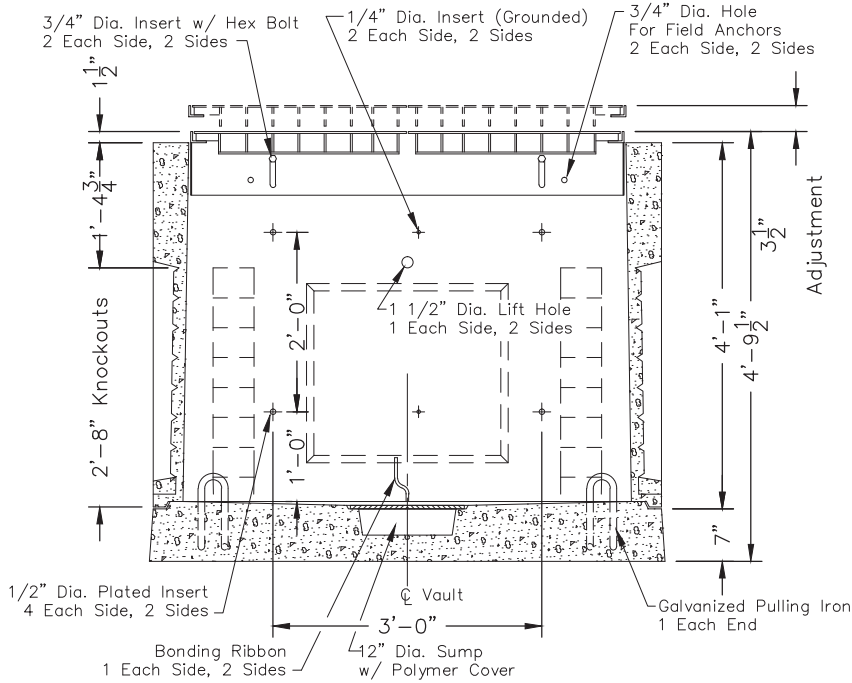


PLAN VIEW

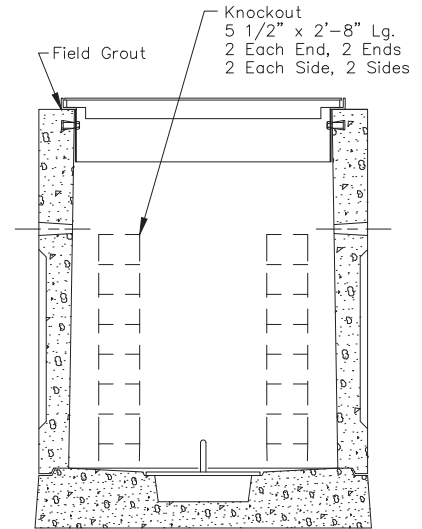
Access Cover Not Shown, See Cover Plan



COVER PLAN



SECTION AA



SECTION BB

SCALE: 1/2" = 1'-0"