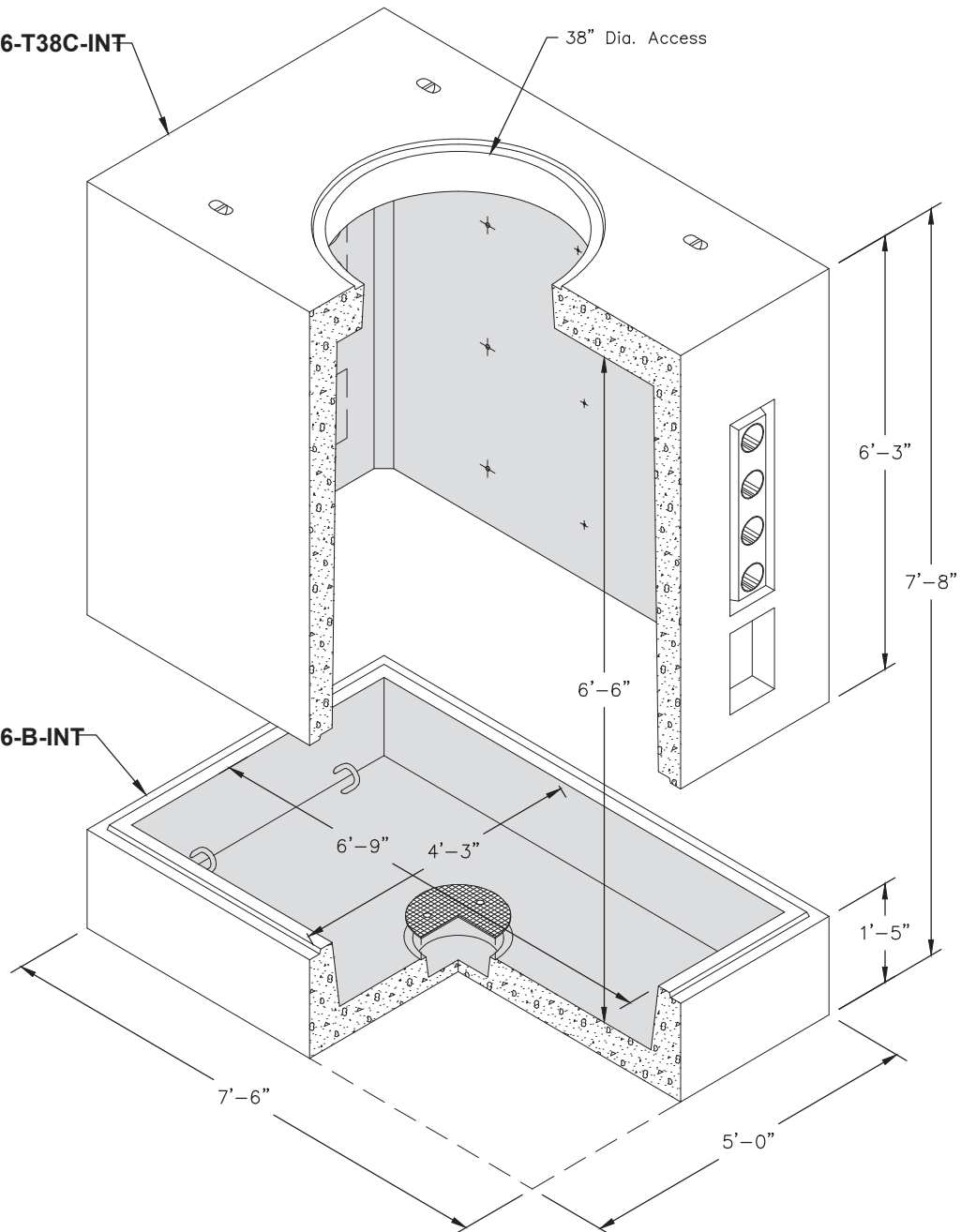


# FRONTIER-466 INTERCEPT

ITEM CODE: 180015

**TOP SECTION**  
No. FRONTIER-466-T38C-INT  
WT. 11,340 lbs.

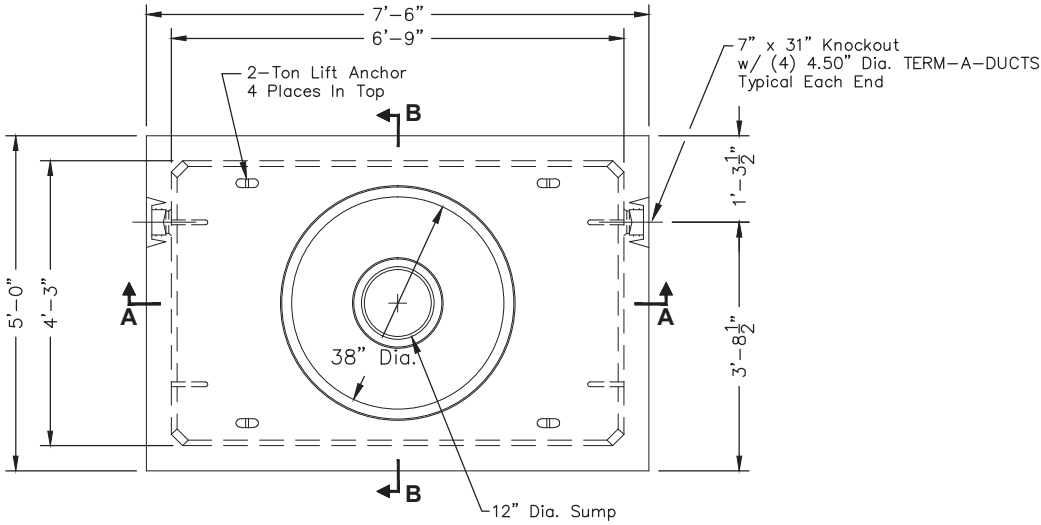


**BASE**  
No. FRONTIER-466-B-INT  
WT. 4,330 lbs.

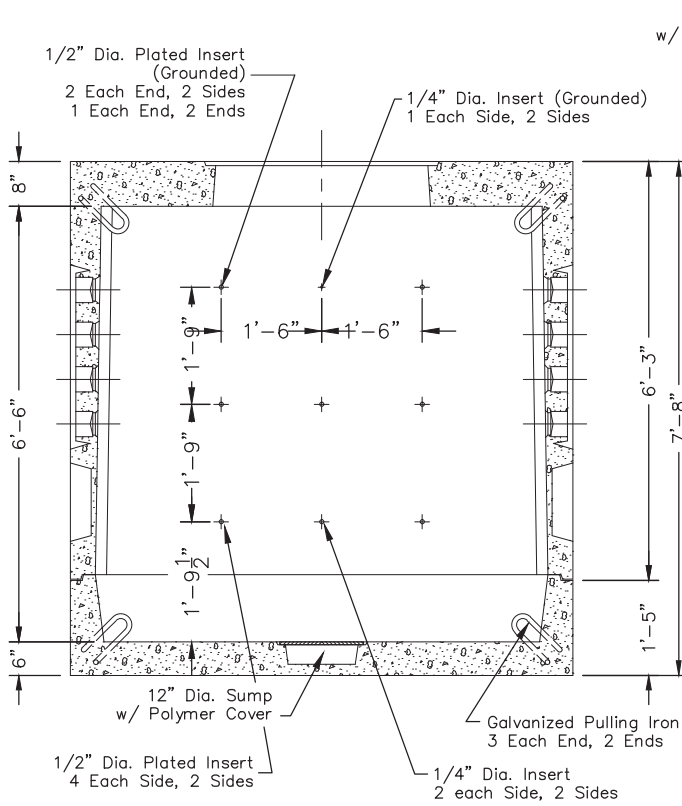
**FOR DETAILS, SEE REVERSE>>**

Items Shown Are Subject To Change Without Notice  
Issue Date: April 2016

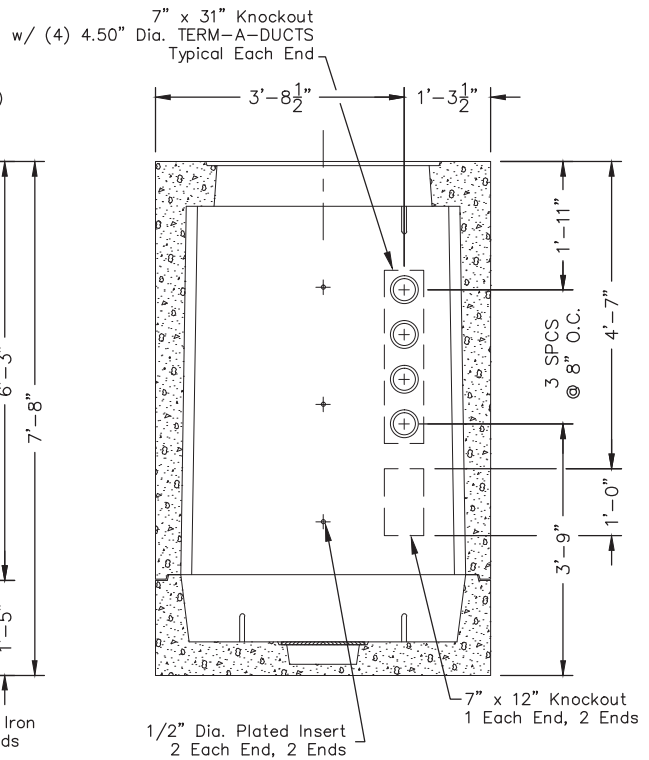
**FRONTIER-466 INTERCEPT**  
**ITEM CODE: 180015**



**PLAN VIEW**



**SECTION AA**



**SECTION BB**

SCALE: 3/8" = 1'-0"