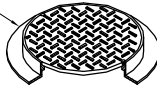
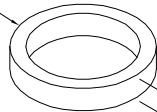
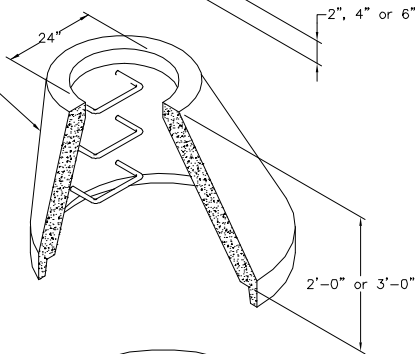


FRAME AND COVER

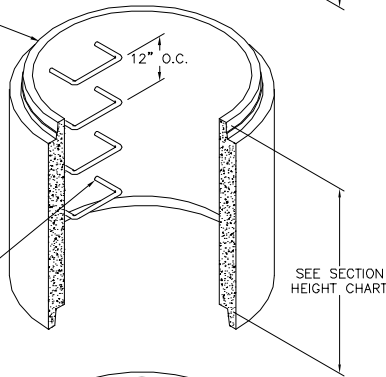
360 lbs


GRADE RING

 2" = 60 lbs
 4" = 120 lbs
 6" = 180 lbs

ECCENTRIC CONE

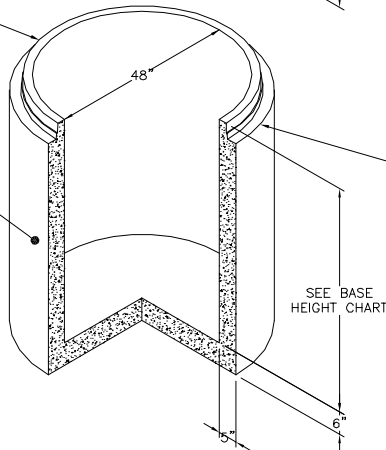
 2'-0" = 1,800 lbs
 3'-0" = 2,700 lbs

SECTION

SECTION HEIGHT CHART	
HEIGHT	WEIGHT
1'-0"	870 lbs
2'-0"	1,740 lbs
3'-0"	2,610 lbs
4'-0"	3,480 lbs
5'-0"	4,350 lbs

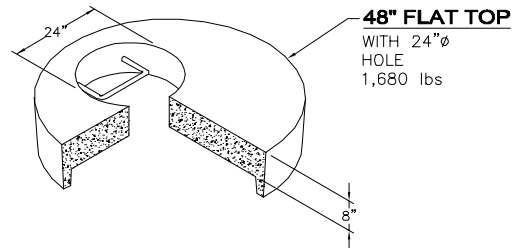
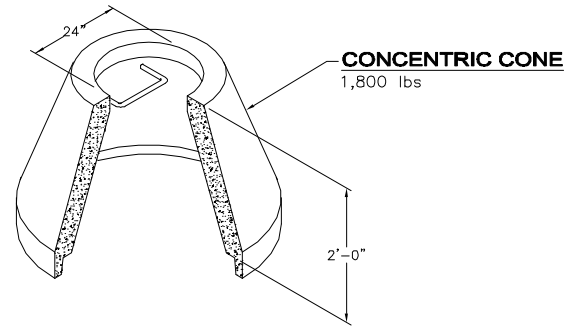
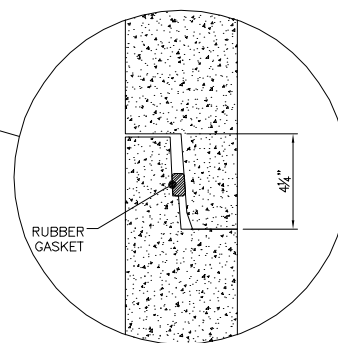
 STEP HOLES
 (SHOWN w/ STEPS)

BASE

 PENETRATIONS PROVIDED
 TO SUIT NEEDS

BASE HEIGHT CHART	
HEIGHT	WEIGHT
2'-0"	2,955 lbs
3'-0"	3,695 lbs
4'-0"	4,535 lbs
5'-0"	5,365 lbs


UTILITY VAULT MANHOLES:

- H-20 LOADING
- Manhole meets ASTM C478 and all WSDOT/APWA Standard Specifications
- Rubber gasket joint meets ASTM C443
- Polypropylene steps and ladders meet ASTM D4101
- Reinforcement area meets minimum ASTM C478 requirements:
 Flat Top = 0.12 in.²/linear ft. in both directions, with 0.20 in.² at 90° around opening
 2' tall Cones = 2 hoops of 0.250 in. dia. reinforcing bars
 3' tall Cone = 3 hoops of 0.250 in. dia. reinforcing bars
 Sections = 0.12 in.²/vertical ft.
 Bases = 0.12 in.²/linear ft. in both directions (slab), 0.12 in.²/vertical ft. (wall)
- Knockout sizes and locations available to meet job requirements
- Maximum hole size 36"
- Minimum distance between holes 8"


48" FLAT TOP
 WITH 24"Ø
 HOLE
 1,680 lbs

CONCENTRIC CONE
 1,800 lbs

JOINT DETAIL
AVAILABLE OPTIONS:

- Pre-channeling
- Coatings
- Kor-n-seal boots
- Saddle bases