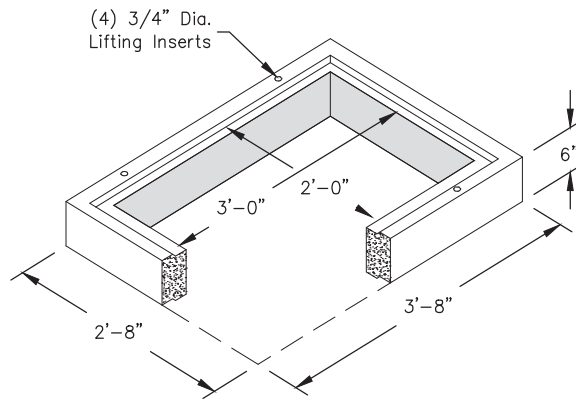
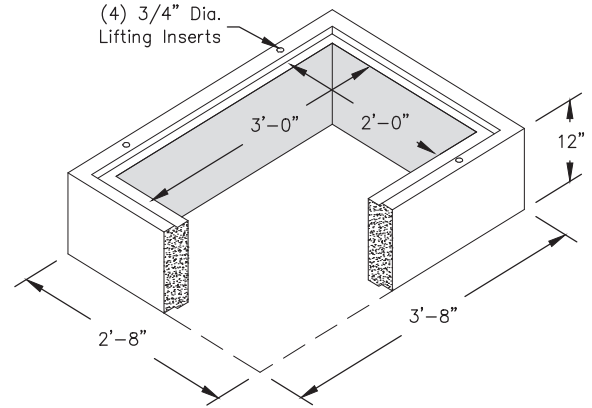


# RISER EXTENSIONS

RISER EXTENSIONS  
FOR USE WITH  
VAULTS No.  
233-LA

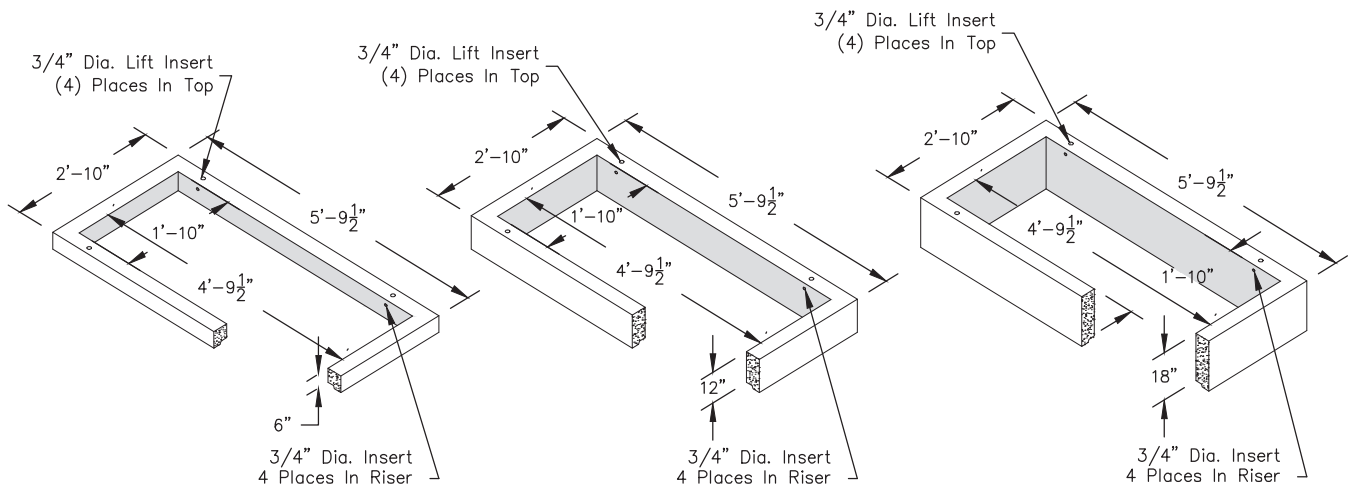


**No. 23R-6**  
6" RISER  
290 lbs



**No. 23R-12**  
12" RISER  
580 lbs

RISER EXTENSIONS  
FOR USE WITH  
VAULTS No.  
25-TA  
25-SA  
25-CPS



**No. 25R-6**  
6" RISER  
620 lbs

**No. 25R-12**  
12" RISER  
1170 lbs

**No. 25R-18**  
18" RISER  
1,730 lbs

Items Shown Are Subject To Change Without Notice  
Issue Date: April 2016