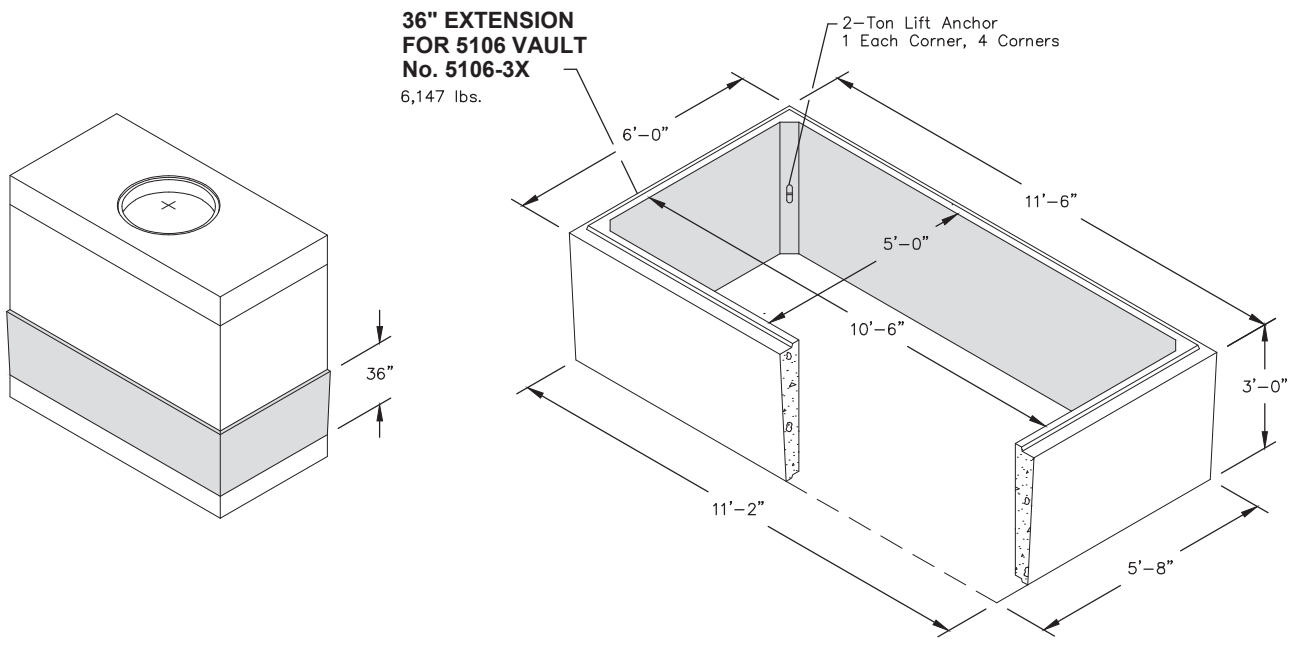
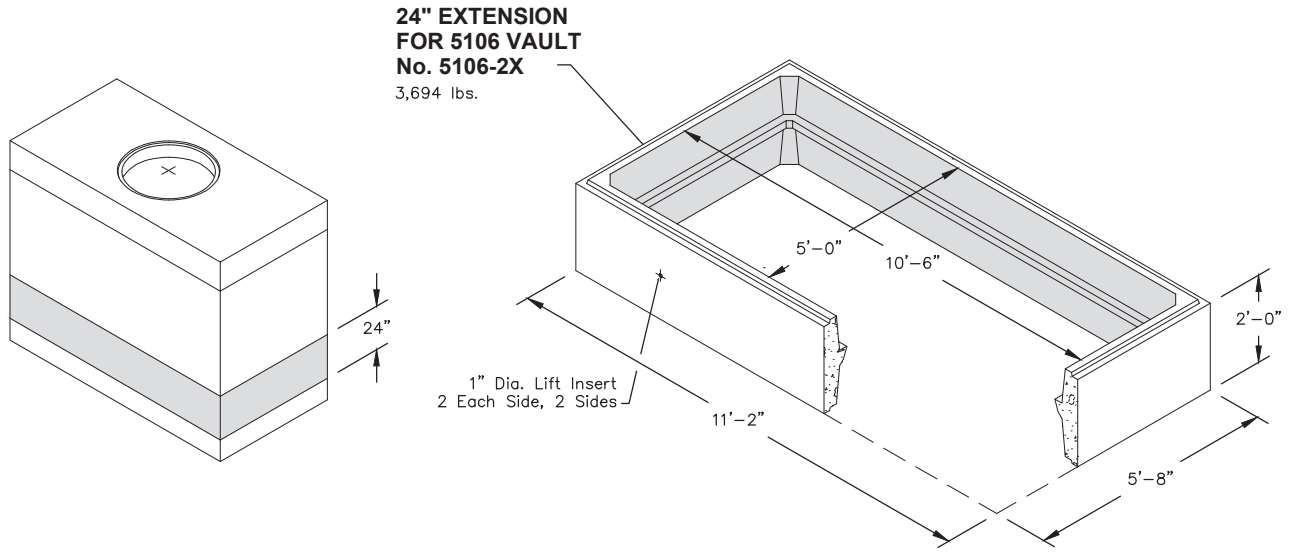


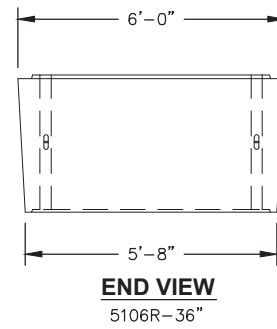
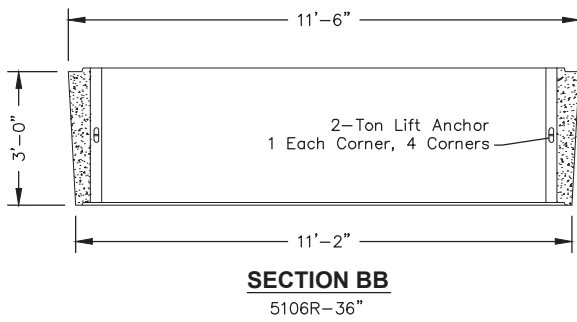
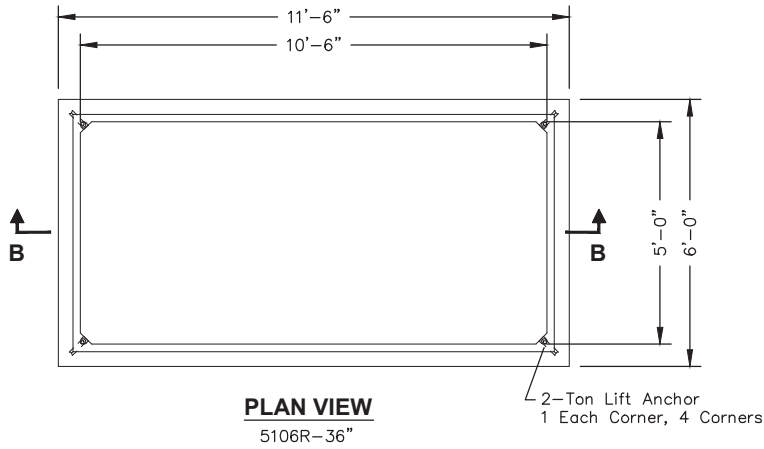
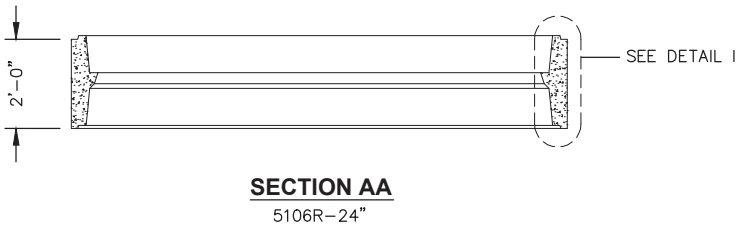
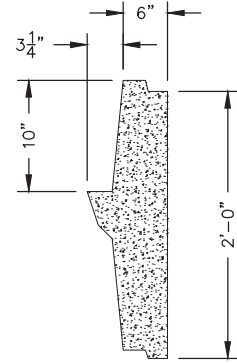
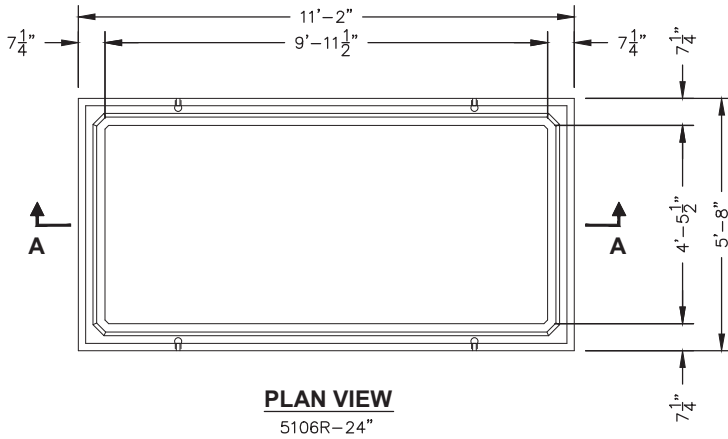
5106-2X/5106-3X



FOR DETAILS, SEE REVERSE>>

Items Shown Are Subject To Change Without Notice
Issue Date: April 2016

5106-2X/5106-3X



SCALE: 1/4" = 1'-0"