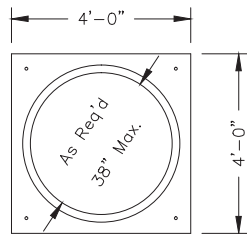
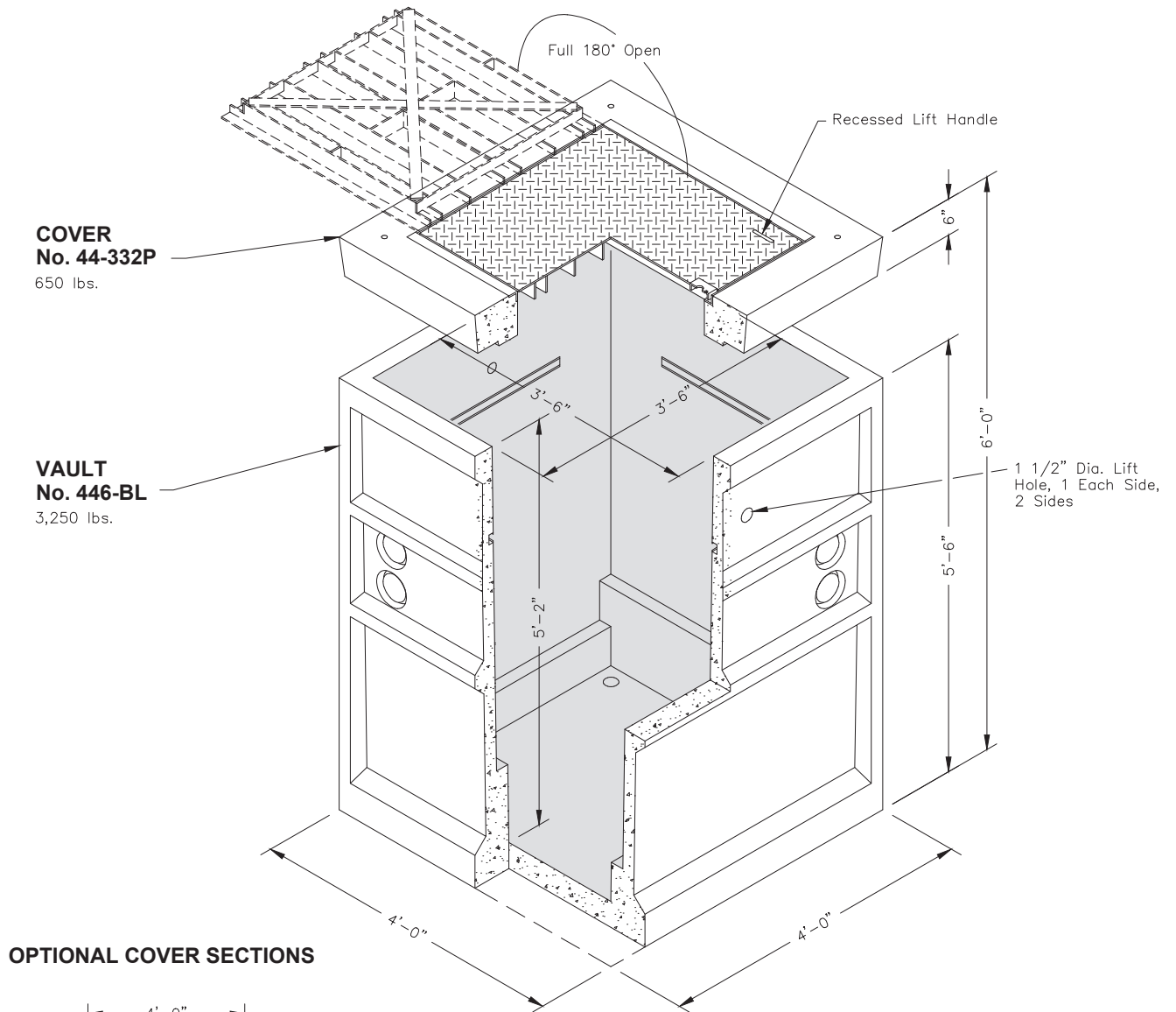


446-LA



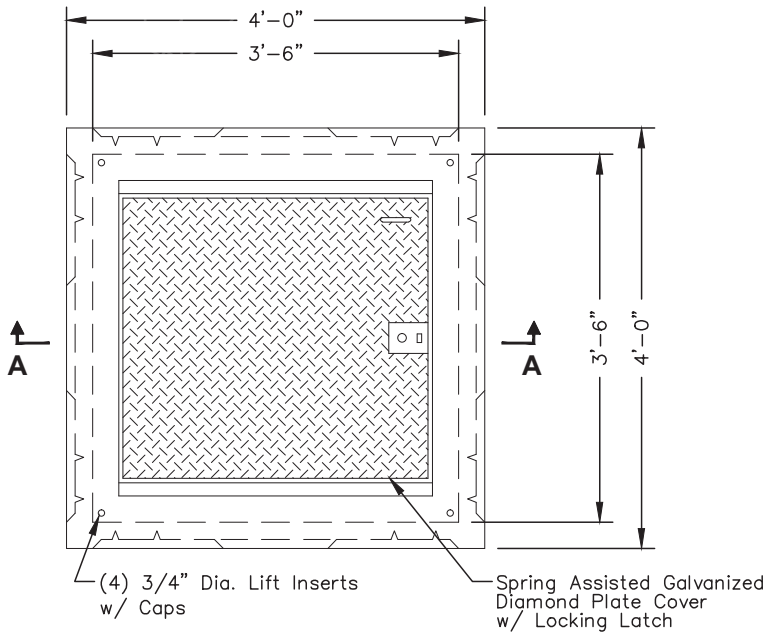
ROUND ACCESS
No. 44-38C (Shown)
600 lbs.

Non Skid Covers Available

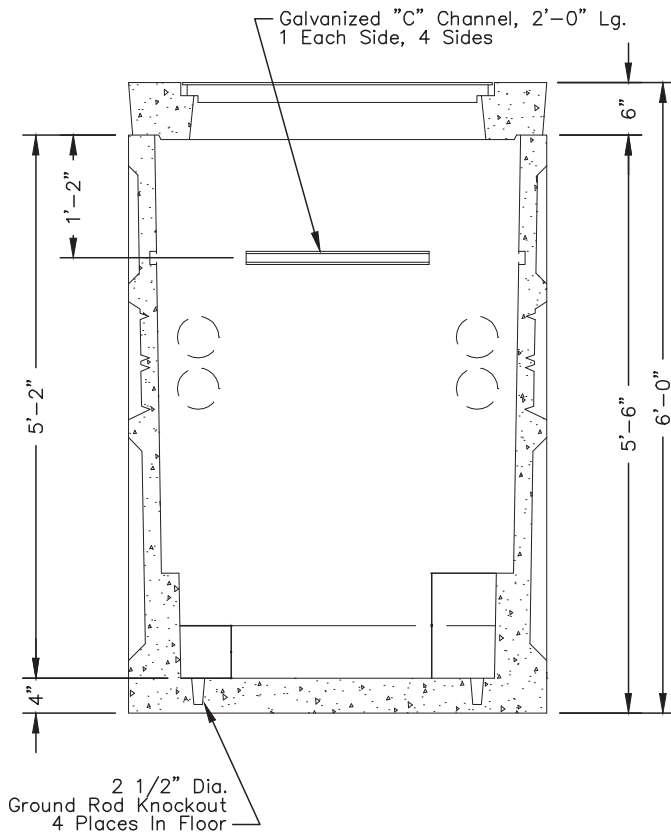
FOR DETAILS, SEE REVERSE>>

Items Shown Are Subject To Change Without Notice
Issue Date: April 2016

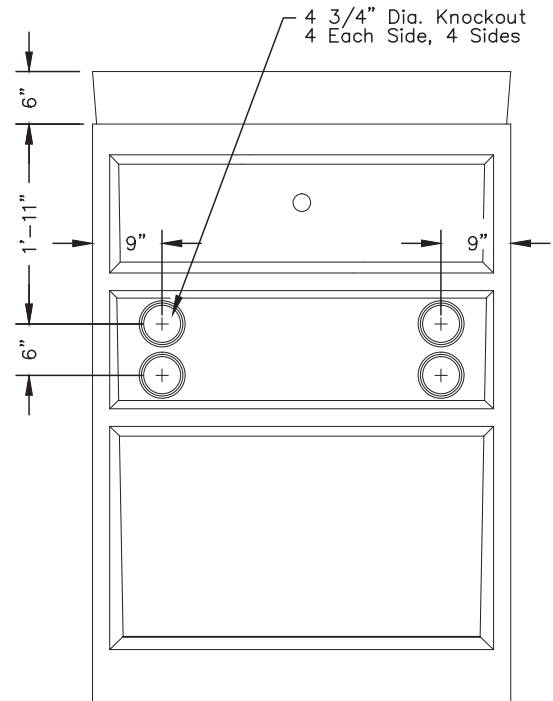
446-LA



PLAN VIEW



SECTION AA



END VIEW

SCALE: 1/2" = 1'-0"