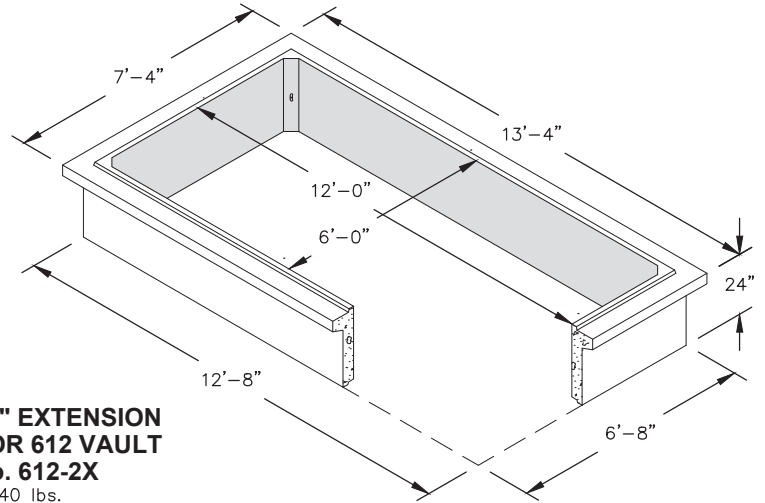
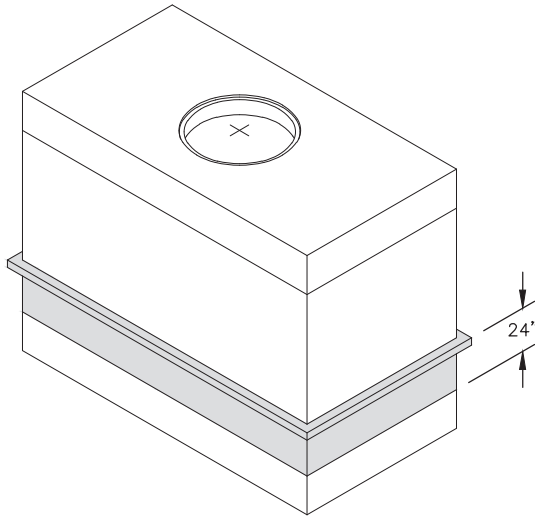
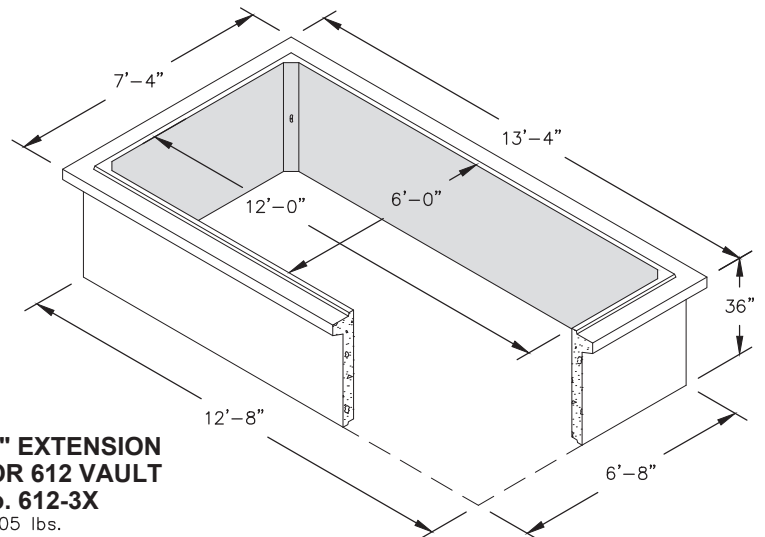
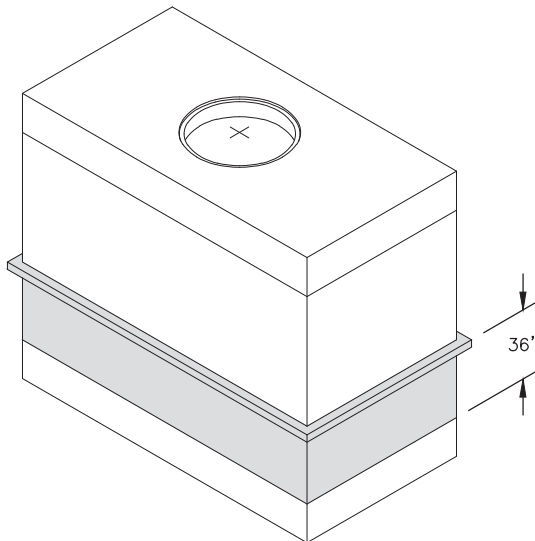


# 612-2X/612-3X



**24" EXTENSION  
FOR 612 VAULT  
No. 612-2X**  
4,440 lbs.

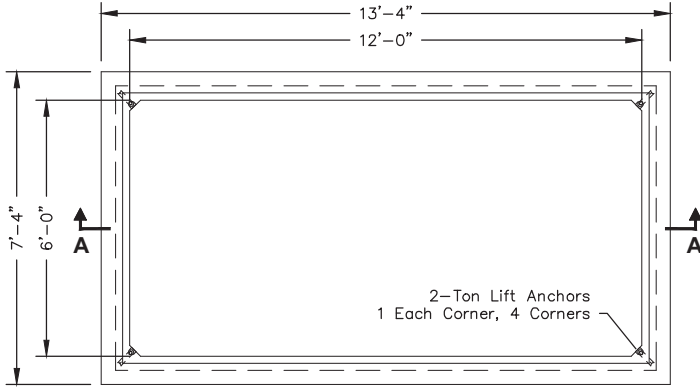


**36" EXTENSION  
FOR 612 VAULT  
No. 612-3X**  
6,205 lbs.

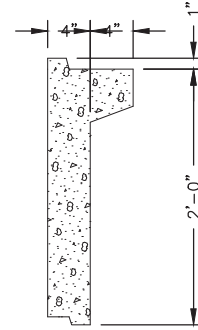
**FOR DETAILS, SEE REVERSE>>**

Items Shown Are Subject To Change Without Notice  
Issue Date: April 2016

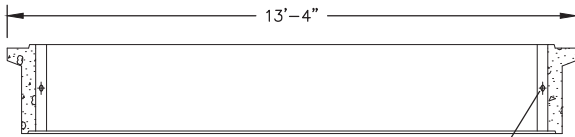
# 612-2X/612-3X



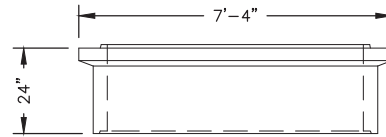
**PLAN VIEW**  
612-2X RISER



**SECTION DETAIL**  
SCALE: 3/4"=1'-0"



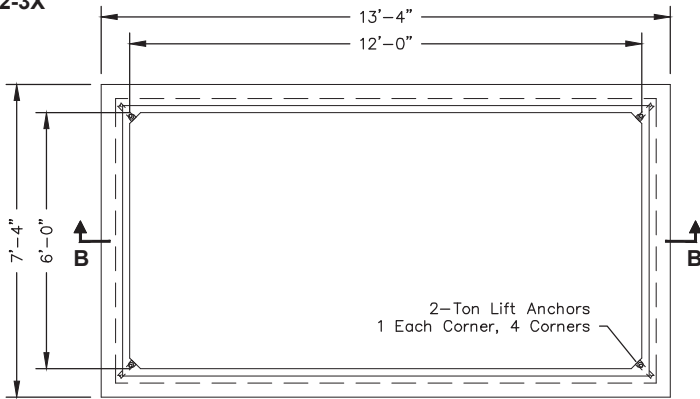
**SECTION AA**  
612-2X RISER



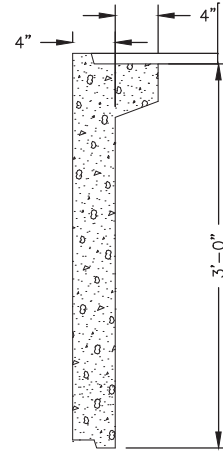
**END VIEW**  
612-2X RISER

612-2X

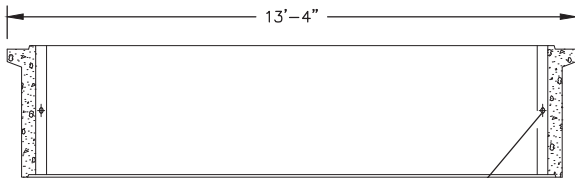
612-3X



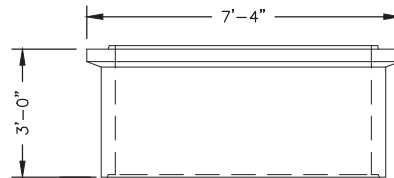
**PLAN VIEW**  
612-3X RISER



**SECTION DETAIL**  
SCALE: 3/4"=1'-0"



**SECTION BB**  
612-3X RISER



**END VIEW**  
612-3X RISER

SCALE: 1/4" = 1'-0"