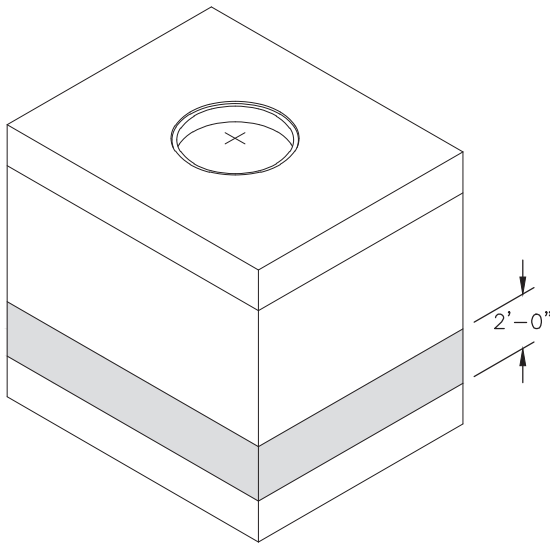
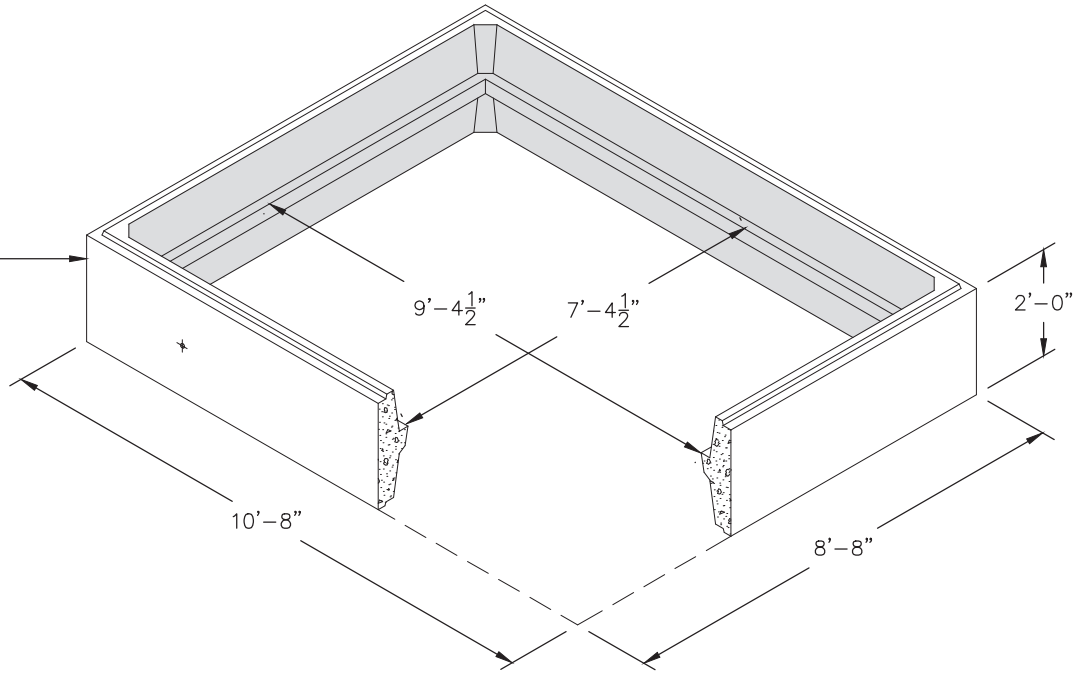


810-2X

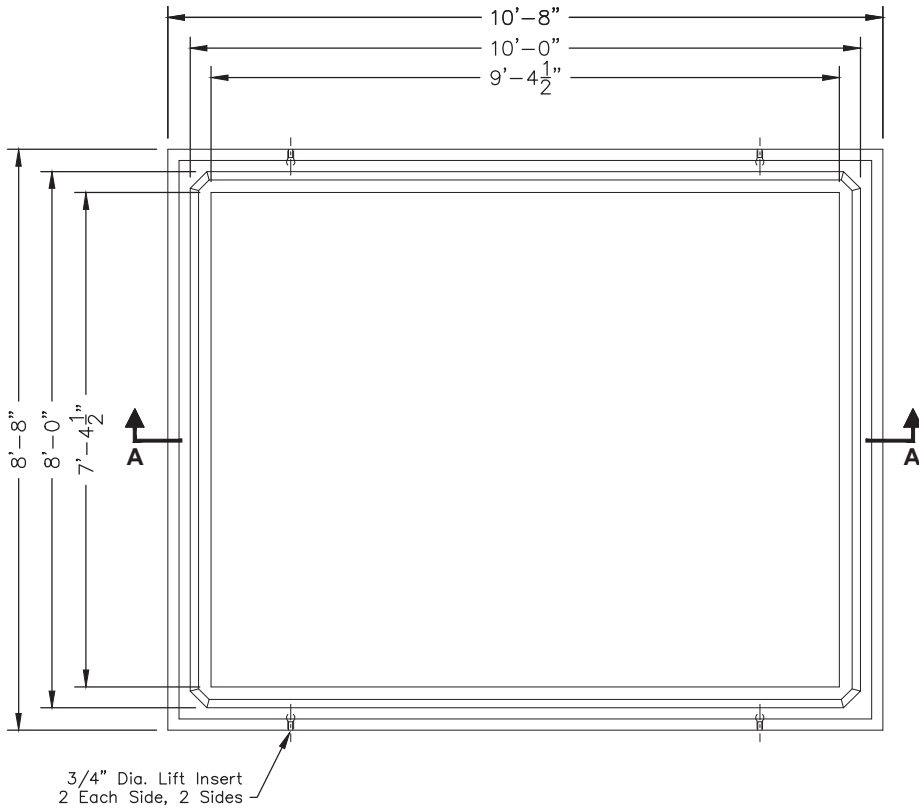
**24" EXTENSION
FOR 810 VAULT
No. 810-2X**
4,550 lbs.



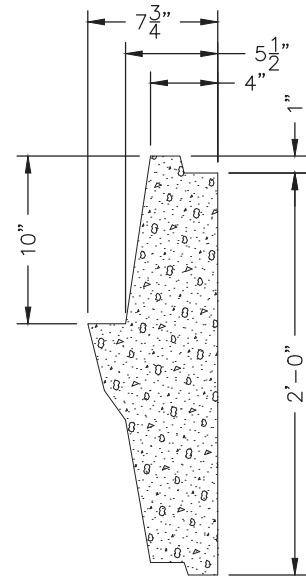
FOR DETAILS, SEE REVERSE>>

Items Shown Are Subject To Change Without Notice
Issue Date: April 2016

810-2X

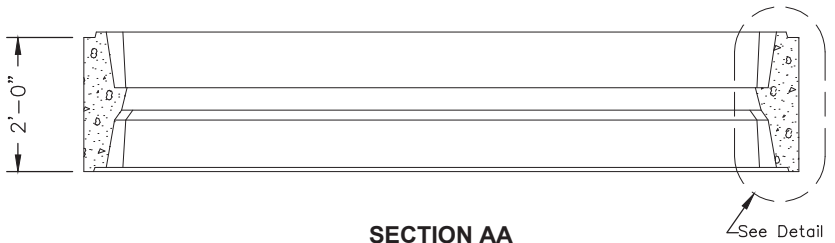


PLAN VIEW



DETAIL I

SCALE: 3/4" = 1'-0"



SECTION AA

SCALE: 3/8" = 1'-0"