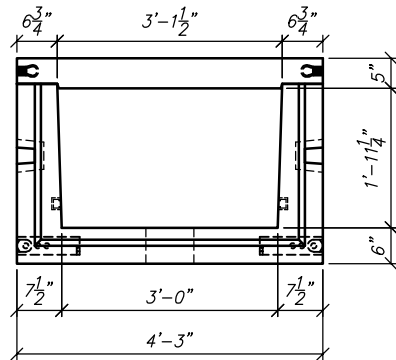


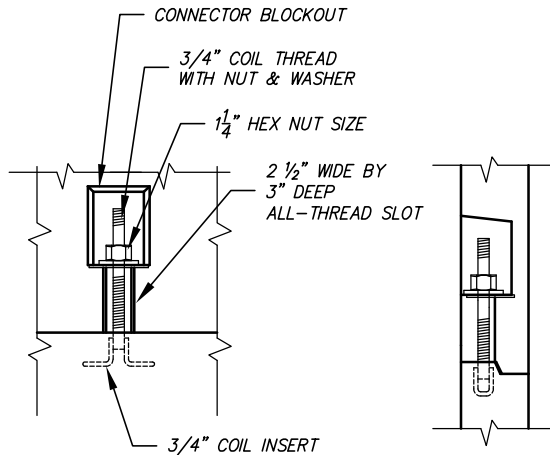
REV	DESCRIPTION	BY	DATE
A	NCS UPDATES	CP	7/3/17



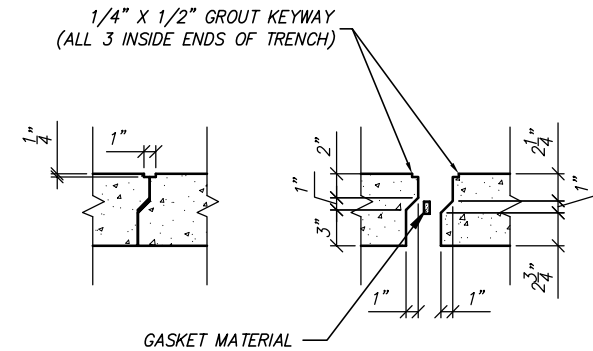
END VIEW

SCALE: 3/8" = 1'-0"

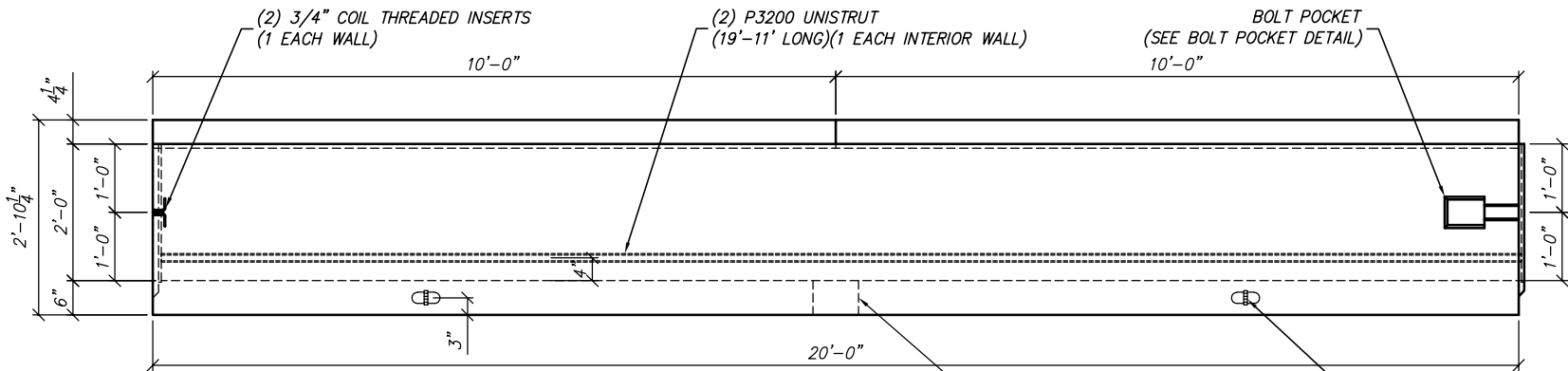
(GROUT KEYWAY NOT SHOWN FOR CLARITY)



BOLT POCKET DETAIL



SECTION VIEW OF KEYWAY



SIDE VIEW

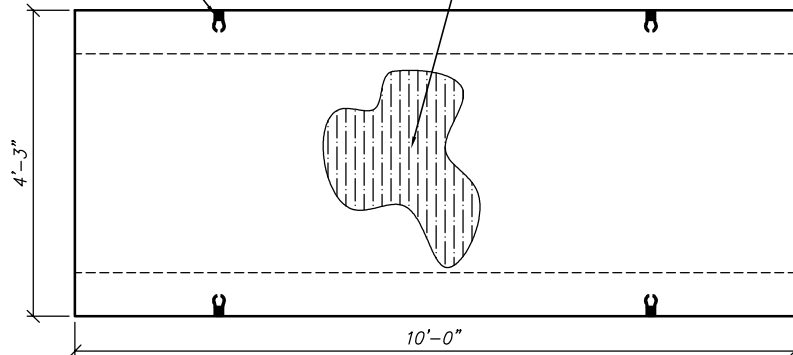
SCALE: 3/8" = 1'-0"

(4) 3/4" FERRULE LOOP INSERTS
(IN SIDES OF SLAB FOR LIFTING)

SLAB TO RECEIVE A
BROOM FINISH

8" DIA. SUMP HOLE (CENTERED)

(4) 4-TON BURKE RL-6
ERECTION ANCHORS



PLAN VIEW OF SLAB TOP

SCALE: 3/8" = 1'-0"

STRUCTURAL NOTES

1. CONCRETE: 28 DAY COMPRESSIVE STRENGTH $f'_c = 5,000$ psi
2. REBAR: ASTM A-615 GRADE 60
3. MESH: ASTM A-1064 GRADE 65
4. DESIGN: ACI 318-14 BUILDING CODE
ASTM C-857 "MINIMUM STRUCTURAL DESIGN
LOADING FOR UNDERGROUND PRECAST
CONCRETE UTILITY STRUCTURES"
5. LOADS: NON-TRAFFIC
SOIL: 40 PCF LATERAL SOIL PRESSURE ABOVE WATER TABLE
80 PCF LATERAL SOIL PRESSURE BELOW WATER TABLE
120 PCF SOIL DENSITY
6. SOIL COVER: NONE
7. WATER TABLE: 5'-0" BELOW GRADE

GENERAL NOTES

1. ALL JOINTS SHALL BE SEALED USING CONSEAL CS-101 BUTYL RUBBER ROPE.



THIS DOCUMENT IS THE PROPERTY OF OLDCASTLE PRECAST, INC. IT IS CONFIDENTIAL, SUBMITTED FOR REFERENCE PURPOSES ONLY, AND SHALL NOT BE USED IN ANY WAY INJURIOUS TO THE INTERESTS OF, OR WITHOUT THE WRITTEN PERMISSION OF OLDCASTLE PRECAST, INC. COPYRIGHT ©2017 OLDCASTLE PRECAST, INC. ALL RIGHTS RESERVED

3' x 2' CABLE TRENCH TYPE I

GILA BEND SOLAR - SOLANA POWER PLANT

STANDARD

DATE	SALES	DRAWN	ENGINEER	CHECKED	SALES ORDER
1/21/13	AT	AT			
DRAWING NUMBER				REVISION	SHEET
11A2001-1				REV DATE	1 OF 1