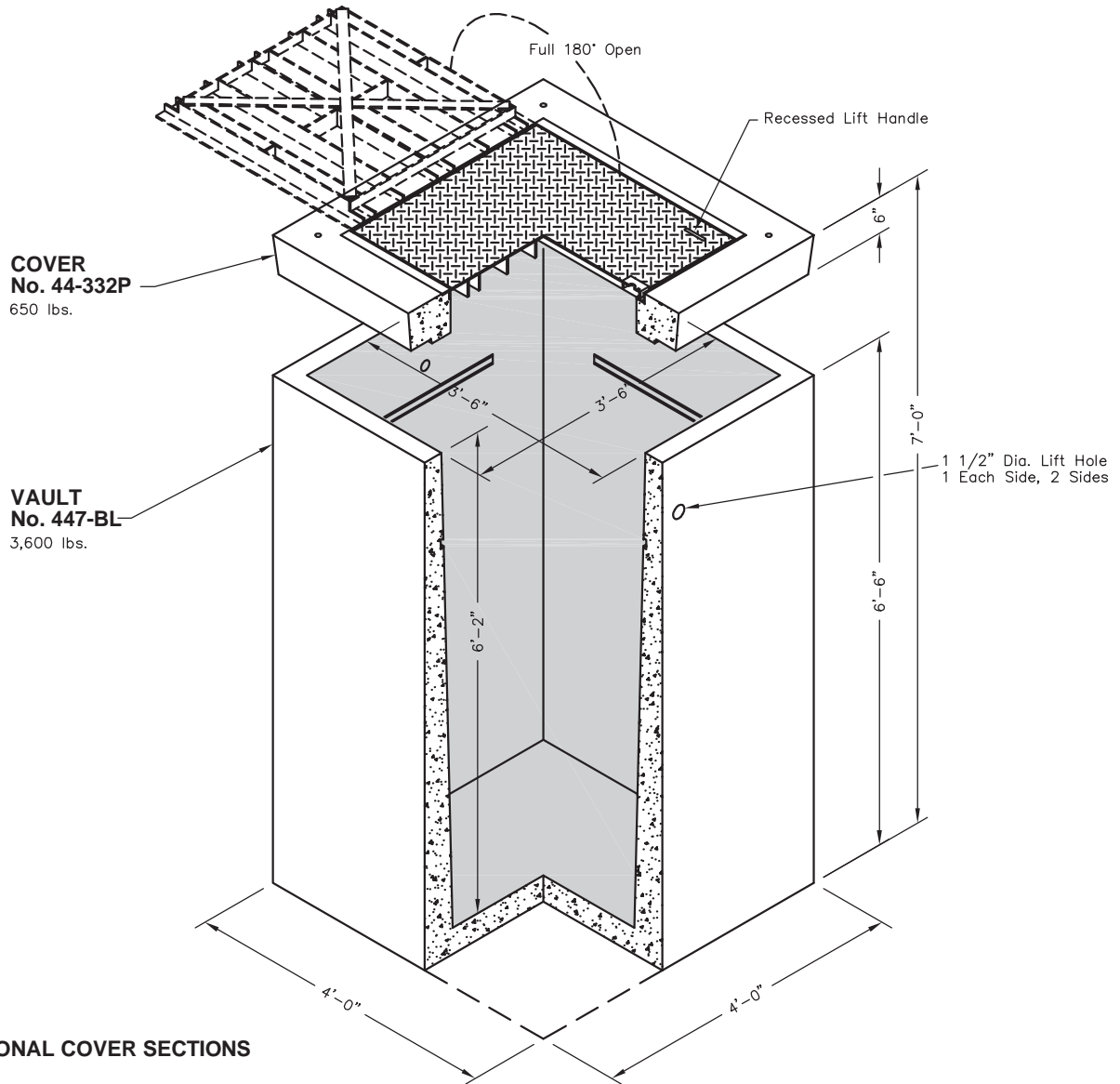
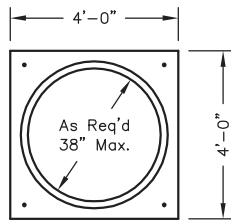


# 447-LA



**OPTIONAL COVER SECTIONS**



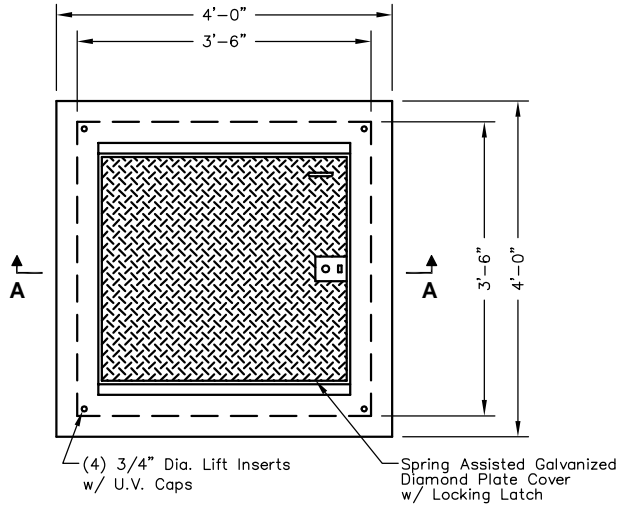
**ROUND ACCESS**  
No. 44-38C (Shown)  
600 lbs.

Non Skid Covers Available

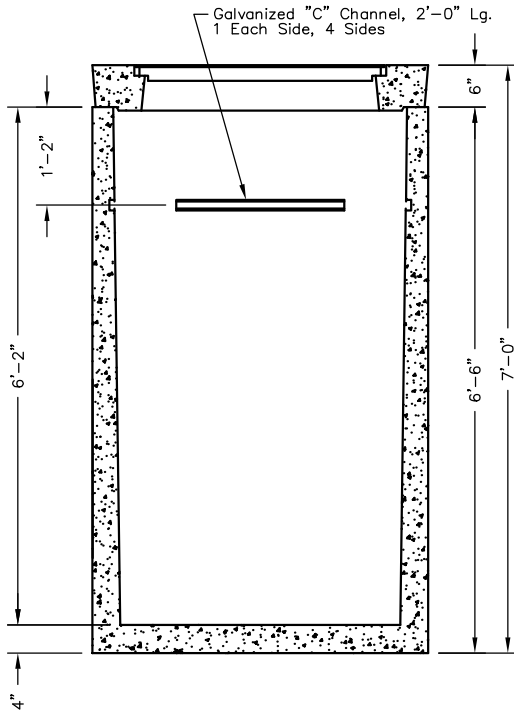
**FOR DETAILS, SEE REVERSE>>**

Items Shown Are Subject To Change Without Notice  
Issue Date: April 2016

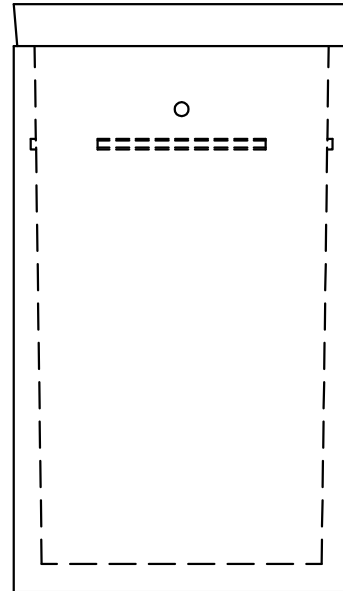
**447-LA**



**PLAN VIEW**



**SECTION AA**



**END VIEW**

SCALE: 1/2"=1'-0"