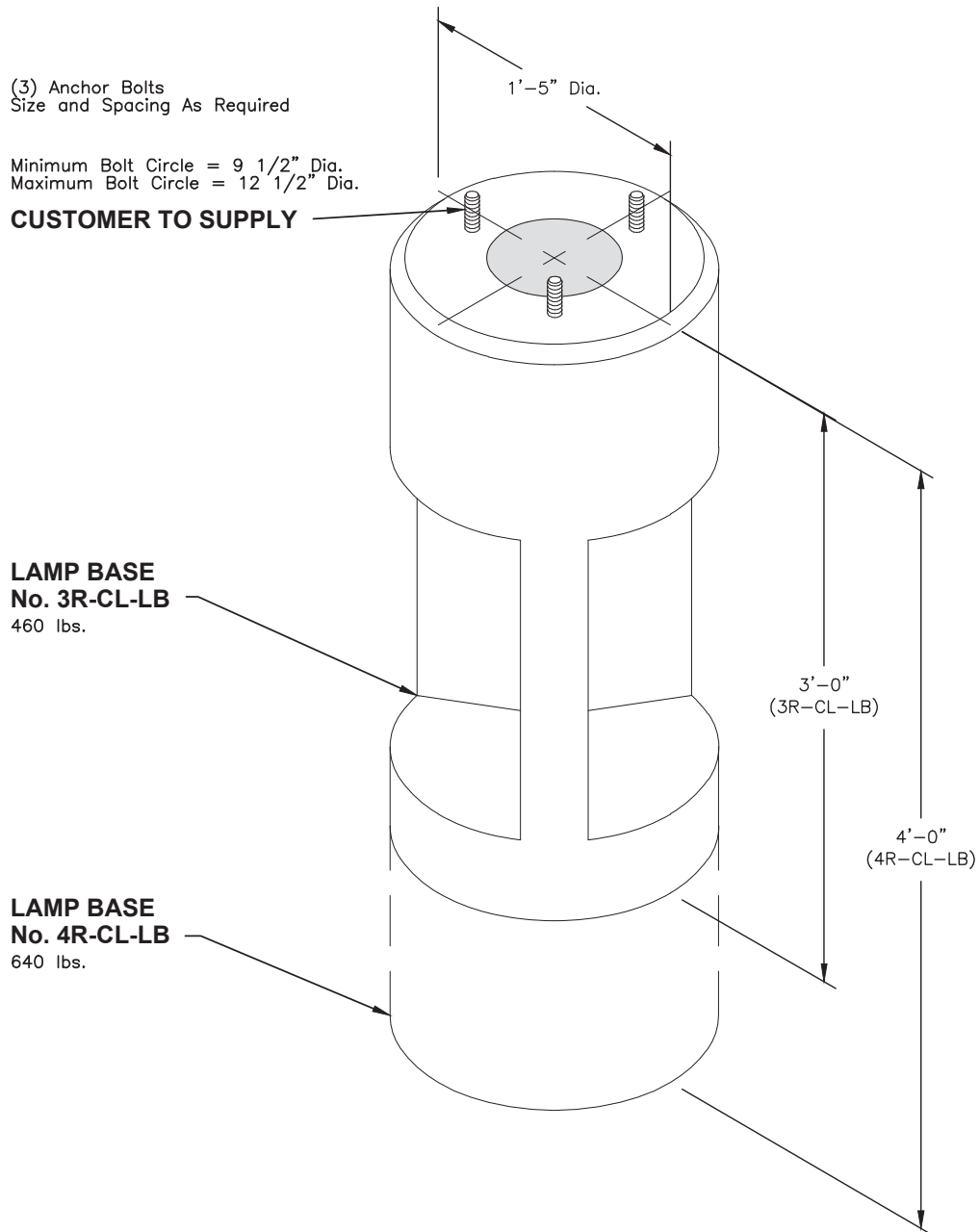


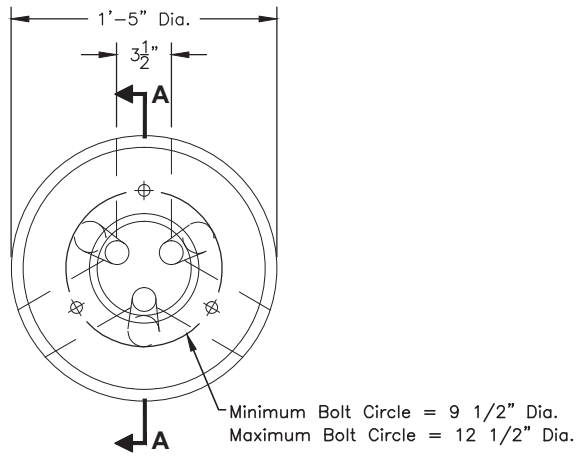
3R/4R-CL-LB Precast Lamp Base Footings



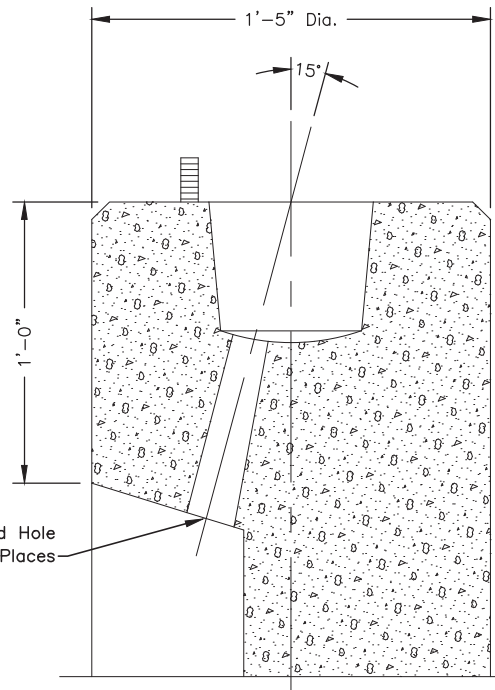
FOR DETAILS, SEE REVERSE>>

Items Shown Are Subject To Change Without Notice
Issue Date: April 2016

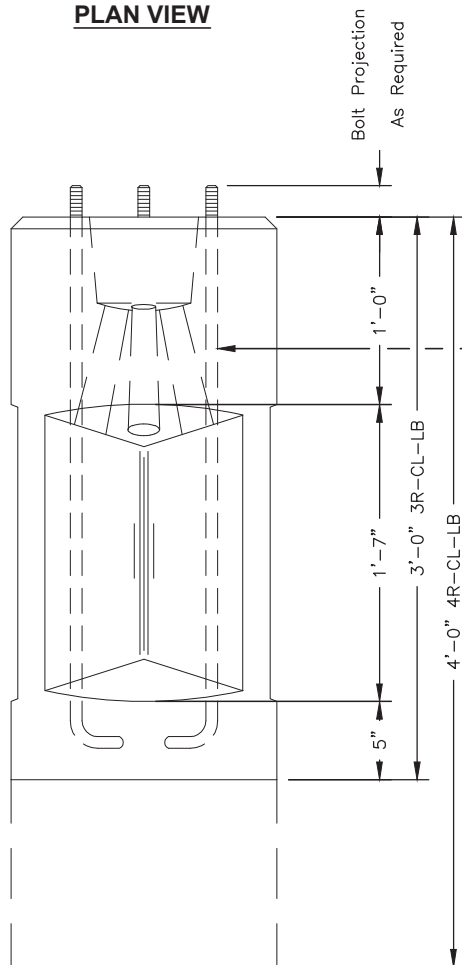
3R/4R-CL-LB



PLAN VIEW



SECTION AA



SIDE VIEW

CUSTOMER TO SUPPLY ANCHOR BOLTS
ANCHOR BOLTS MUST BE 3'-0" LONG IN 3R-CL-LB
ANCHOR BOLTS MUST BE 4'-0" LONG IN 4R-CL-LB

SCALE: 1" = 1'-0"