

4CL-LB/5CL-LB Precast Lamp Base Footings

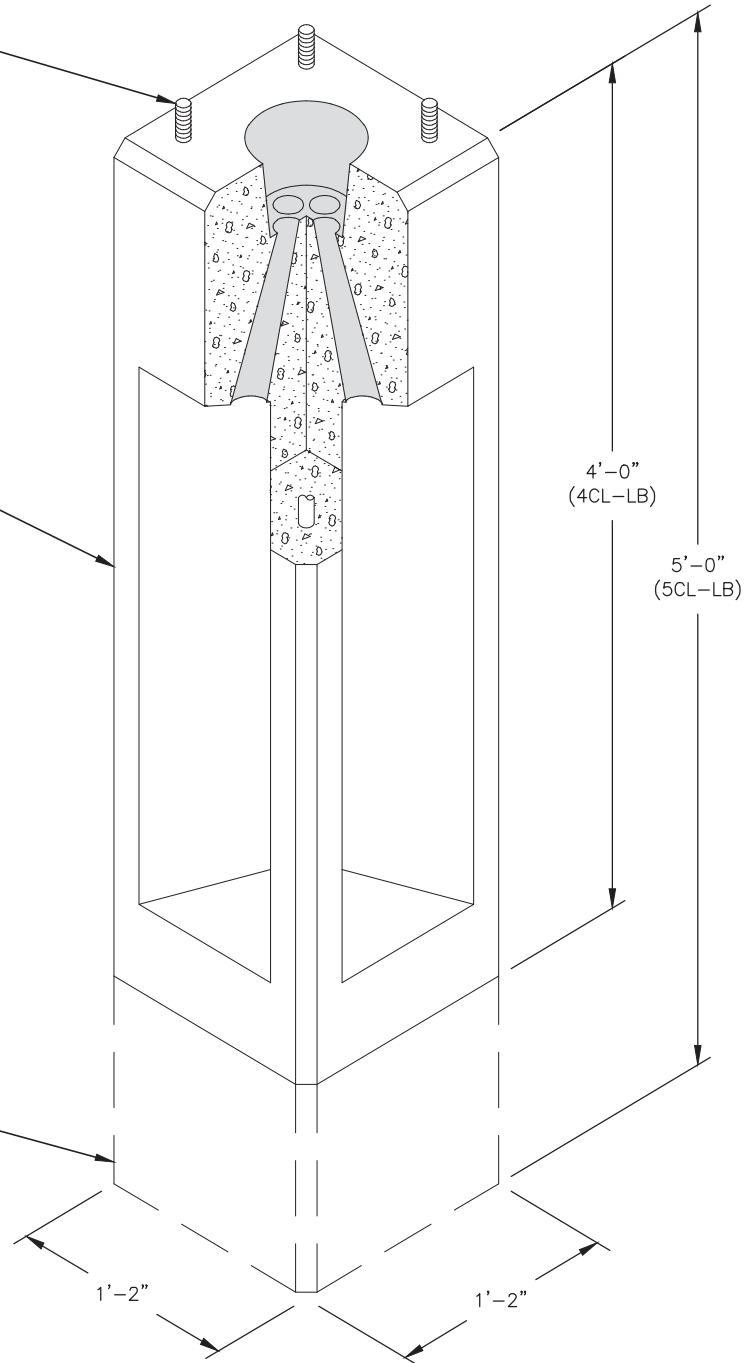
(4) Anchor Bolts
Size and Spacing As Required

CUSTOMER TO SUPPLY

Minimum Bolt Circle = 8" Dia.
Maximum Bolt Circle = 12" Dia.

**LAMP BASE
NO. 4CL-LB**
550 lbs.

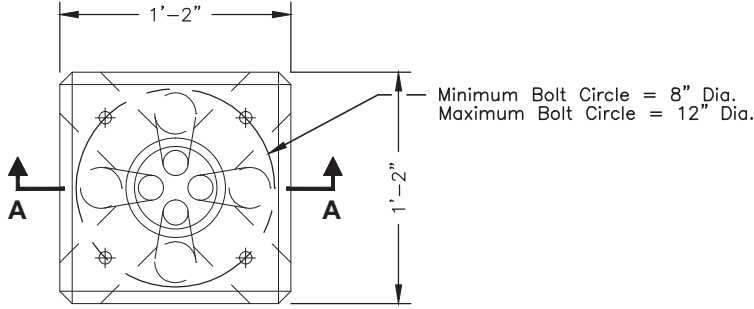
**LAMP BASE
NO. 5CL-LB**
670 lbs.



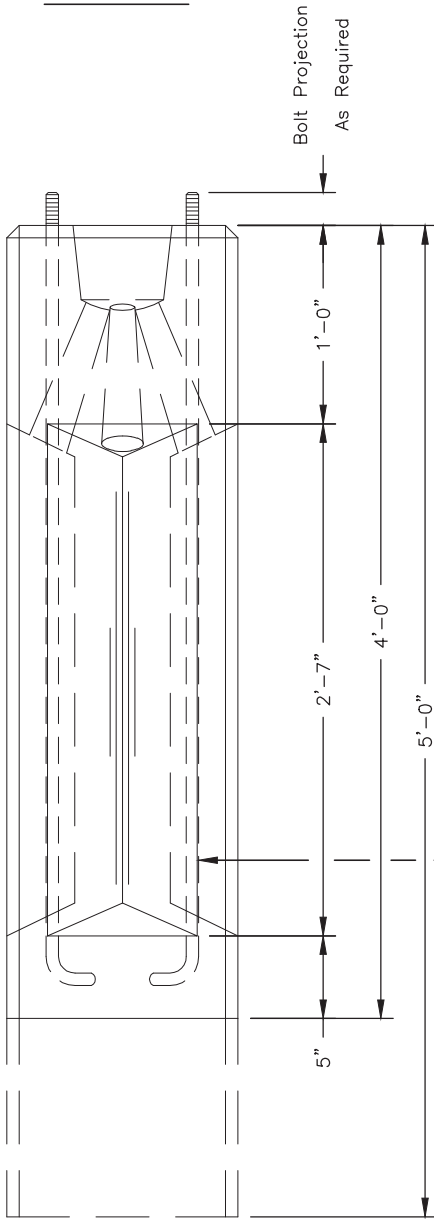
FOR DETAILS, SEE REVERSE>>

Items Shown Are Subject To Change Without Notice
Issue Date: April 2016

4CL-LB/5CL-LB

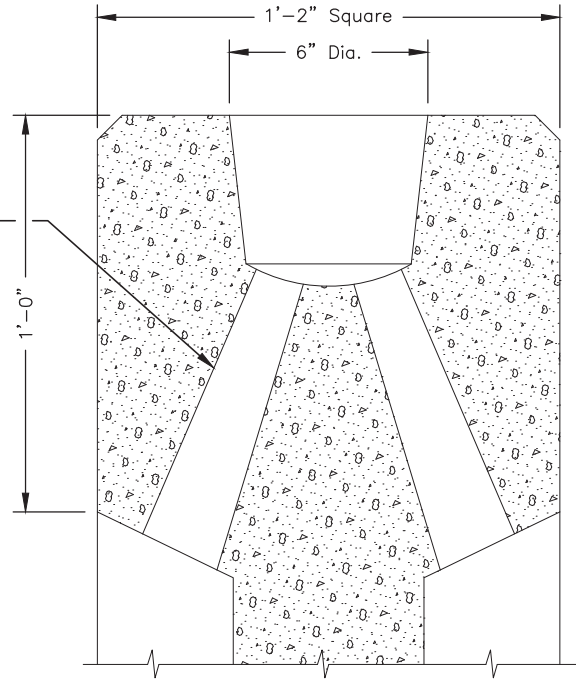


PLAN VIEW



SIDE VIEW

1 1/2" to 2 1/2"
Tapered Hole
4 Places



SECTION AA

CUSTOMER TO SUPPLY ANCHOR BOLTS

SCALE: 1" = 1'-0"