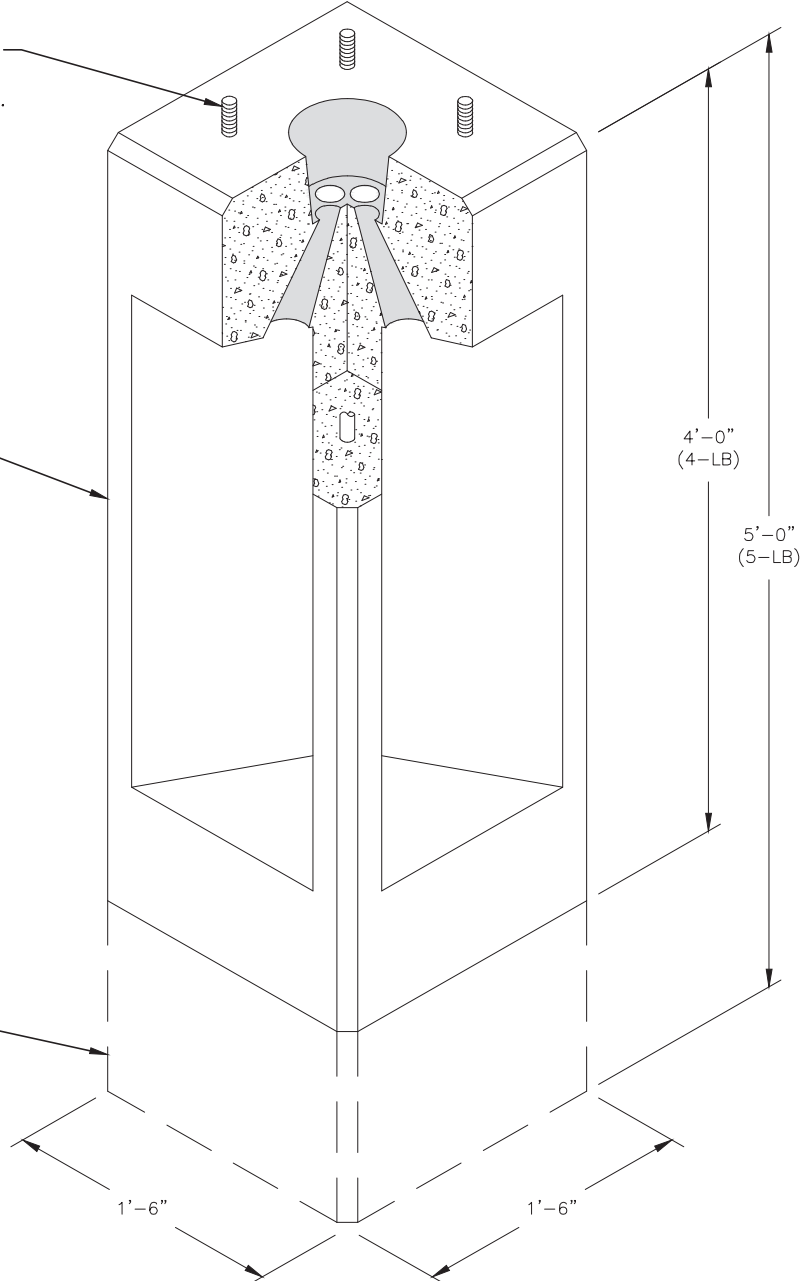


4-LB/5LB Precast Lamp Base Footings

(4) Anchor Bolts
Size and Spacing As Required
CUSTOMER TO SUPPLY
Minimum Bolt Circle = 8" Dia.
Maximum Bolt Circle = 16" Dia.

**LAMP BASE
NO. 4-LB**
1,080 lbs.

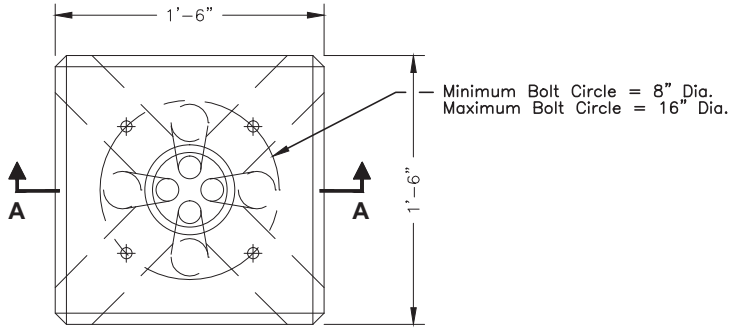
**LAMP BASE
NO. 5-LB**
1,420 lbs.



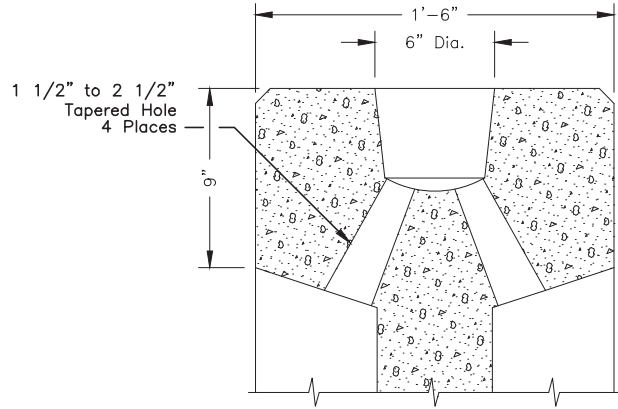
FOR DETAILS, SEE REVERSE>>

Items Shown Are Subject To Change Without Notice
Issue Date: April 2016

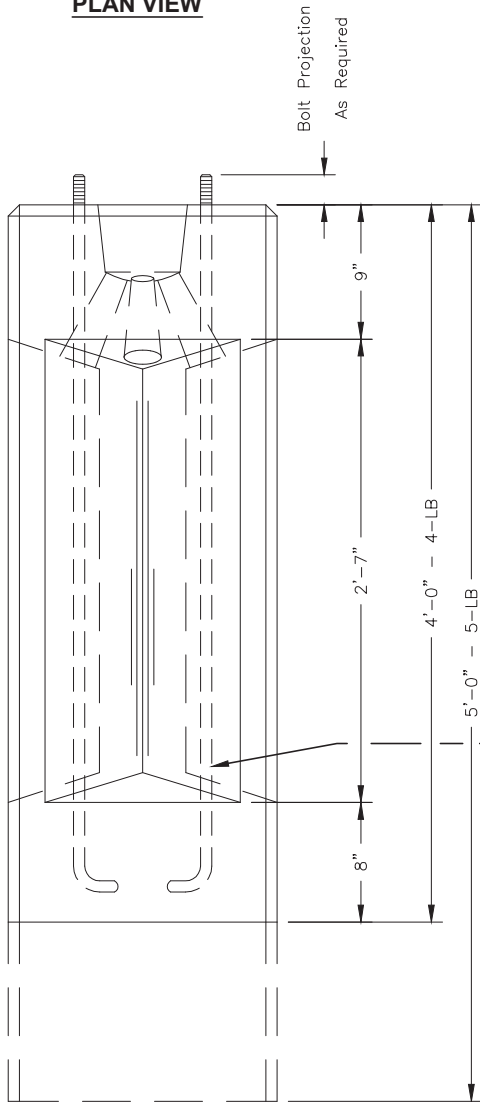
4-LB/5-LB



PLAN VIEW



SECTION AA



SIDE VIEW

SCALE: 1" = 1'-0"