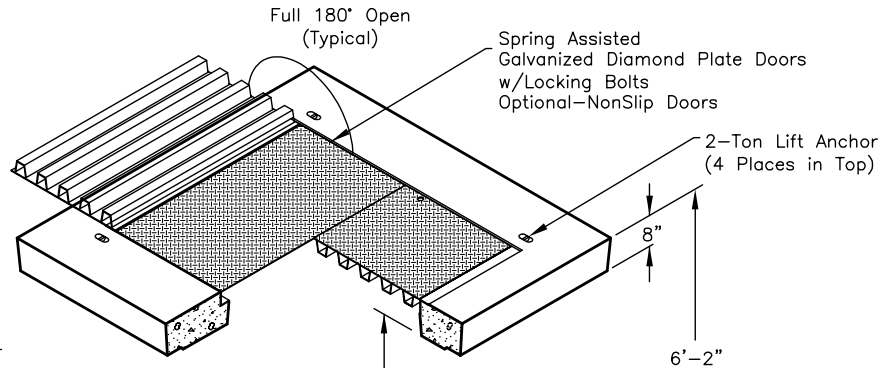


TOP INCIDENTAL TRAFFIC

No. 77-8-T-4860P-PCORP (Shown)

PCORP #7992594
3,370 lbs.

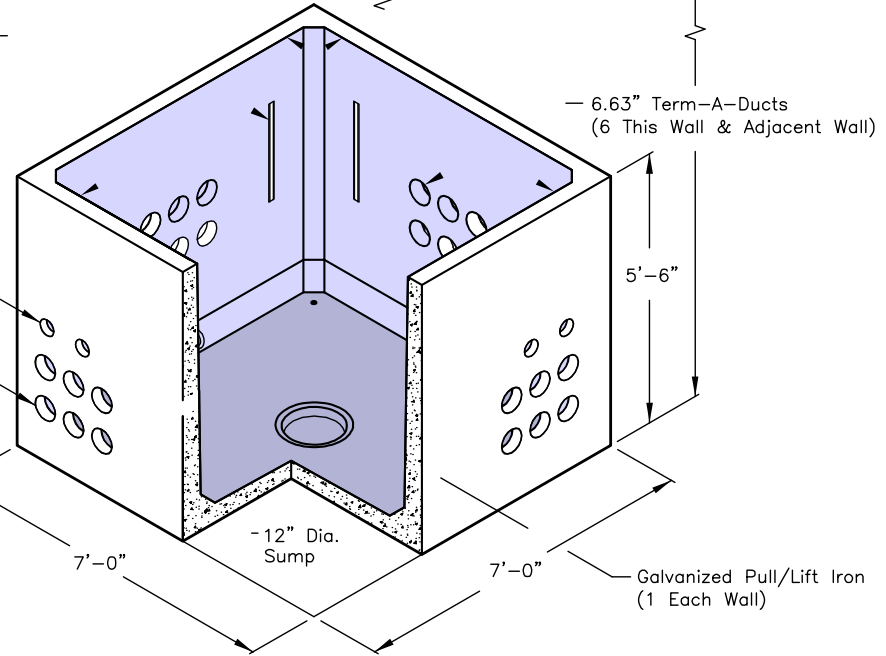


2'-0" Long Galvanized Vertical "C" Channel (2 Each 2 Walls & 1 Each 2 Walls)
(6) - 1/2" Dia. Grounding Inserts (2 Inside, 1 Outside This Wall & Opposite Wall)

BASE No. 776-66-B-PCORP

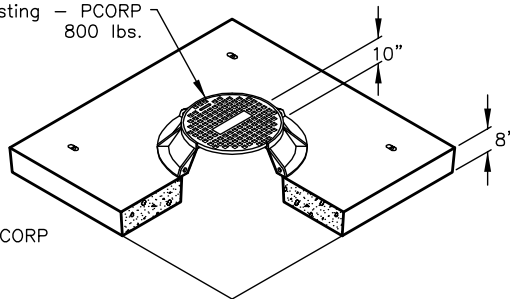
10,420 lbs.

2.38" Term-A-Ducts (2 This Wall & Adjacent Wall)
6.63" Term-A-Ducts (6 This Wall & Adjacent Wall)



OPTIONAL TOP

No. 30" x 10" Casting - PCORP 800 lbs.



FULL TRAFFIC
No. 77-8-T-38C-PCORP
PCORP #7992595
4,450 lbs.

PCORP ZG 631 8-13-12