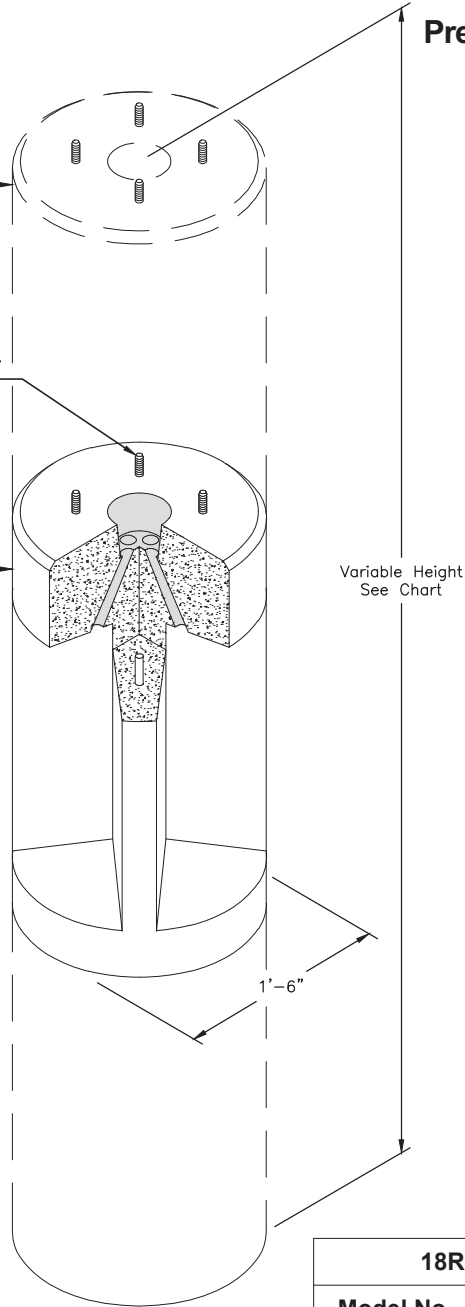


18R-V-LB-P Precast Lamp Base Footings

**LAMP BASE
No. 18R-V-LB-P**
See Chart For Weights

Anchor Bolts
Size and Spacing As Required
Minimum Bolt Circle = 8" Dia.
Maximum Bolt Circle = 14" Dia.
CUSTOMER TO SUPPLY

**LAMP BASE
No. 18R-V-LB-PS**
See Chart For Weights



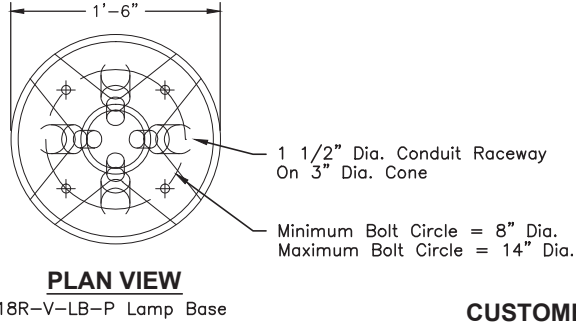
18R-V-LB-PS CHART		
Model No.	Height	Weight
18R-3-LB-PS	3'-0"	520 lbs.
18R-4-LB-PS	4'-0"	790 lbs.
18R-5-LB-PS	5'-0"	1,050 lbs.
18R-6-LB-PS	6'-0"	1,320 lbs.
18R-7-LB-PS	7'-0"	1,580 lbs.
18R-8-LB-PS	8'-0"	1,850 lbs.

18R-V-LB-P CHART		
Model No.	Height	Weight
18R-5-LB-P	5'-0"	1,040 lbs.
18R-6-LB-P	6'-0"	1,320 lbs.
18R-7-LB-P	7'-0"	1,580 lbs.
18R-8-LB-P	8'-0"	1,850 lbs.

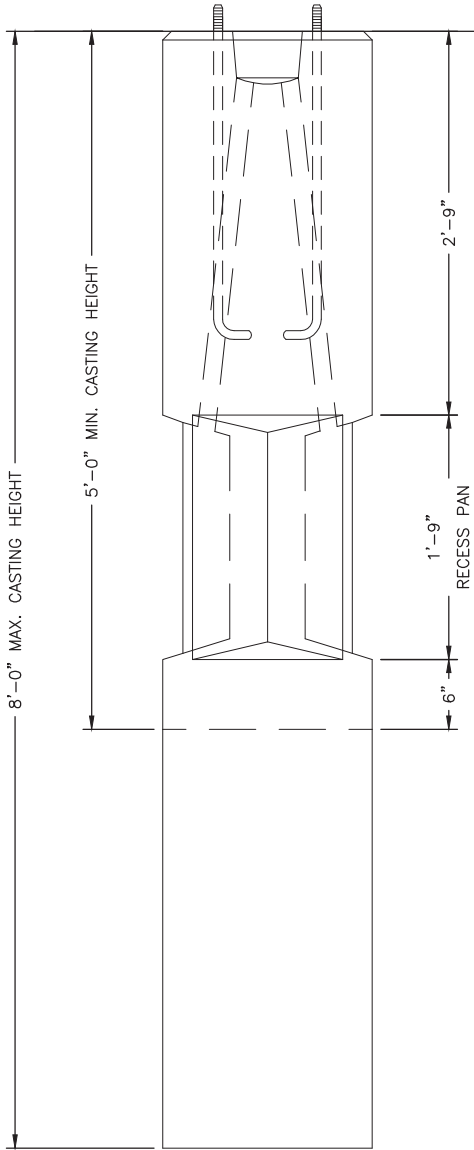
FOR DETAILS, SEE REVERSE>>

Items Shown Are Subject To Change Without Notice
Issue Date: April 2016

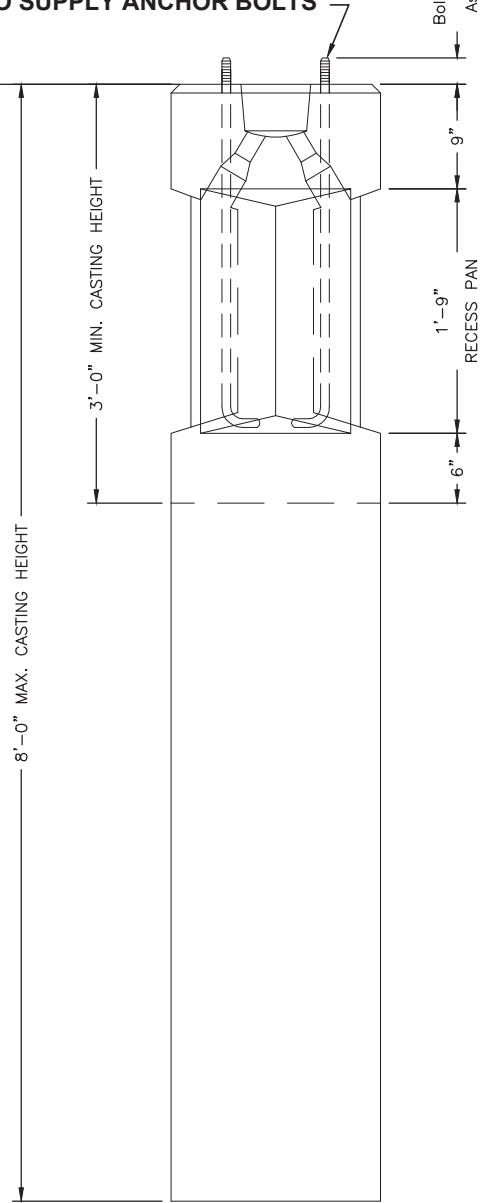
18R-V-LB-P



CUSTOMER TO SUPPLY ANCHOR BOLTS



SIDE VIEW
18R-V-LB-P Lamp Base



SIDE VIEW
18R-V-LB-PS Lamp Base

SCALE: 3/4" = 1'-0"