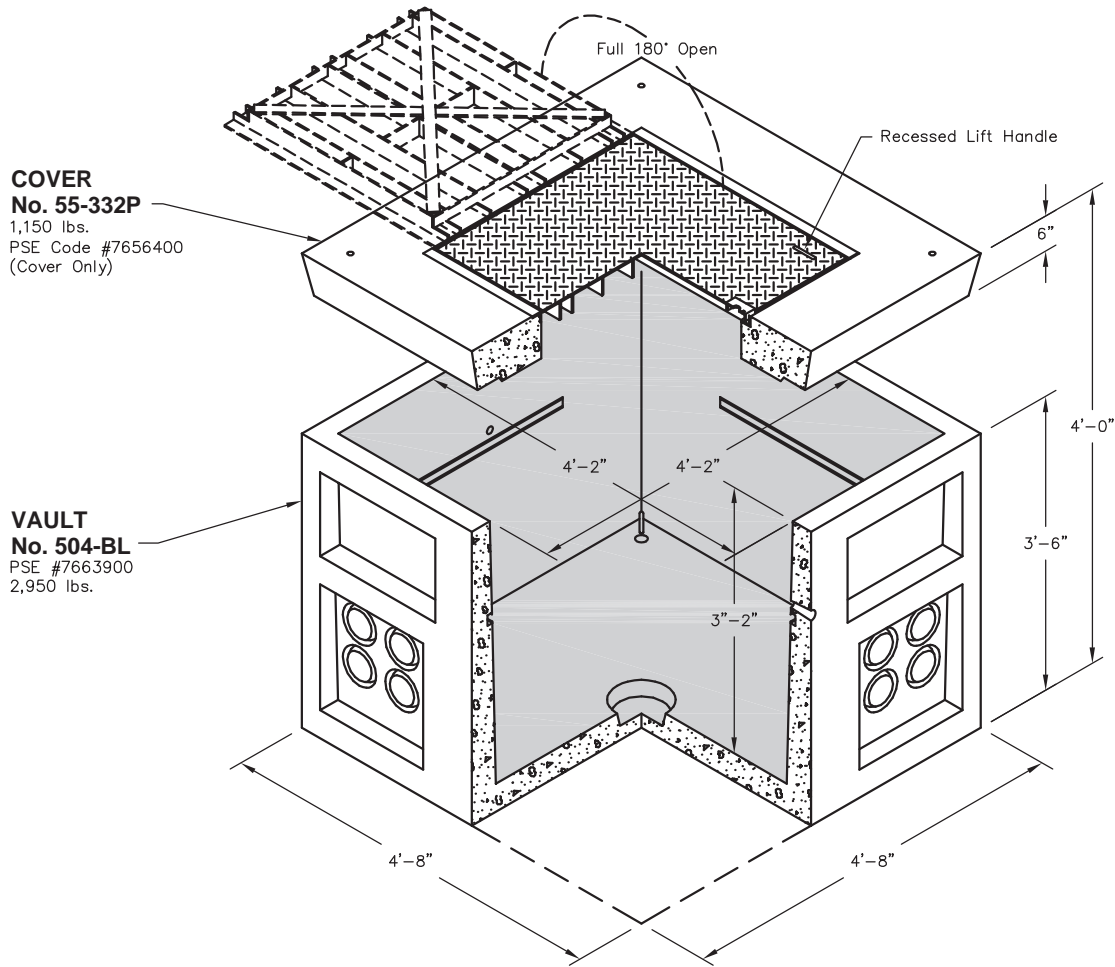
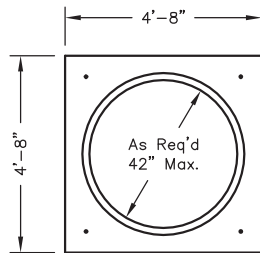


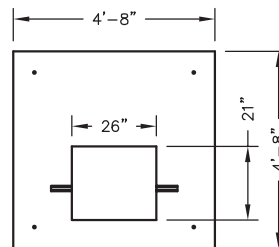
504-LA



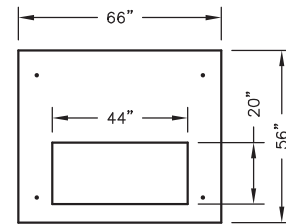
OPTIONAL TOP SECTIONS



ROUND ACCESS
No. 55-42C (Shown)
766 lbs.



PADMOUNT
No. 55-2126
1,500 lbs.
PSE Code #7658500



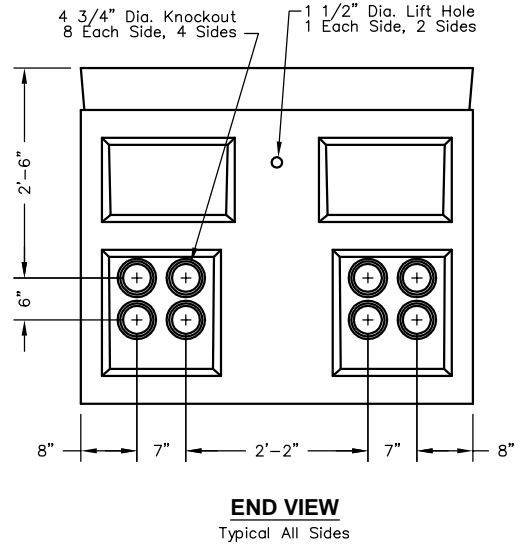
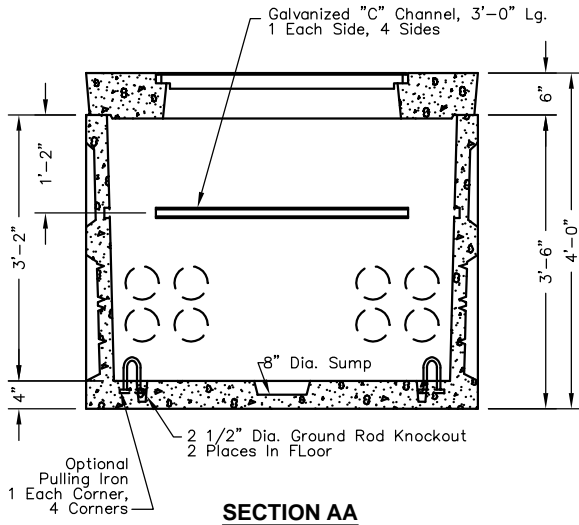
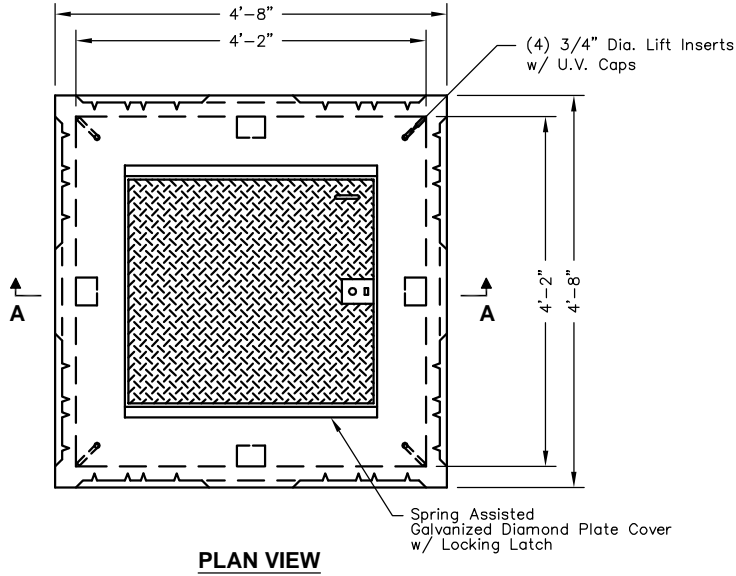
PADMOUNT
No. 56-2044
1,550 lbs.
PSE Code #7655200

Non Skid Covers Available

FOR DETAILS, SEE REVERSE>>

Items Shown Are Subject To Change Without Notice
Issue Date: April 2016

504-LA



SCALE: 1/2"=1'-0"