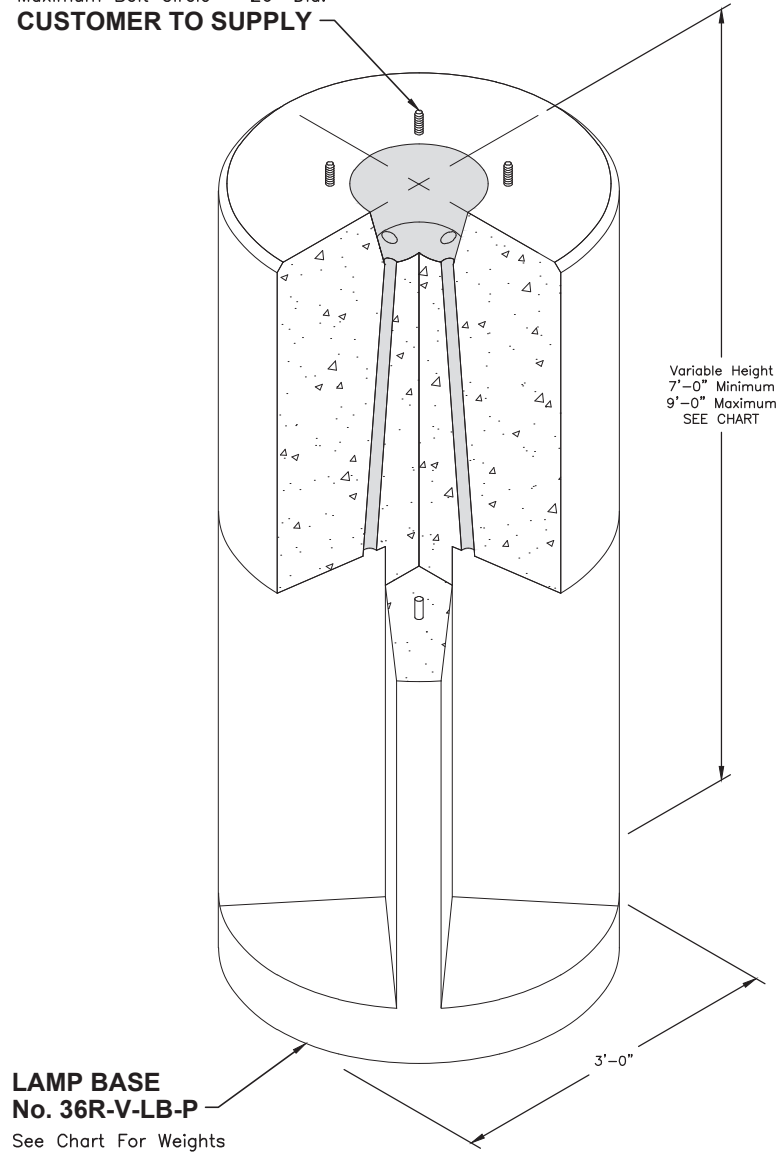


36R-V-LB-P Precast Lamp Base Footings

Anchor Bolts
Size and Spacing As Required
Minimum Bolt Circle = 8" Dia.
Maximum Bolt Circle = 26" Dia.
CUSTOMER TO SUPPLY



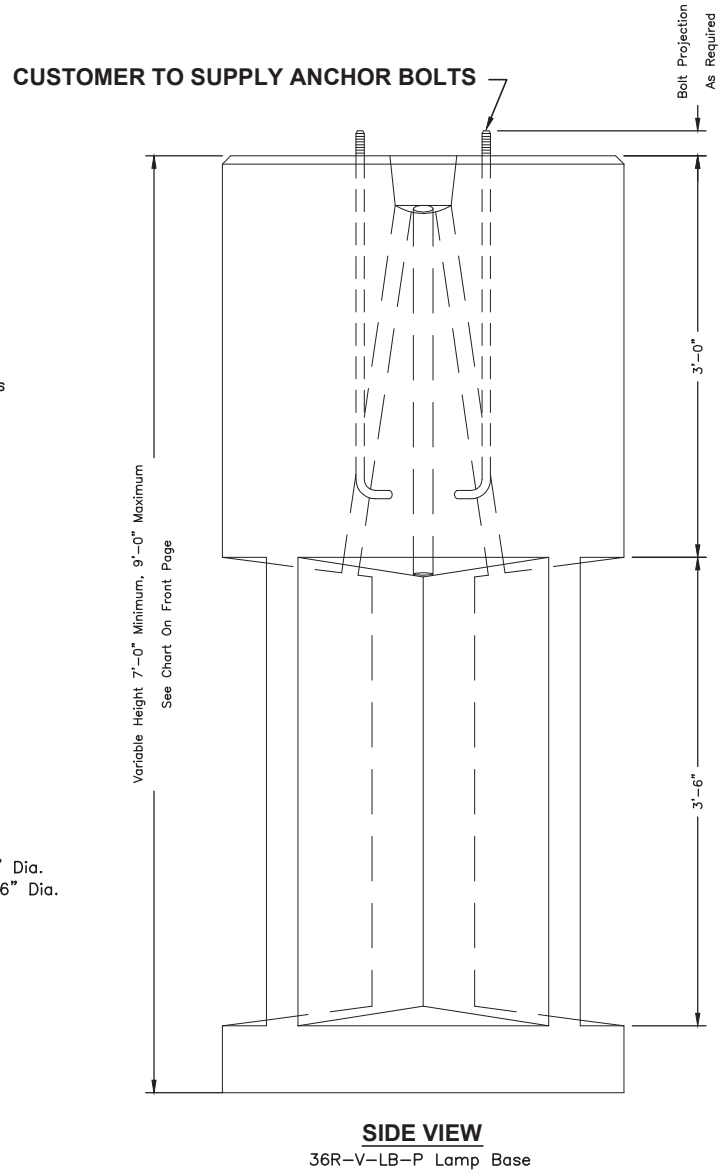
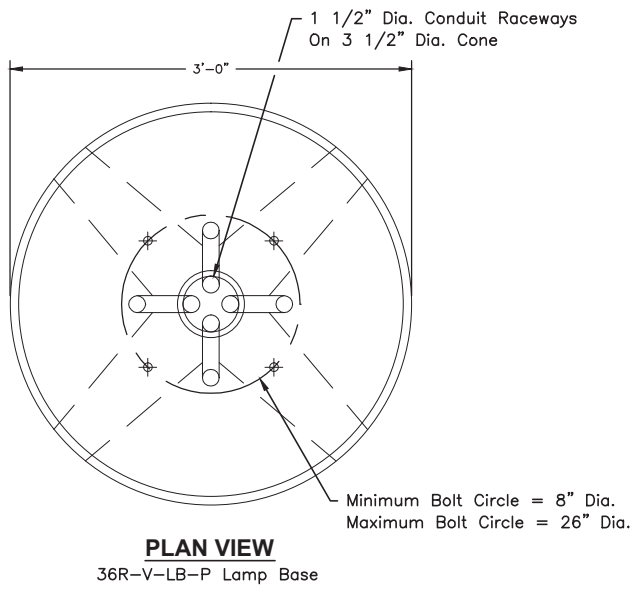
**LAMP BASE
No. 36R-V-LB-P**
See Chart For Weights

36R-V-LB-P CHART		
Model No.	Height	Weight
36R-7-LB-P	7'-0"	5,310 lbs.
36R-8-LB-P	8'-0"	6,370 lbs.
36R-9-LB-P	9'-0"	7,430 lbs.

FOR DETAILS, SEE REVERSE>>

Items Shown Are Subject To Change Without Notice
Issue Date: April 2016

36R-V-LB-P



SCALE: 3/4" = 1'-0"