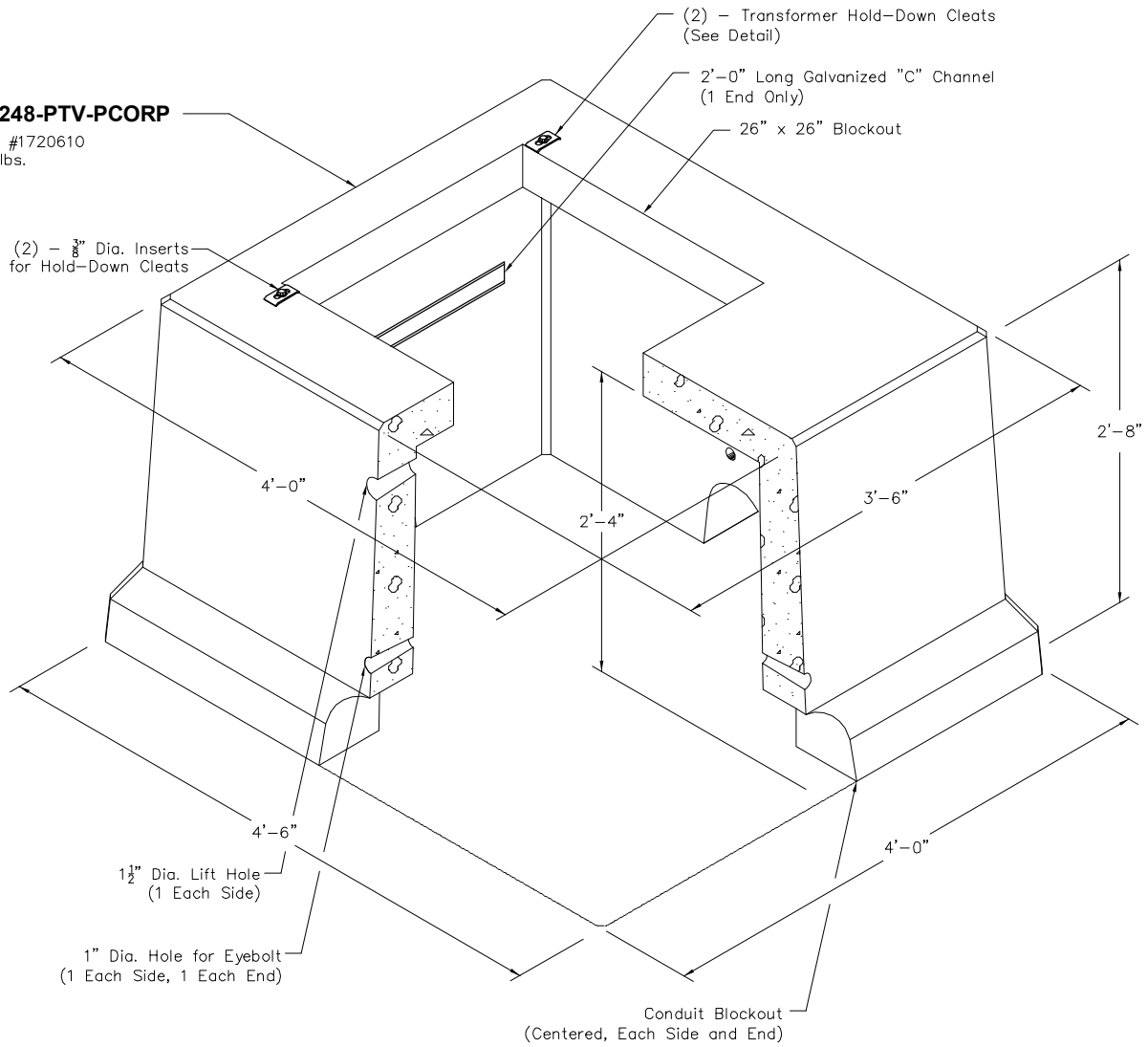
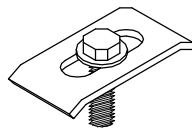


Single Phase Transformer Padvault, Stock Item 1720610
No. 4248-PTV-PCORP

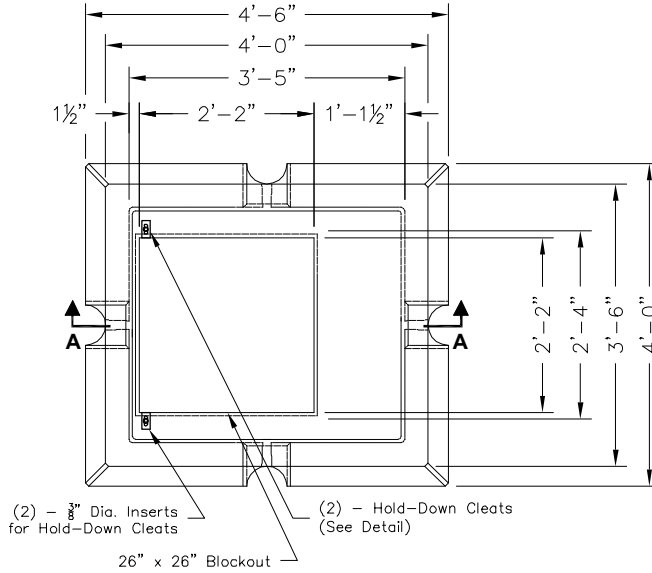
 PCORP #1720610
2,060 lbs.


TRANSFORMER HOLD-DOWN CLEAT



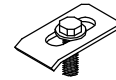
DETAIL

- 1 $\frac{1}{4}$ " x 2 $\frac{1}{2}$ " Stainless Steel Hold-Down Cleat - 2 Required
- $\frac{3}{8}$ " x 1 $\frac{1}{4}$ " Stainless Steel Bolt - 2 Required
- $\frac{3}{8}$ " Stainless Steel Bellville Washer - 2 Required


PLAN VIEW

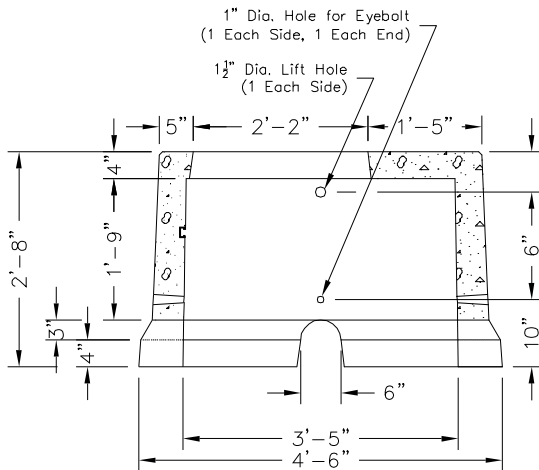
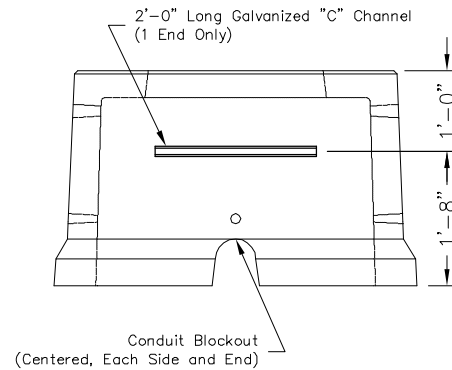
 No. 4248-PTV-PCORP (SINGLE PHASE TRANSFORMER PADVAULT)
 PCORP #1720610

TRANSFORMER HOLD-DOWN CLEAT



DETAIL

- 1¼" x 2½" Stainless Steel Hold-Down Cleat - 2 Required
- 8/16" x 1¼" Stainless Steel Bolt - 2 Required
- 8/16" Stainless Steel Bellville Washer - 2 Required


SECTION AA

END VIEW