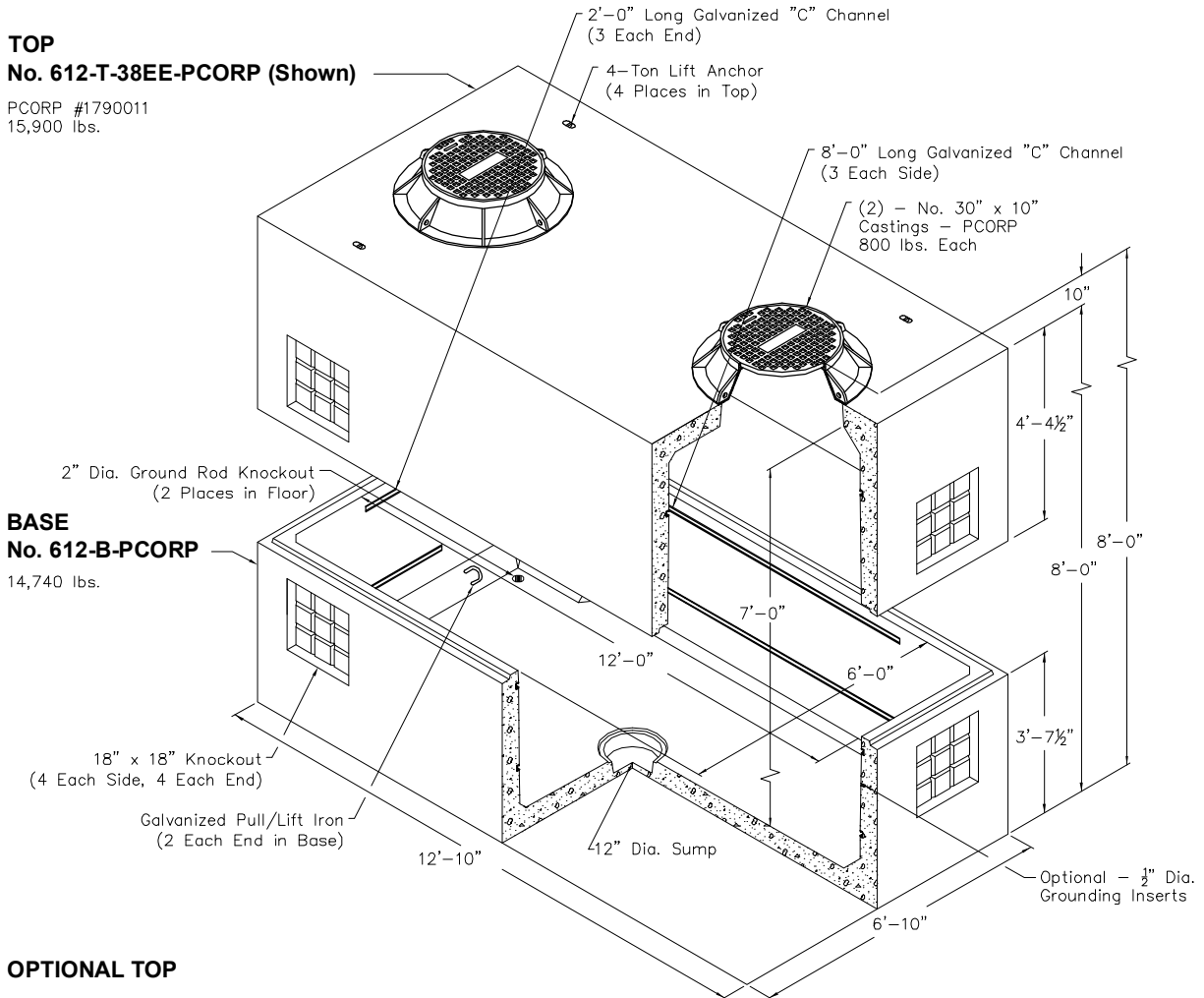
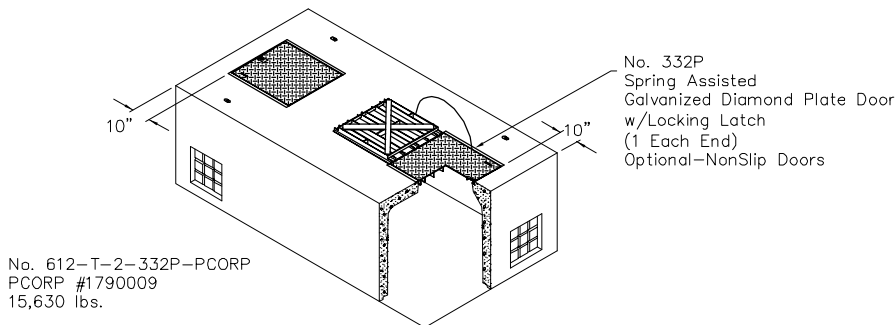


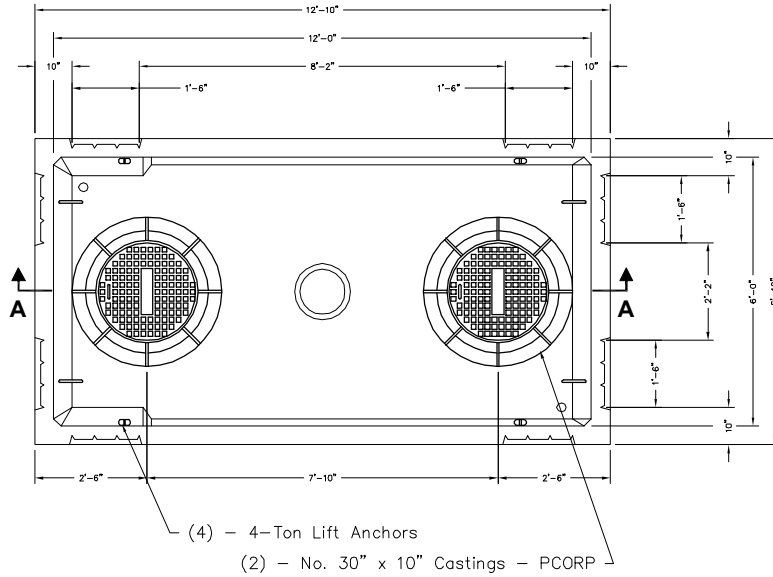
**6' x 12' Manhole**
**- Full Traffic Vault, Stock Item #1790011**
**- Incidental Traffic Vault, Stock Item #1790009**
**TOP**
**No. 612-T-38EE-PCORP (Shown)**

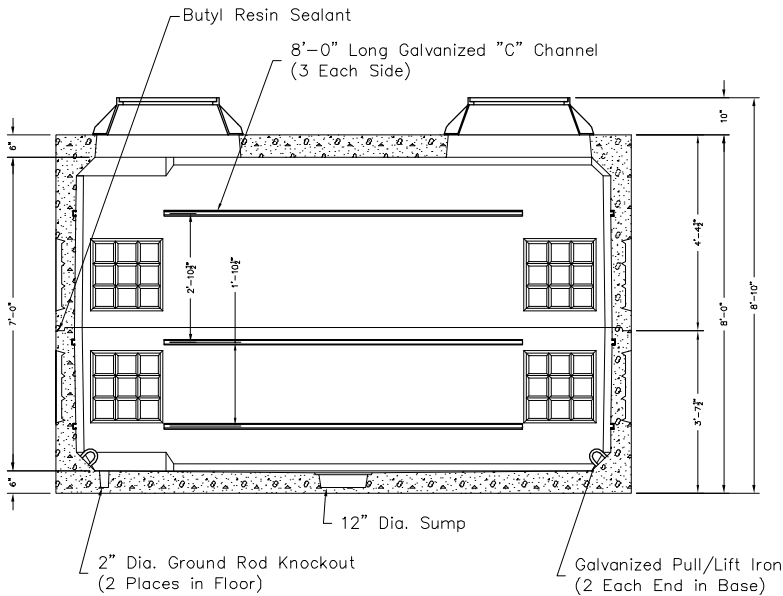
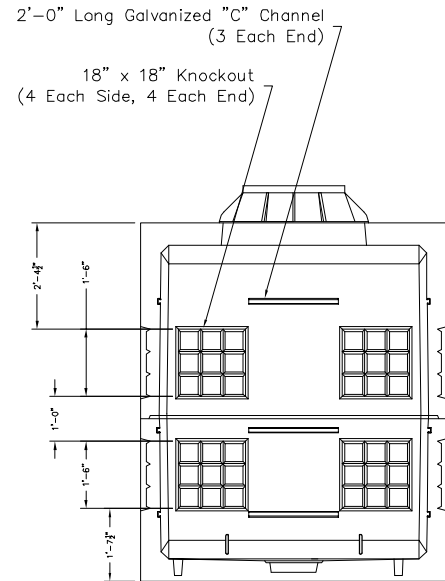
 PCORP #1790011  
 15,900 lbs.

**BASE**
**No. 612-B-PCORP**

14,740 lbs.


**OPTIONAL TOP**
**INCIDENTAL TRAFFIC VAULT**



**PLAN VIEW**

 No. 612-T-38EE-PCORP (FULL TRAFFIC VAULT)  
 PCORP #1790011

**SECTION AA**

**END VIEW**