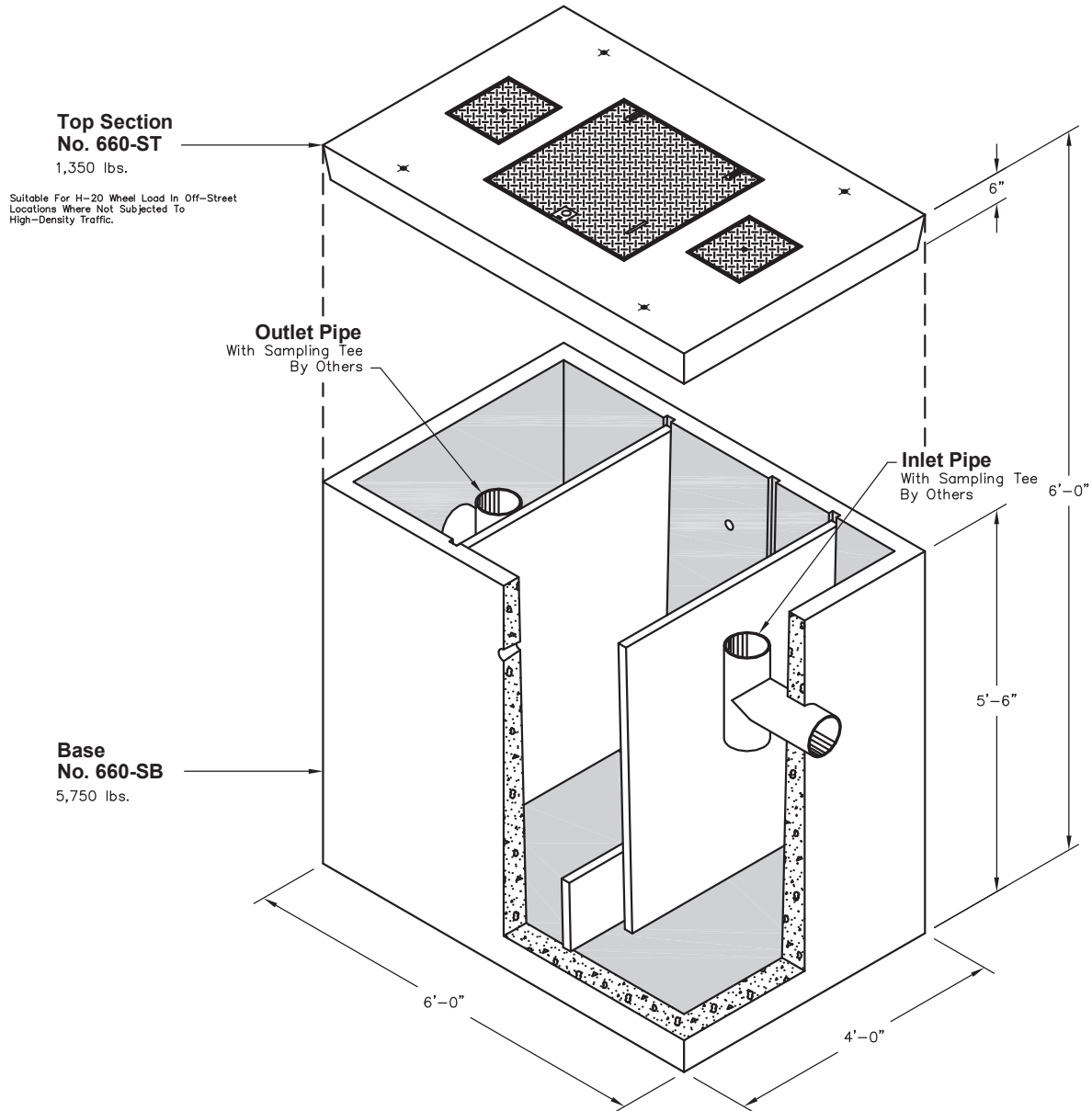


660-SA OIL WATER SEPARATOR

450 Gallon Capacity

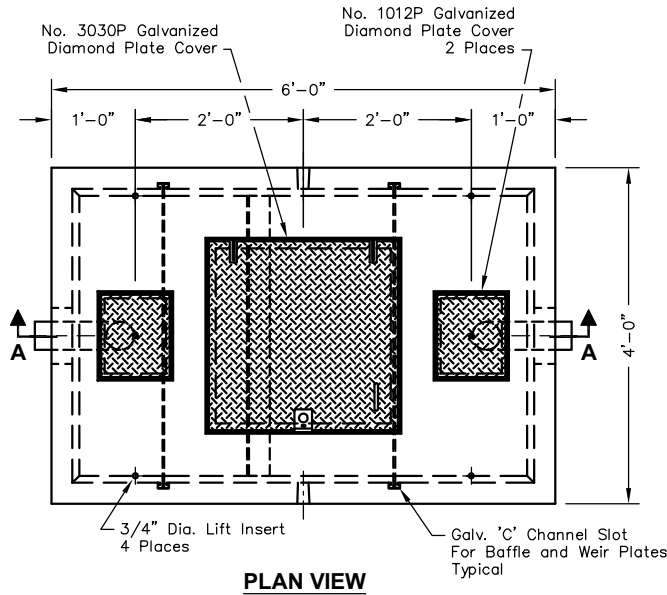


Non Skid Covers Available

FOR DETAILS, SEE REVERSE>>

Items Shown Are Subject To Change Without Notice
Issue Date: April 2016

660-SA



STRUCTURAL NOTES:

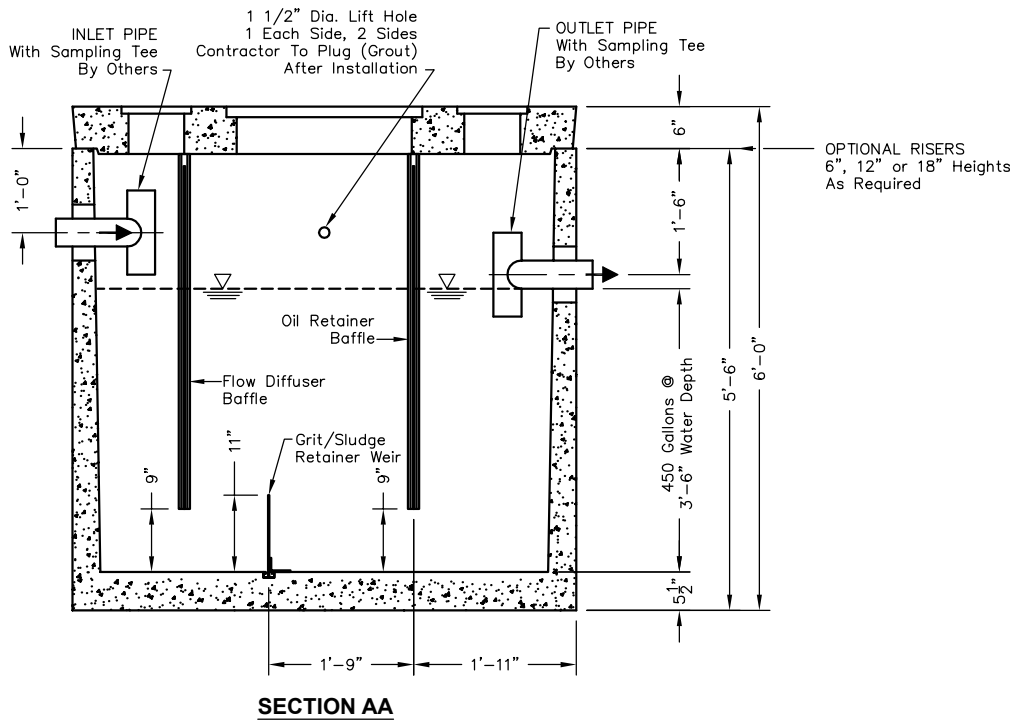
1. Concrete: 28 Day Compressive Strength $f'_c = 7000$ psi
2. Rebar: ASTM A-615 Grade 60
3. Mesh: ASTM A-185 Grade 65
4. Design: ACI-318-05 Building Code
ASTM C-890 "Minimum Structural Design Loading For Underground Precast Concrete Water and Wastewater Structures"
5. Loads: HS-20 Truck Wheel w/ 30% Impact Per AASHTO

GENERAL NOTES:

1. All Baffles and Weirs To Be Steel
2. Contractor to:
Supply and Install All Piping & Sampling Tees
Grout In All Pipes
Fill With Clean Water Prior To "Start-Up" Of System
Verify All Blockout Sizes and Locations

FOR CUSTOM APPLICATIONS THE FOLLOWING INFORMATION IS NEEDED:

- Top Of Separator Elevation:
- Inlet Pipe Size:
- Inlet Pipe Elevation:
- Outlet Pipe Size:
- Outlet Pipe Elevation:



SCALE: 1/2"=1'-0"