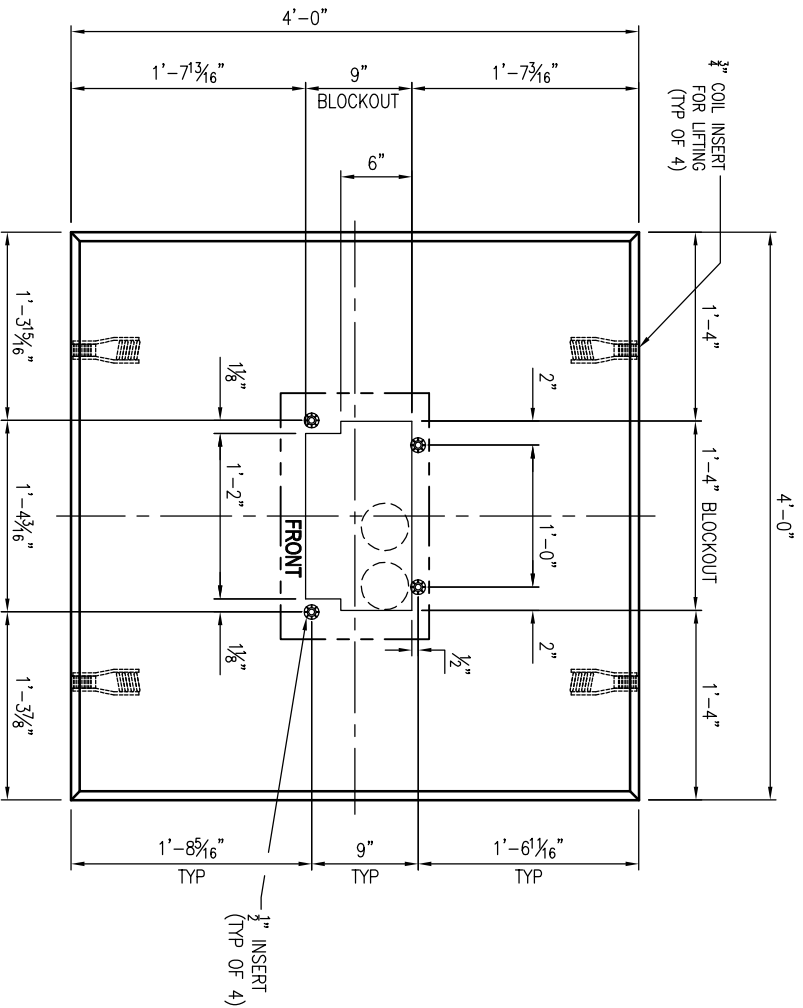
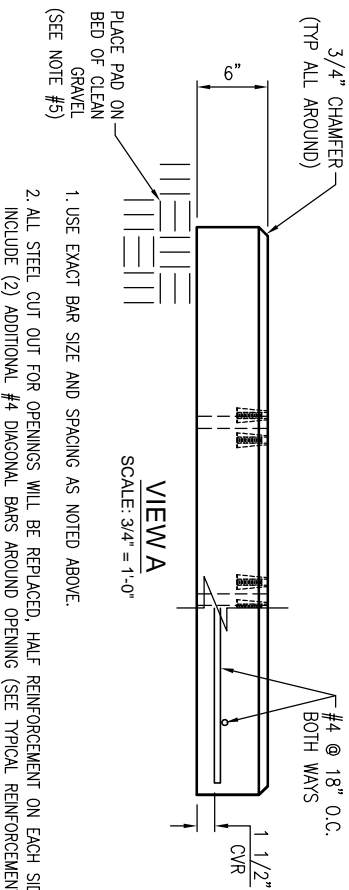


GENERAL NOTES:

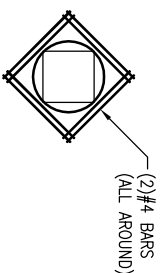
1. CONCRETE: 28 DAY COMPRESSIVE STRENGTH $f'_c = 4,000$ PSI (MIN).
2. REINFORCING: ASTM A-615, GRADE 60.
3. SLAB DESIGNED FOR EITHER THE 144 FDH 3000 PFP [145 LBS] CABINETS LOAD ONLY.
4. SLAB DESIGNED FOR 150 MPH WIND LOAD, IN ACCORDANCE WITH ASCE 7-10, EXPOSURE CATEGORY C, RISK CATEGORY 2.
5. SLAB SHALL BE SUPPORTED IN ACCORDANCE WITH AT&T PROJECT SPECIFICATIONS (I.E. LEVEL AND COMPACTED BEARING SURFACE).



PLAN VIEW
SCALE: 3/4" = 1'-0"



VIEW A
SCALE: 3/4" = 1'-0"



TYPICAL REINFORCEMENT FOR OPENINGS
SCALE: N.T.S.

1. USE EXACT BAR SIZE AND SPACING AS NOTED ABOVE.
2. ALL STEEL CUT OUT FOR OPENINGS WILL BE REPLACED, HALF REINFORCEMENT ON EACH SIDE OF OPENING. INCLUDE (2) ADDITIONAL #4 DIAGONAL BARS AROUND OPENING (SEE TYPICAL REINFORCEMENT FOR ALL OPENINGS)

REVISIONS

REVISION	DATE	BY	SHEET	DESCRIPTION OF REVISION	REQUESTED BY
A			1		CONTRACTOR
B					

SECTION	WEIGHT (LBS)	COMMENTS
TOTAL	1,200	0.30



THIS DOCUMENT IS THE PROPERTY OF OLDCASTLE PRECAST, INC. IT IS CONFIDENTIAL. SUBMITTED FOR REFERENCE PURPOSES ONLY, AND SHALL NOT BE USED IN ANY MANNER WITHOUT THE WRITTEN PERMISSION OF OLDCASTLE PRECAST, INC. COPYRIGHT © 2014 OLDCASTLE PRECAST, INC. ALL RIGHTS RESERVED.

41X4X6" OD CABINET PAD
SUBMITTAL LAYOUT

144 FDH 3000 PFP

CUSTOMER: **AT & T (PIN# ATT.100090493)**

DATE	SALES	DRAWN	ENGINEER	CHECKED	REVISION	SALES ORDER SHEET
5/8/15						

DRAWING NUMBER: 144-FDH 3000 Pfd

REV. DATE: 1 OF 1