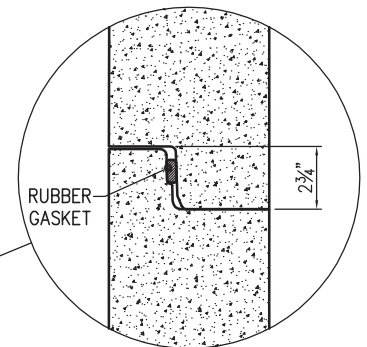
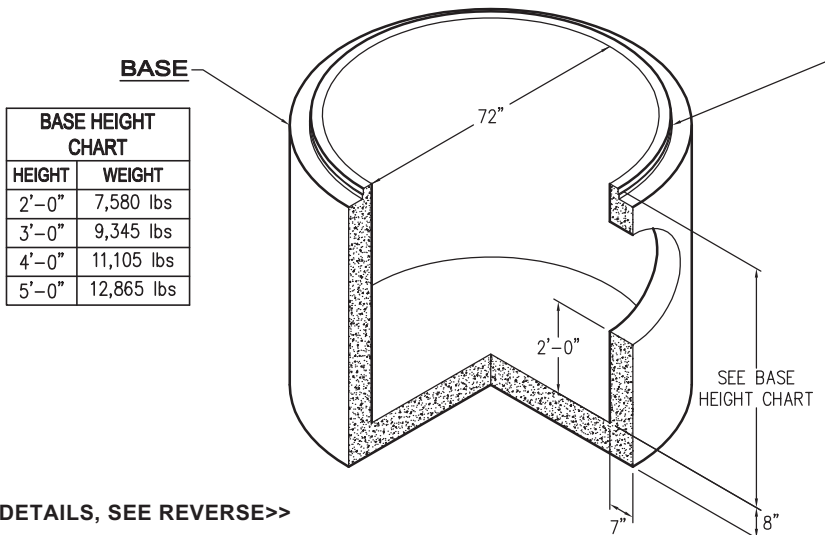
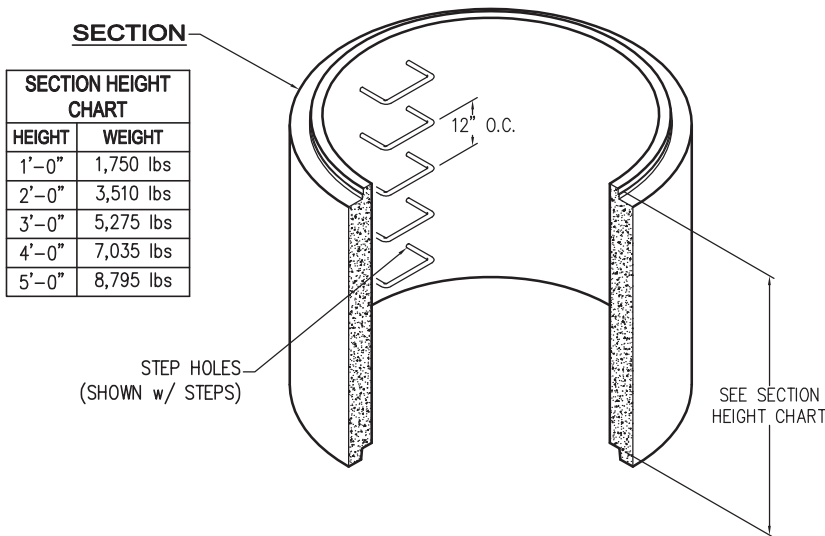


72" TYPE 2 CATCH BASIN (WSDOT B-1F)

OLDCASTLE MANHOLES:

- H-20 LOADING
 - Manhole meets ASTM C478 and all WSDOT/APWA Standard Specifications
 - Rubber gasket joint meets ASTM C443
 - Polypropylene steps and ladders meet ASTM D4101
 - Reinforcement area meets minimum ASTM C478 requirements:
- Flat Top = 0.12 in.²/linear ft. in both directions, with 0.20 in.² at 90° around opening
 Cones = 2 hoops of 0.250 in. dia. reinforcing bars
 Sections = 0.135 in.²/vertical ft.
 Bases = 0.12 in.²/linear ft. in both directions (slab), 0.135 in.²/vertical ft. (wall)
- Knockout sizes and locations available to meet job requirements
 - Maximum hole size 42"
 - Minimum distance between holes 8"



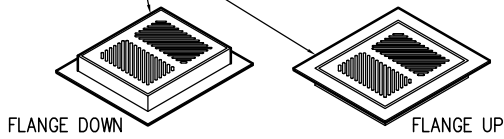
JOINT DETAIL

FOR DETAILS, SEE REVERSE>>

Items Shown Are Subject To Change Without Notice
Issue Date: April 2016

72" TYPE 2 CATCH BASIN (WSDOT B-1F)

FRAME AND COVER
240 lbs

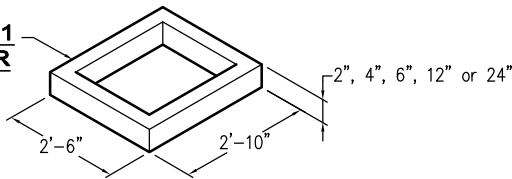


FRAME AND COVER
360 lbs



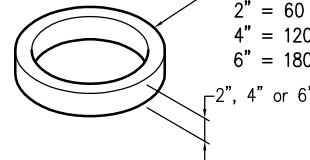
**TYPE 1
CATCH BASIN RISER**

- 2" = 80 lbs
- 4" = 160 lbs
- 6" = 240 lbs
- 12" = 480 lbs
- 24" = 960 lbs

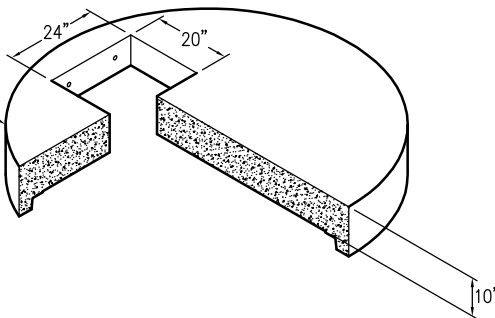


GRADE RING

- 2" = 60 lbs
- 4" = 120 lbs
- 6" = 180 lbs



72" FLAT TOP
WITH 20" x 24" HOLE
4,775 lbs



72" FLAT TOP
WITH 25" Ø HOLE
4,765 lbs

