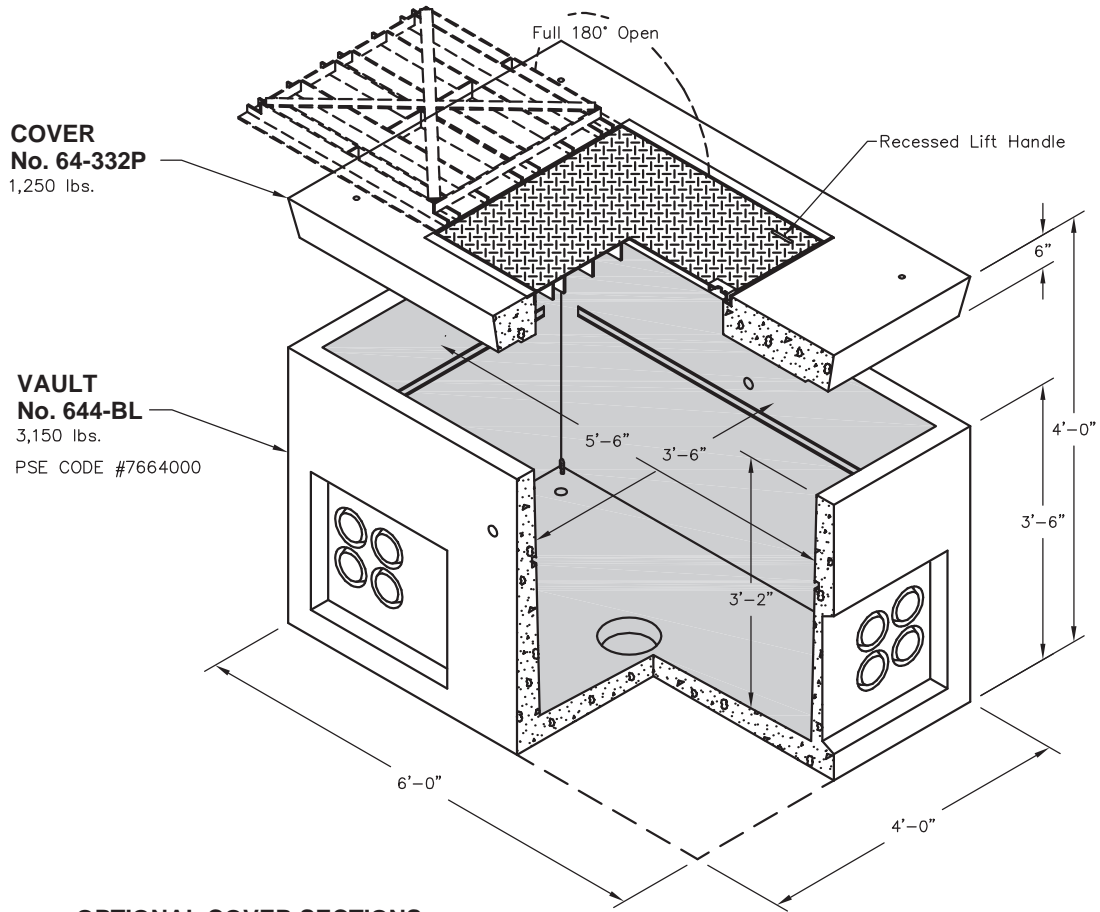
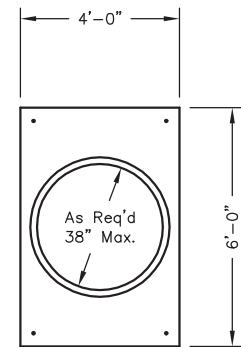


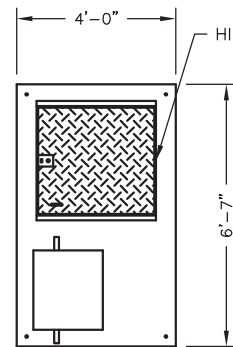
644-LA



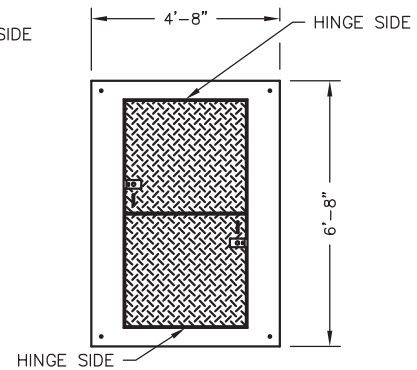
OPTIONAL COVER SECTIONS



ROUND ACCESS
No. 64-38C (Shown)
1,250 lbs.



LOCKING STEEL COVER WITH PADMOUNT
No. 64-332P-2126
1,100 lbs.
PSE CODE #7655800



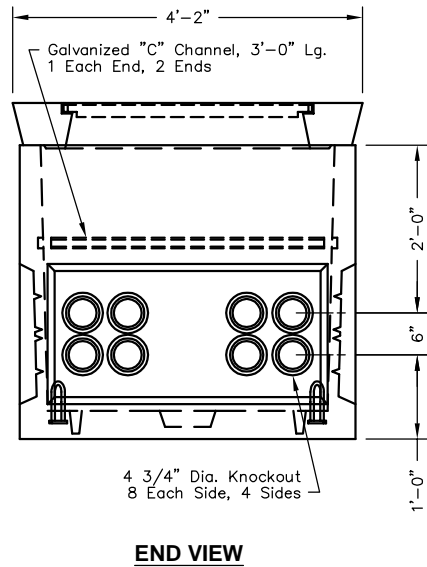
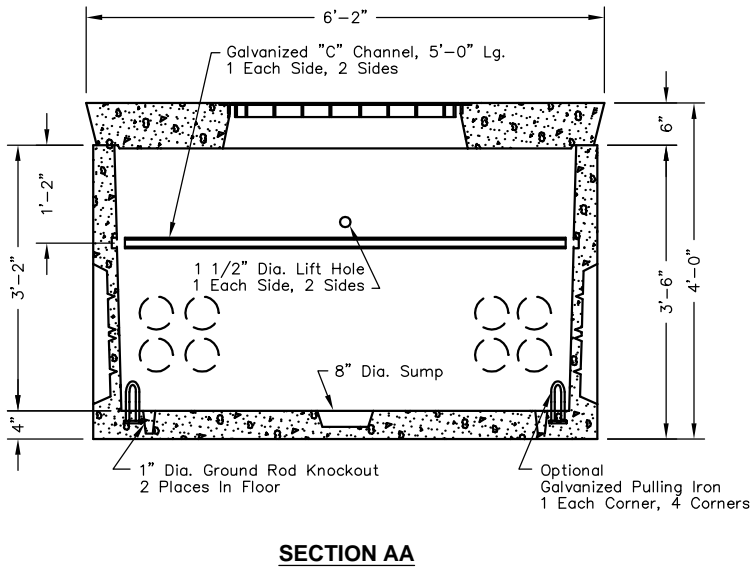
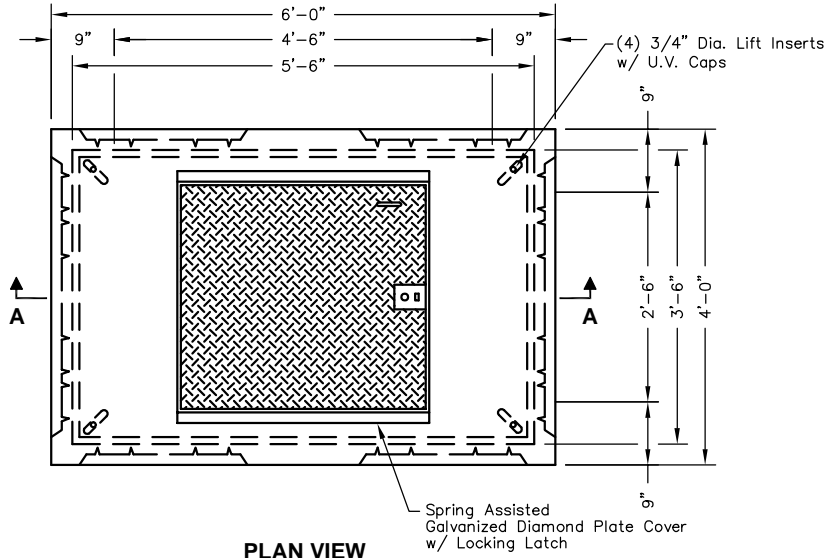
LOCKING STEEL COVERS
No. 64-2-332P
1,110 lbs.
PSE CODE #7655900

Non Skid Covers Available

FOR DETAILS, SEE REVERSE>>

Items Shown Are Subject To Change Without Notice
Issue Date: April 2016

644-LA



SCALE: 1/2"=1'-0"