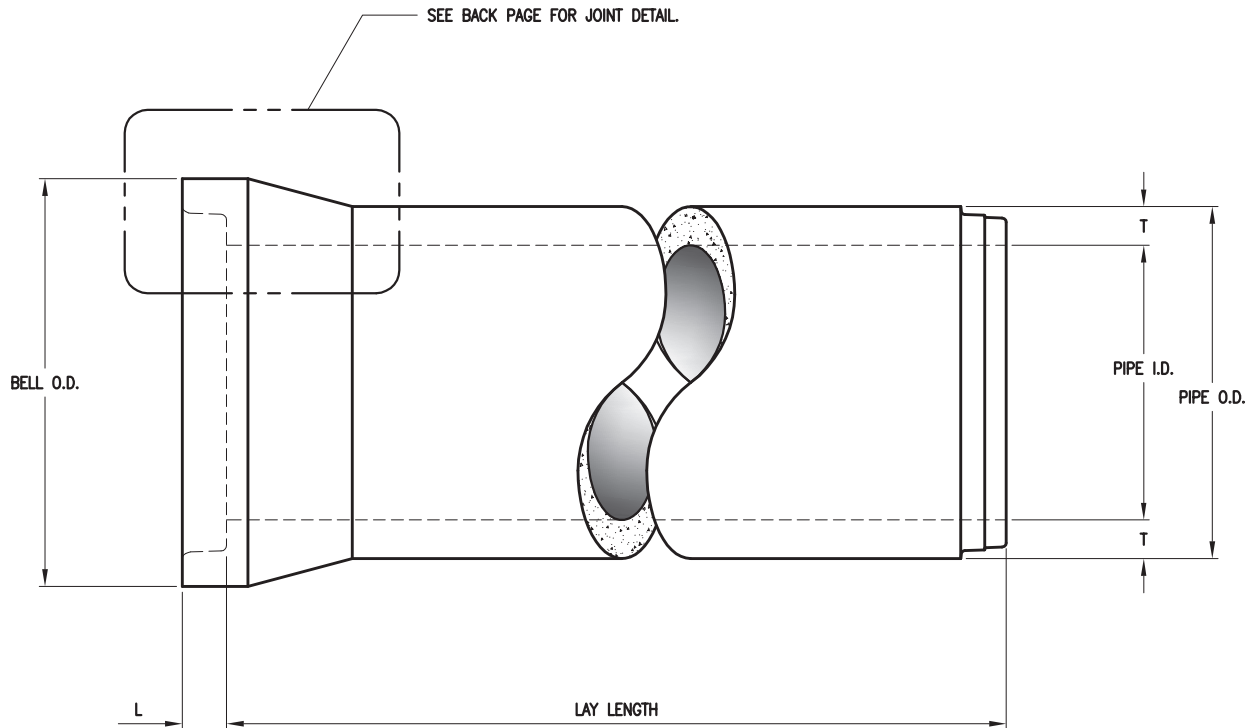


# REINFORCED CONCRETE PIPE - SINGLE OFFSET



DIMENSIONAL DATA							
PIPE I.D. (in.)	PIPE O.D. (in.)	BELL O.D. (in.)	T WALL THICKNESS (in.)	LAY LENGTH (ft.)	L JOINT (in.)	APPROXIMATE WT/FT (lbs.)	ALLOWABLE JOINT GAP (in.)
12"	17.50"	20.00"	2.75"	8'-0"	3.563"	139lbs.	.735"
15"	21.00"	23.88"	3.00"	8'-0"	3.563"	188lbs.	.728"
18"	24.50"	27.63"	3.25"	8'-0"	3.75"	241lbs.	.938"
21"	28.00"	31.63"	3.50"	8'-0"	3.75"	301lbs.	.870"
24"	31.50"	35.63"	3.75"	8'-0"	3.875"	367lbs.	1.035"

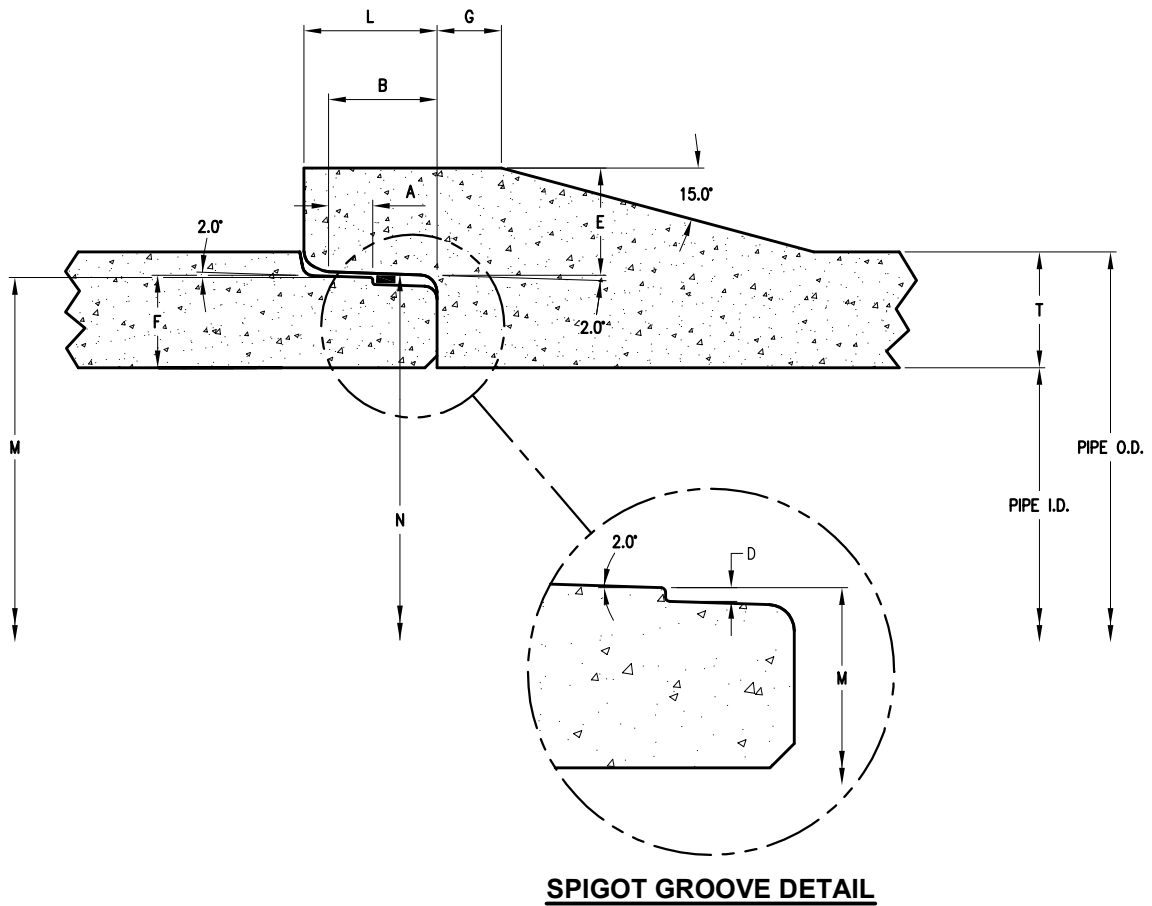
**NOTES:**

1. MEETS ASTM C-76 FOR REINFORCED CONCRETE SEWER & STORM DRAIN PIPE.
2. ALL DIMENSIONS SUBJECT TO ALLOWABLE SPECIFICATION TOLERANCES.

**FOR DETAILS, SEE REVERSE>>**

Items Shown Are Subject To Change Without Notice  
Issue Date: April 2016

# REINFORCED CONCRETE PIPE - SINGLE OFFSET



<b>DIMENSIONAL DATA</b>											
PIPE I.D. (in.)	PIPE O.D. (in.)	A (in.)	B (in.)	D (in.)	E (in.)	F (in.)	G (in.)	L JOINT (in.)	M (in.)	N (in.)	T WALL THICK. (in.)
12"	17.50"	1.015"	2.938"	.200"	2.375"	1.614"	2.438"	3.563"	15.122"	19.661"	2.75"
15"	21.00"	1.015"	2.938"	.200"	2.562"	1.864"	2.438"	3.563"	18.622"	18.161"	3.00"
18"	24.50"	1.203"	3.125"	.200"	2.623"	2.182"	2.25"	3.750"	22.247"	21.786"	3.25"
21"	28.00"	1.203"	3.125"	.200"	2.875"	2.432"	2.25"	3.750"	25.747"	25.938"	3.50"
24"	31.50"	1.328"	3.25"	.200"	3.121"	2.690"	2.125"	3.875"	29.254"	28.793"	3.75"

**NOTES:**

1. MEETS ASTM C443 FOR RUBBER GASKET JOINTS.
2. ALL DIMENSIONS SUBJECT TO ALLOWABLE SPECIFICATION TOLERANCES.