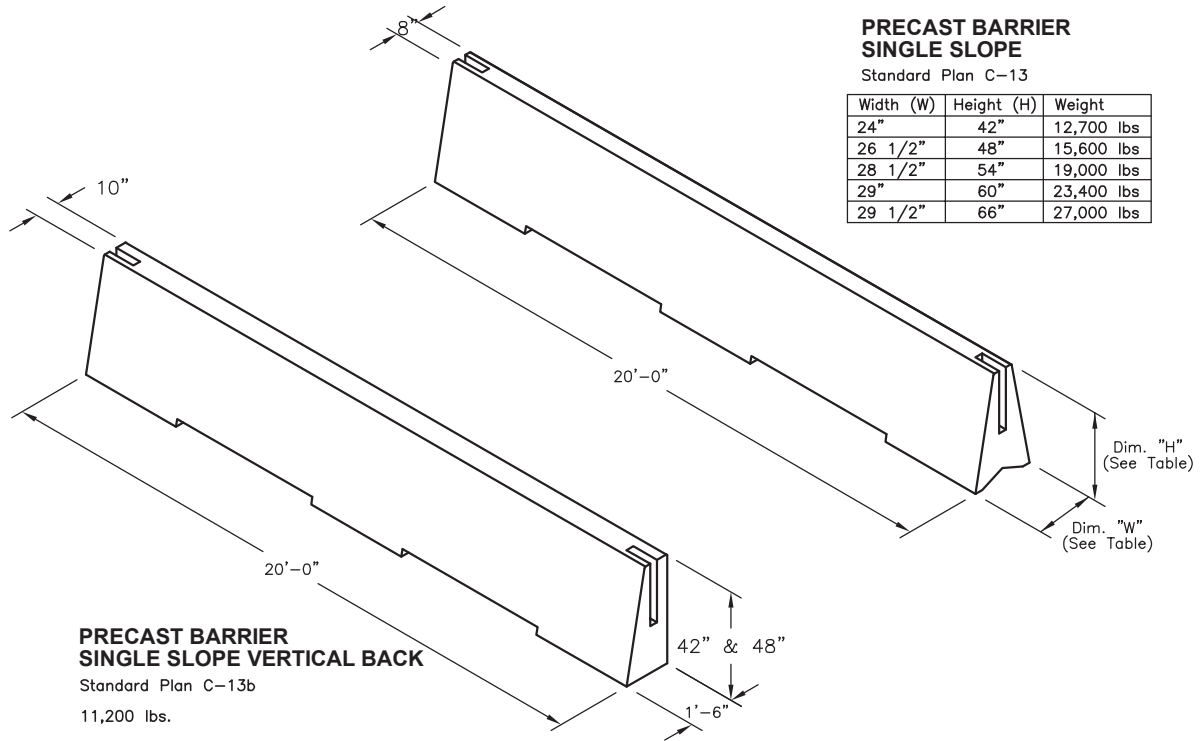


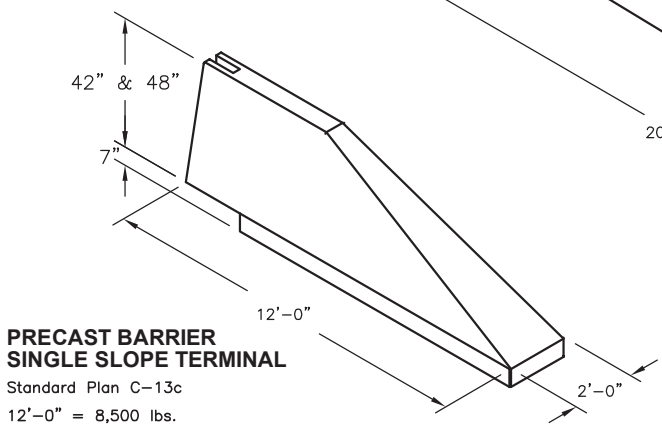
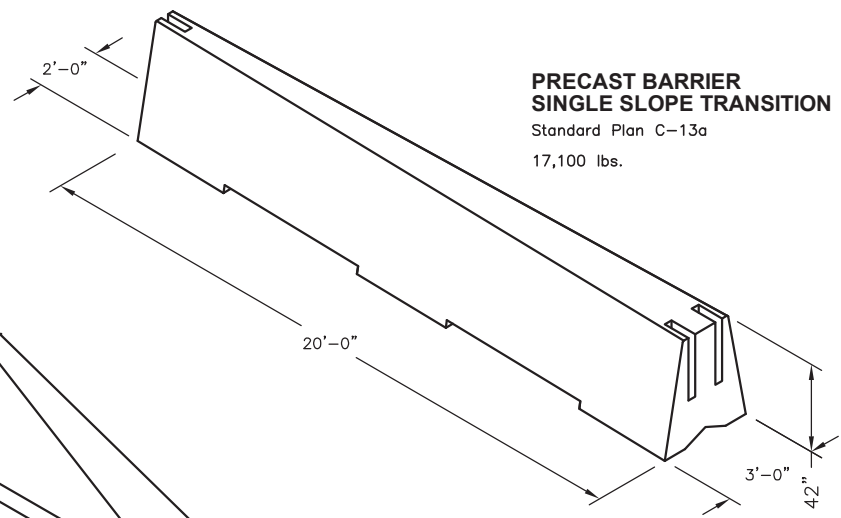
MEDIAN BARRIER W.D.O.T.



**PRECAST BARRIER
SINGLE SLOPE**

Standard Plan C-13

Width (W)	Height (H)	Weight
24"	42"	12,700 lbs
26 1/2"	48"	15,600 lbs
28 1/2"	54"	19,000 lbs
29"	60"	23,400 lbs
29 1/2"	66"	27,000 lbs



NOTE:
Precast Barriers Are Manufactured Per
Washington State Department Of Transportation
Standard Plans For Road And Bridge Construction

Items Shown Are Subject To Change Without Notice
Issue Date: April 2016