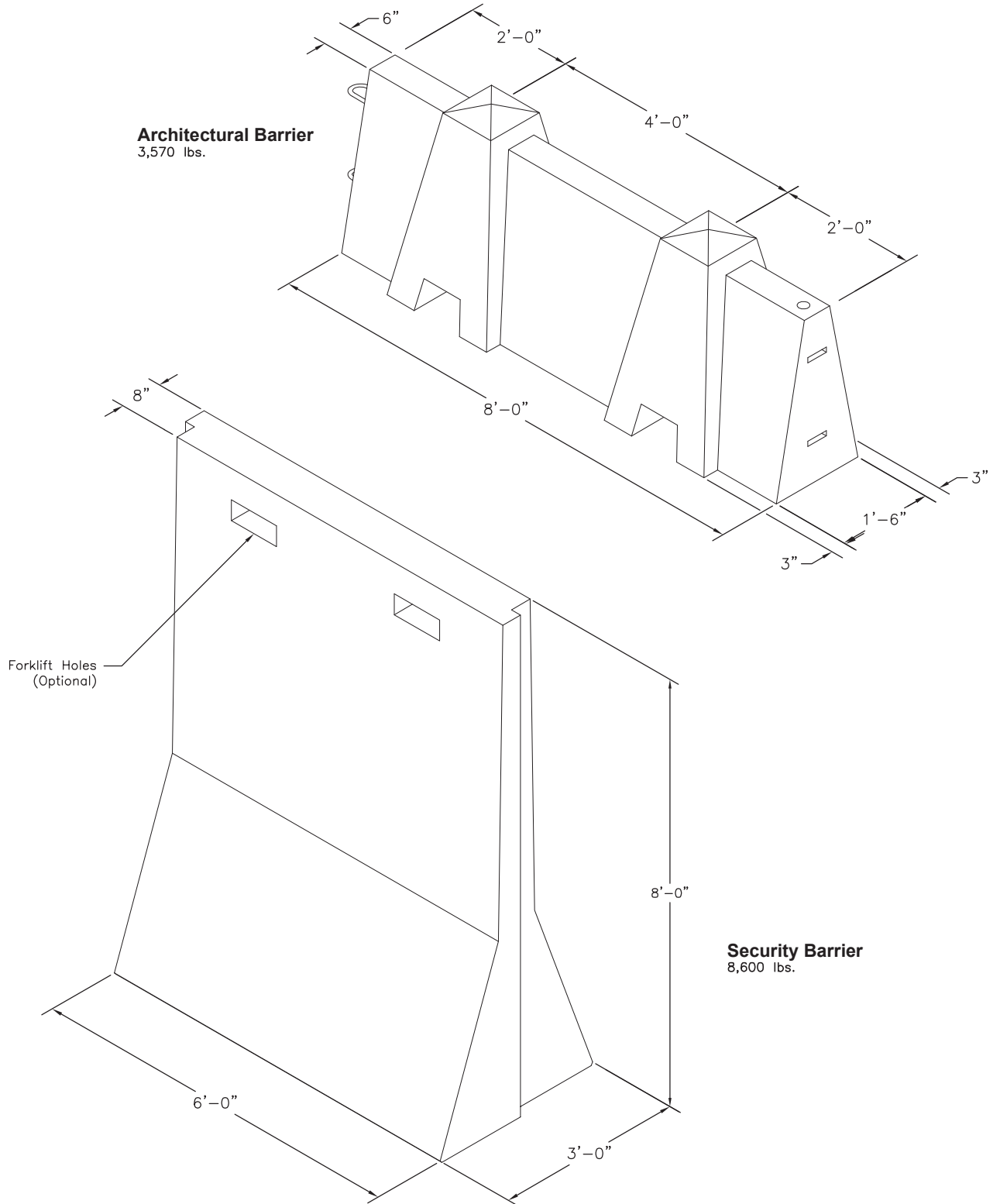


# SPECIALTY BARRIER



Items Shown Are Subject To Change Without Notice  
Issue Date: April 2016