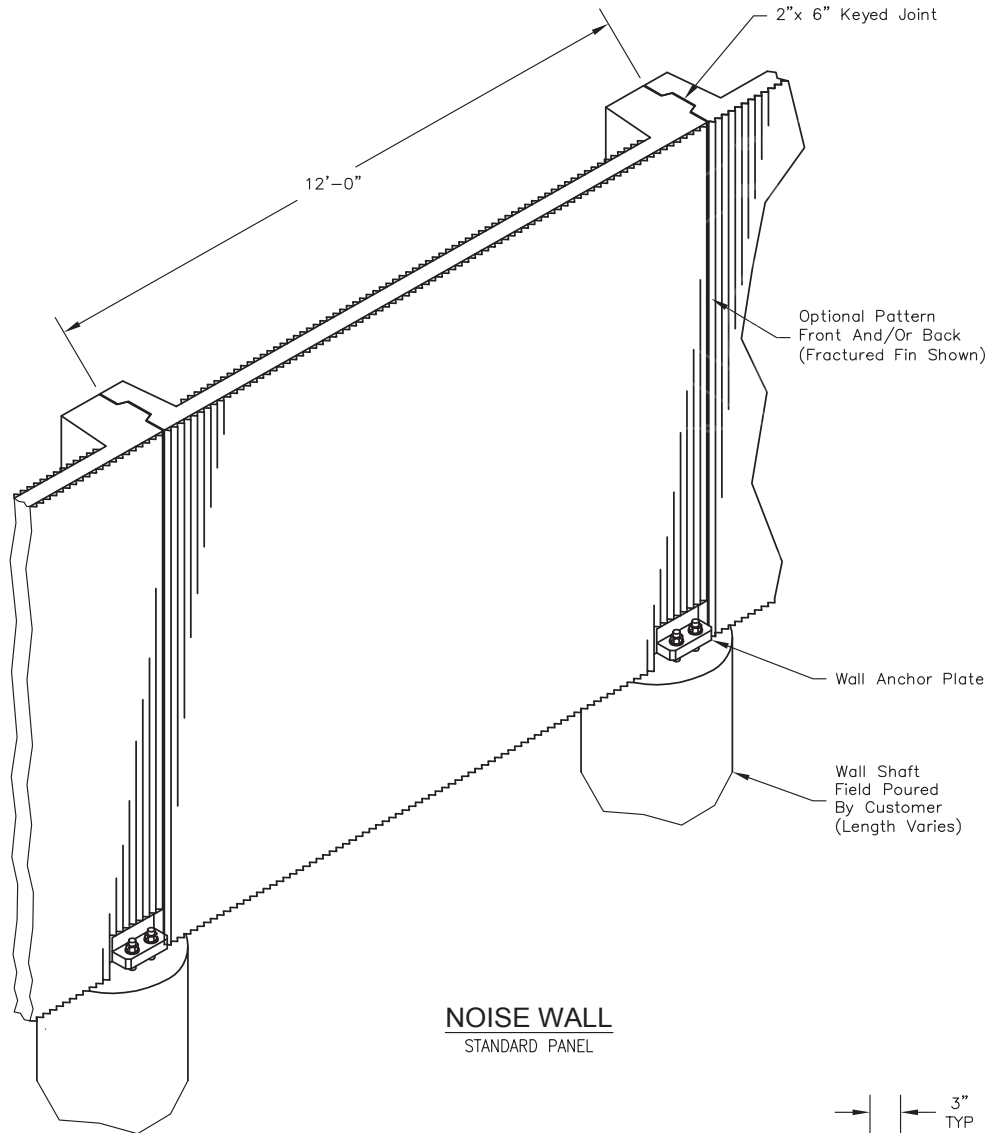
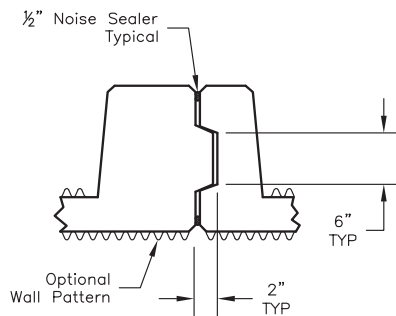


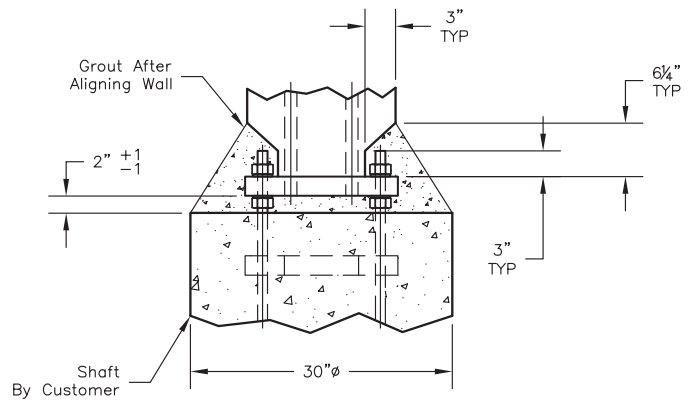
NOISEWALL



NOISE WALL
STANDARD PANEL



KEY DETAIL

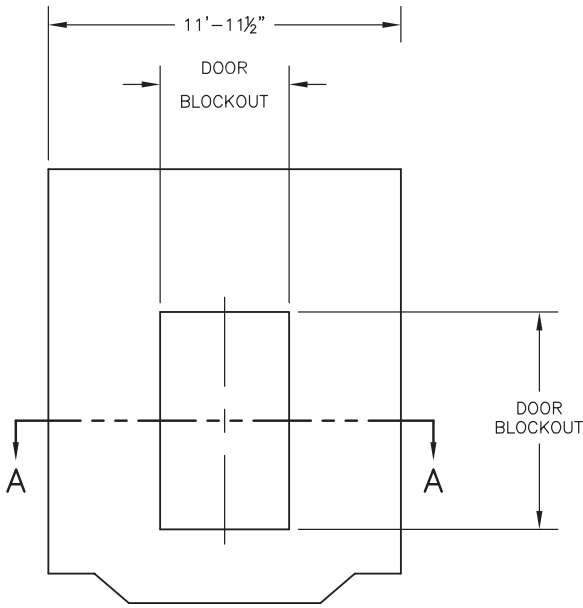


PILASTER & SHAFT DETAIL

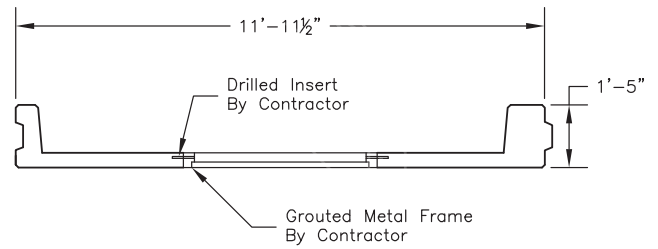
FOR DETAILS, SEE REVERSE>>

Items Shown Are Subject To Change Without Notice
Issue Date: April 2016

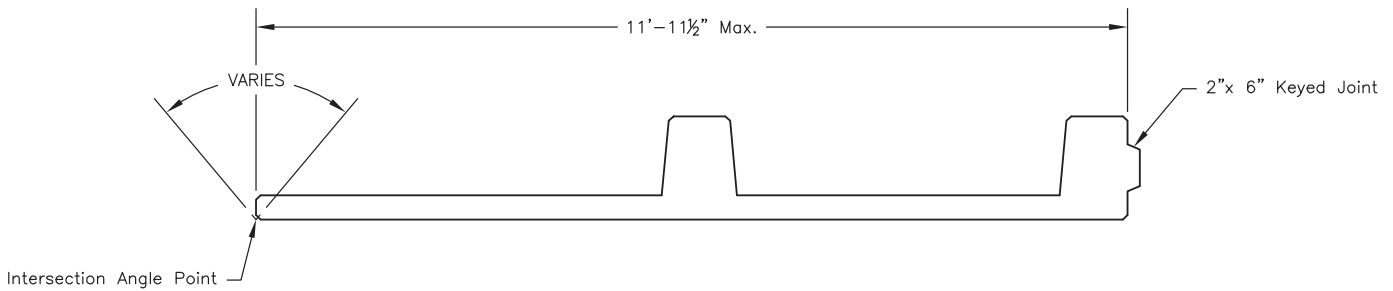
NOISEWALL



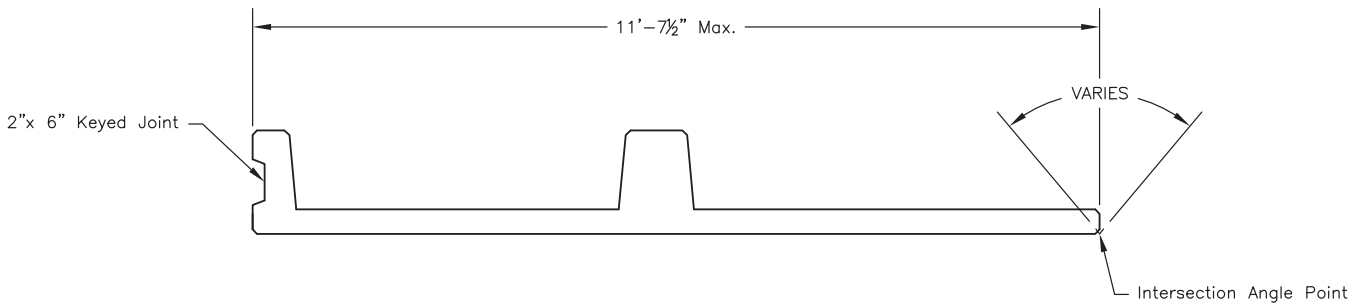
NOISE WALL
ACCESS DOOR PANEL



SECTION A-A



NOISE WALL
WING PANEL - MALE KEY



NOISE WALL
WING PANEL - FEMALE KEY