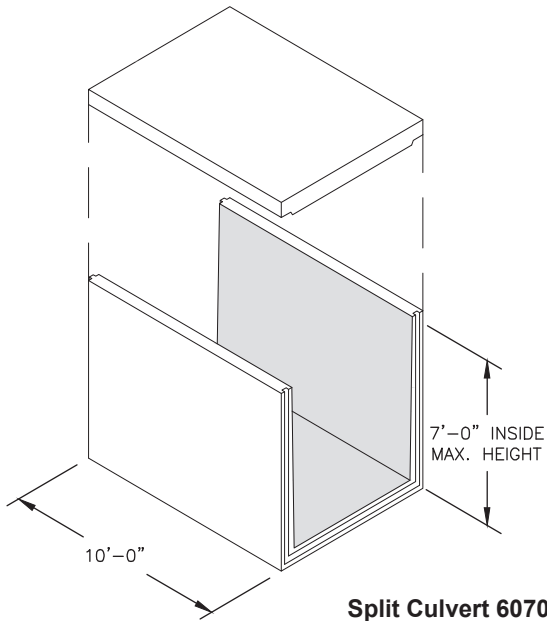
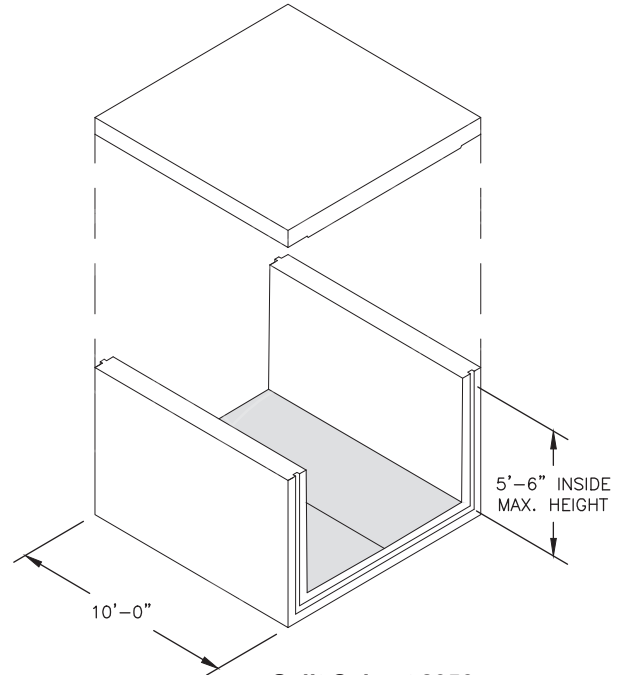


SPLIT CULVERTS



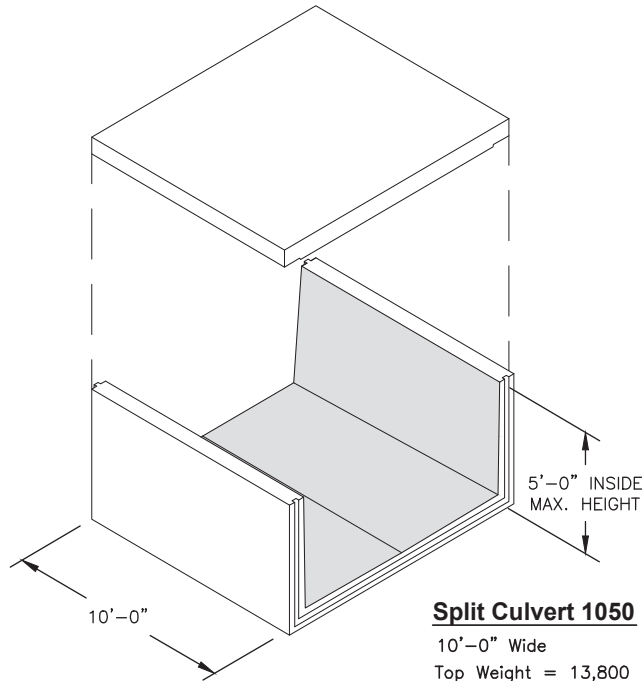
Split Culvert 6070

6'-0" Wide
Top Weight = 8,700 lbs.
Base Weight = 20,500 lbs.



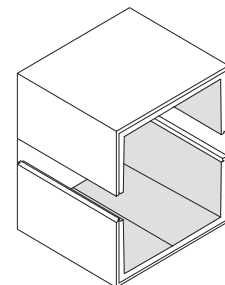
Split Culvert 8056

8'-0" Wide
Top Weight = 9,400 lbs.
Base Weight = 25,200 lbs.



Split Culvert 1050

10'-0" Wide
Top Weight = 13,800 lbs.
Base Weight = 25,100 lbs.



2 Base Option
Available On All Split Culverts

**Maximum Inside Height As Shown
Can Be Made To Any Height Shorter Than Maximum
Designed For HS-20 Loads**

Items Shown Are Subject To Change Without Notice
Issue Date: April 2016