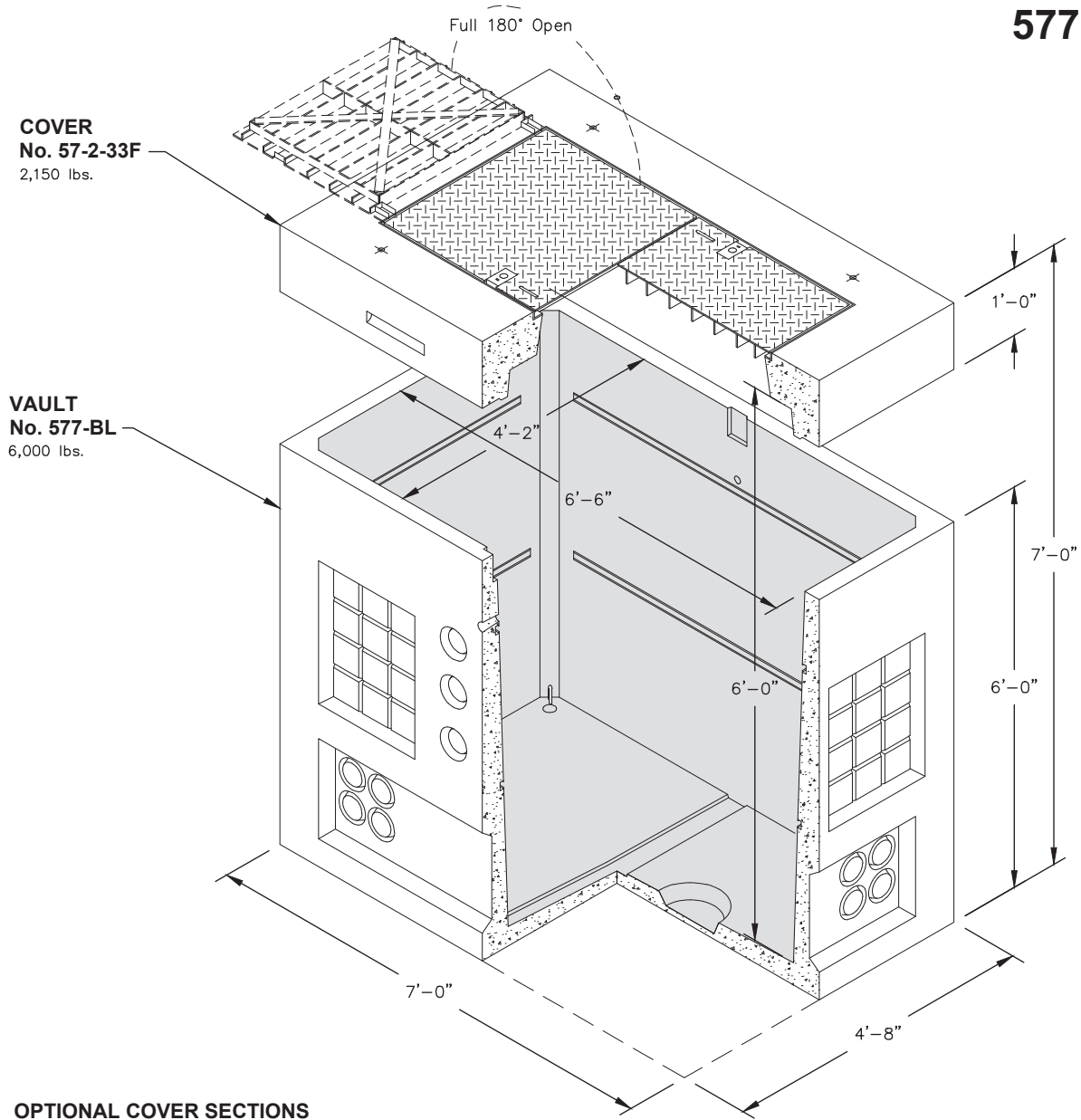
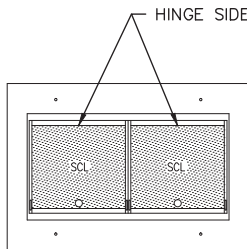


**577-LA**

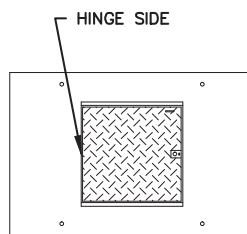


**OPTIONAL COVER SECTIONS**

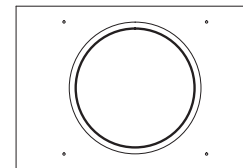
All Covers 12" Thick



OPTIONAL SCL 80 STYLE COVER  
No. 57-2-33 '80'F  
2,255 lbs.



LOCKING STEEL COVER  
No. 57TL-332P  
3,000 lbs.



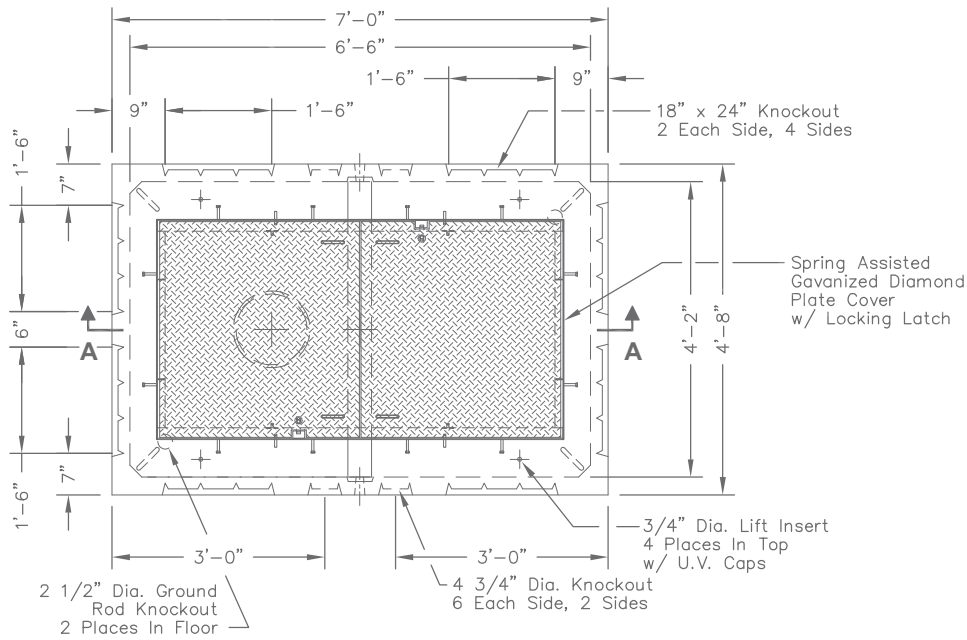
COVER  
No. 57-TL-42-C  
2,900 lbs.

Non Skid Covers Available

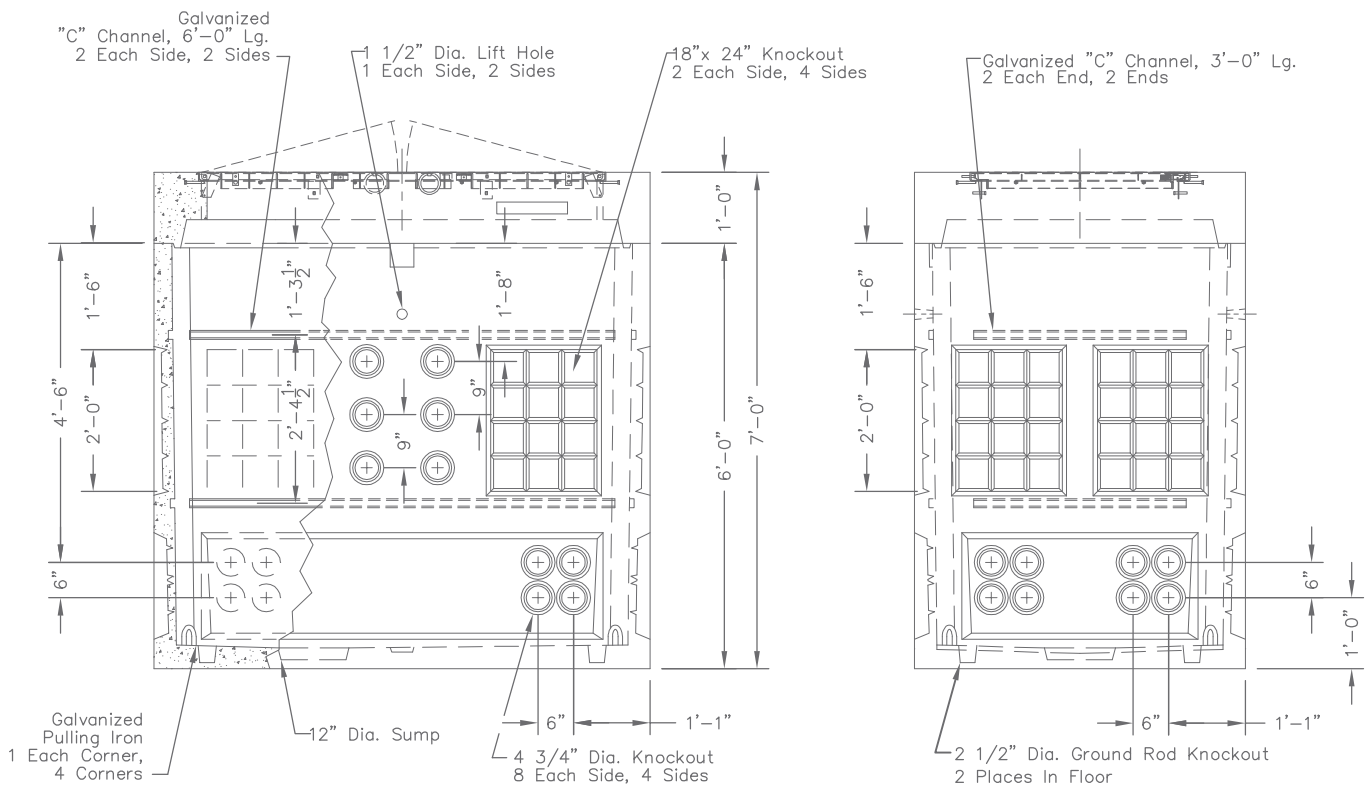
**FOR DETAILS, SEE REVERSE>>**

Items Shown Are Subject To Change Without Notice  
Issue Date: April 2016

# 577-LA



**PLAN VIEW**



**SECTION AA**

**END VIEW**

SCALE: 3/8" = 1'-0"