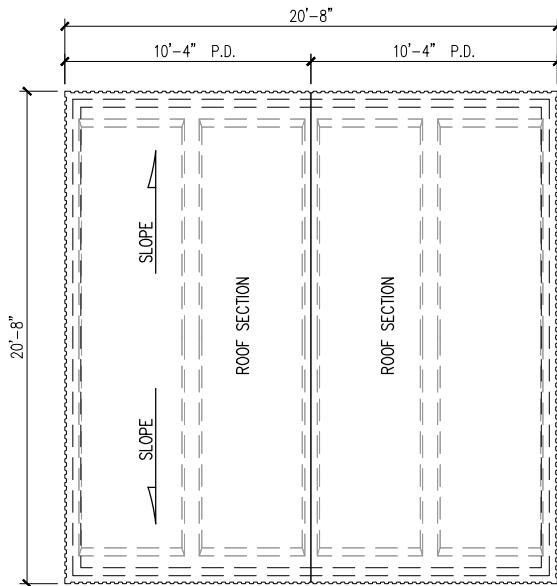
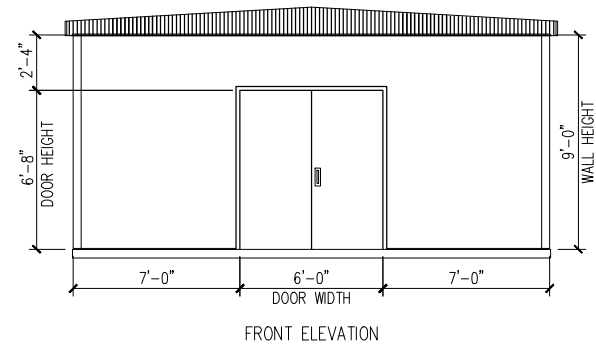


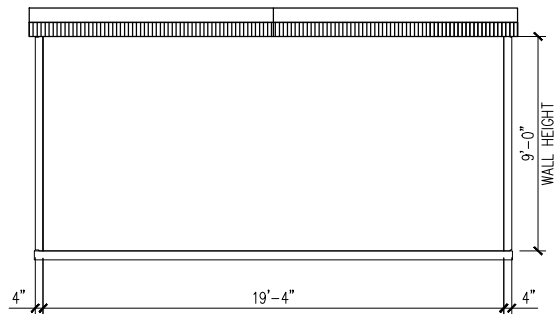
FLOOR PLAN



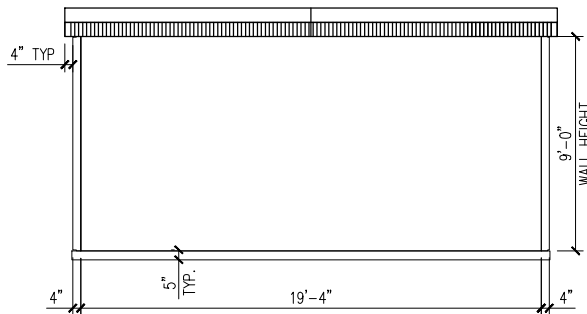
ROOF PLAN



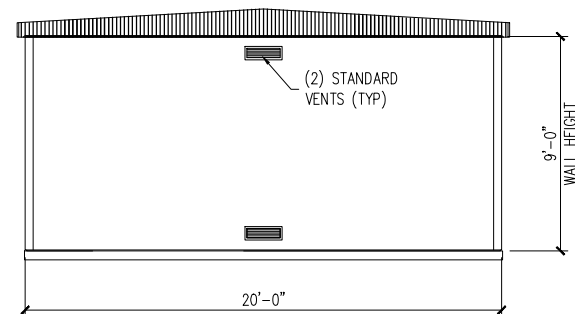
FRONT ELEVATION



RIGHT ELEVATION



LEFT ELEVATION



BACK ELEVATION

NOTE: FINISH OPTIONAL, VARIOUS FINISHES ARE AVAILABLE

- EASI-BRICK
- EXPOSED AGGREGATE
- BROOM
- OTHER: \_\_\_\_\_

- GENERAL NOTES:
1. ALL REQUIRED OPENINGS FOR ELECTRIC, MECHANICAL, LOUVERS, ETC. MUST BE SIZED AND LOCATED BY BUYER ON THIS DRAWING (OPENING SIZES AND LOCATIONS MAY HAVE TO BE ALTERED IF THEY INTERFERE WITH CONNECTIONS OR REINFORCING)
  2. ALL VIEWS ARE FROM EXTERIOR
  3. A SIGNED COPY MUST BE RETURNED BEFORE BUILDING CAN BE RELEASED FOR PRODUCTION

MESSAGE CENTER	
BUILDING FINISH	TO BE SELECTED
BUILDING STAIN	-
DOOR COLOR	-
BUILDING WEIGHT	-
CUSTOMER APPROVAL	
APPROVED BY:	DATE:

BUILDING LAYOUT

DATE	DESCRIPTION	INT. REV.

PROJECT: 20'x20'9" STD EASI-SPAN BUILDING  
 ADDRESS \_\_\_\_\_  
 CITY STATE \_\_\_\_\_  
 CONTRACTOR-CONTRACTOR \_\_\_\_\_

BUILDING LAYOUT
JOB # _____
DRAWN BY WCR
CHECK BY ESW
ISSUE DATE 04.11.14
SHEET LAYOUT