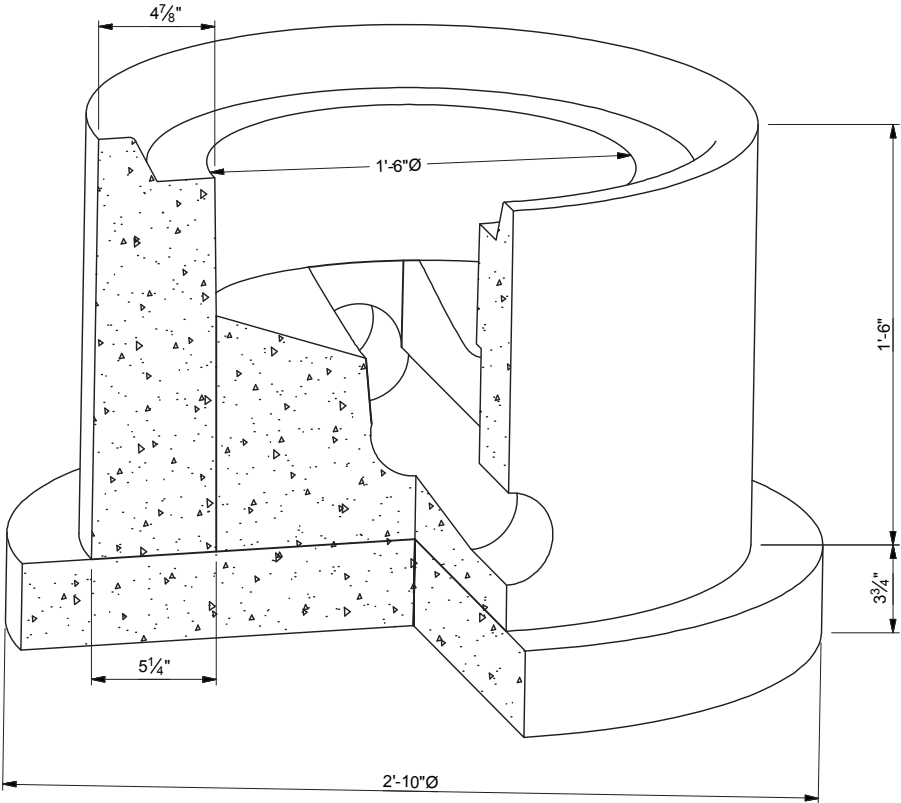


**18Ø SW Body**

Weight - 993 Lbs.  
 Item# 1241023 for 4" PVC Coupling  
 Item# 1241024 for 6" PVC Coupling



**Oldcastle Precast is not Responsible for Water Testing Over 1" Above Roof Slab**

SCALE 1 1/2"=1'-0"



1100 Heritage Parkway, Mansfield, Texas 76063  
 Phone: (817) 453-1054 Fax: (817) 453-4017

**SWØ-18**

FILE NAME: 260EECSW-18\_F.dwg

ISSUE DATE: DECEMBER, 2016

www.oldcastleprecast.com

**18"Ø x 1'-6" I.D.**  
**Standard w/Invert for Fort Worth & Arlington Only**  
**Sample Well**

Copyright © 2016 Oldcastle® Precast, Inc.