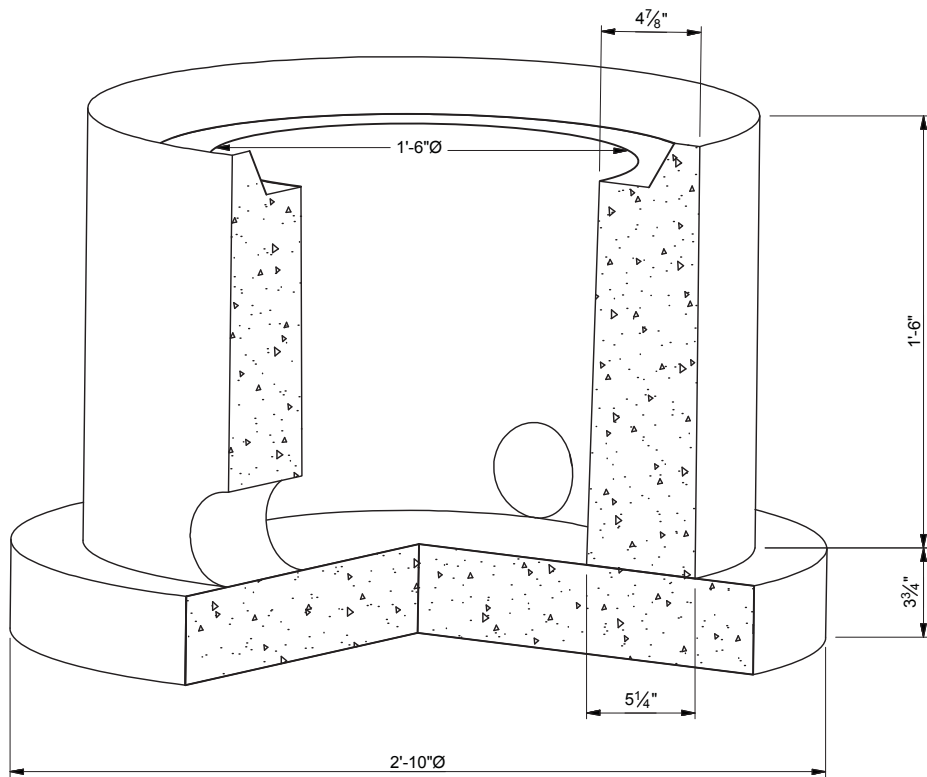


18Ø SW Body

Weight - 993 Lbs.
Item# 1241021 for 4" PVC Coupling
Item# 1241022 for 6" PVC Coupling



**Oldcastle Precast is not
Responsible for Water
Testing Over 1" Above
Roof Slab**

SCALE 1 1/2"=1'-0"



1100 Heritage Parkway, Mansfield, Texas 76063
Phone: (817) 453-1054 Fax: (817) 453-4017

SWØ-18

FILE NAME: 260EECSW-18_F.dwg

ISSUE DATE: DECEMBER, 2016

www.oldcastleprecast.com

**18"Ø x 1'-6" I.D.
Standard
Sample Well**

Copyright © 2016 Oldcastle® Precast, Inc.