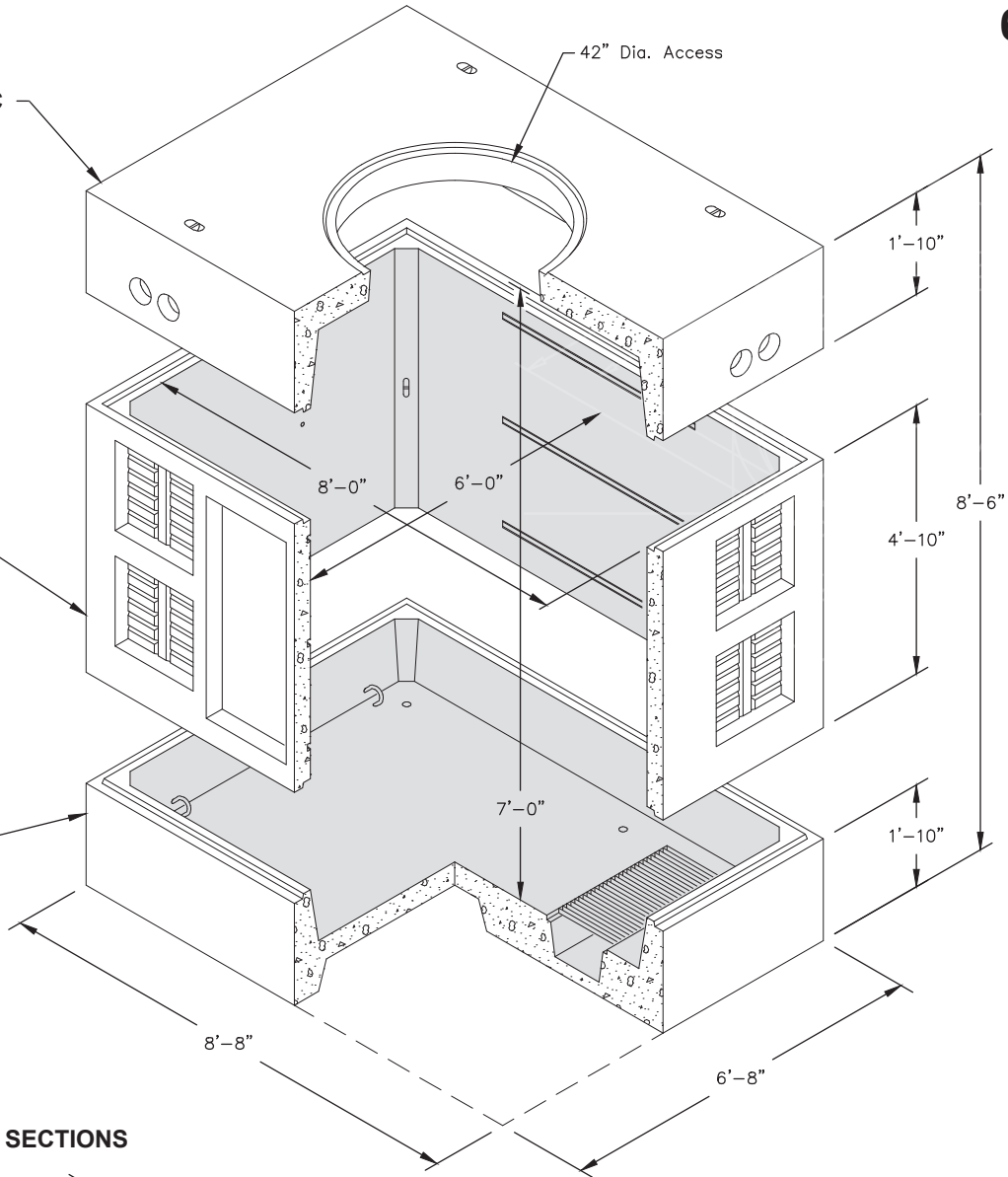


# 687-LA

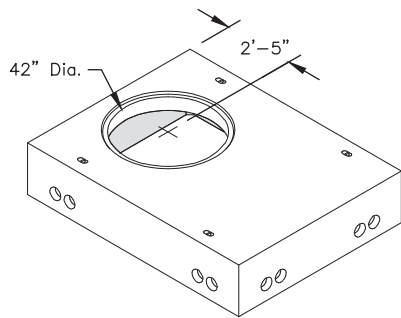
**TOP SECTION**  
No. 687-TL-42C  
6,100 lbs.

**VAULT**  
No. 687-ML  
5,800 lbs.

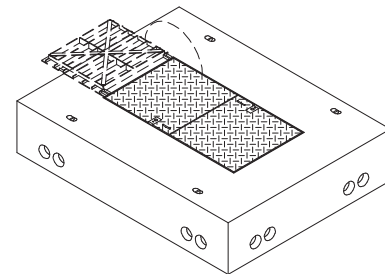
**BASE**  
No. 687-BL  
7,300 lbs.



**OPTIONAL TOP SECTIONS**



ROUND ACCESS OPENING  
No. 687-TL-42E  
6,100 lbs.



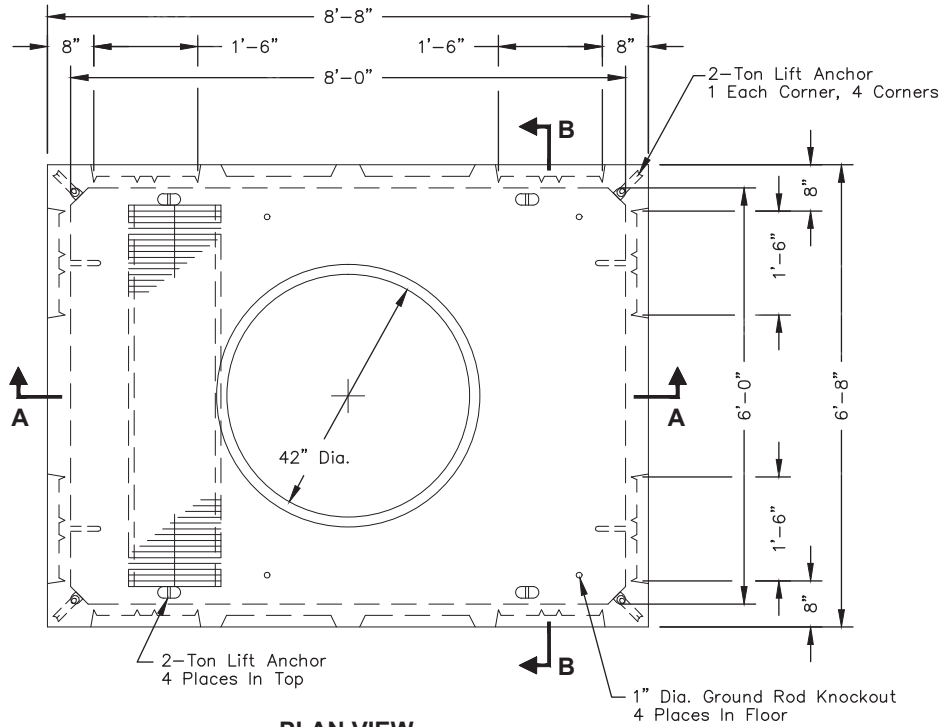
LOCKING STEEL COVERS  
No. 687-TL-2-332P  
5,700 lbs.

Non Skid Covers Available

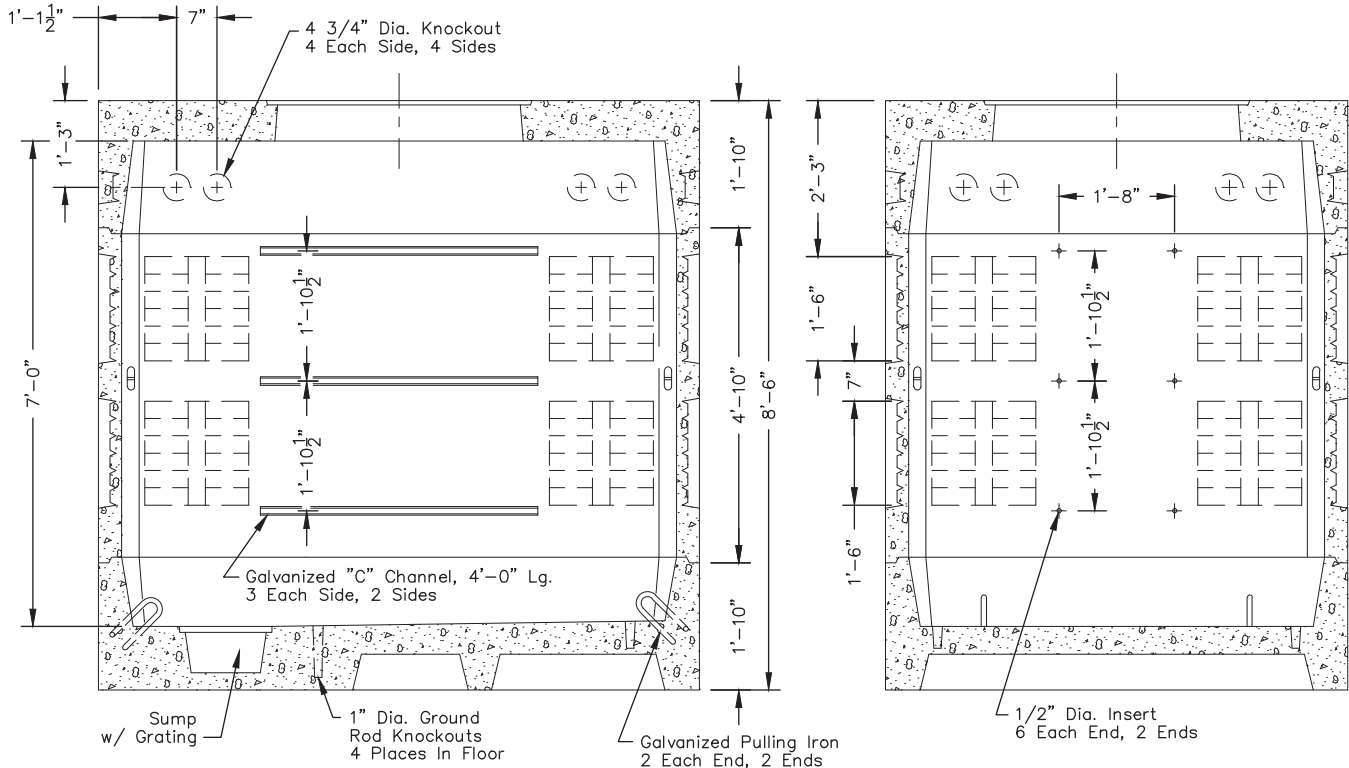
**FOR DETAILS, SEE REVERSE>>**

Items Shown Are Subject To Change Without Notice  
Issue Date: April 2016

**687-LA**



**PLAN VIEW**



**SECTION AA**

**SECTION BB**

SCALE: 3/8" = 1'-0"